

# **Powr-Flite®**

**COMMERCIAL FLOOR CARE EQUIPMENT**

## **WET/DRY VACUUM Models PF54**

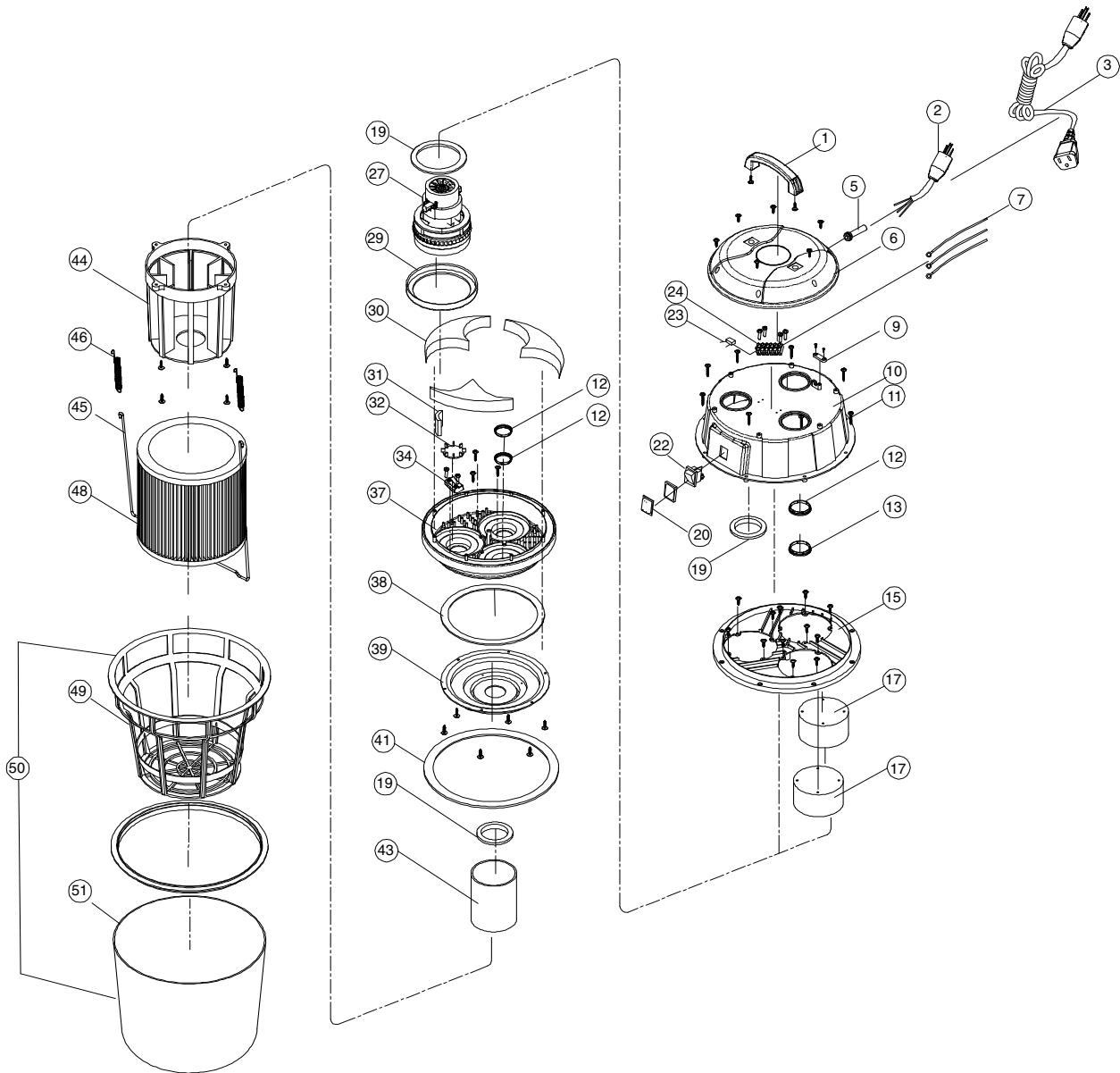


### **PARTS**

Equipment must be operated, serviced and maintained in accordance with the manufacturer's instructions.

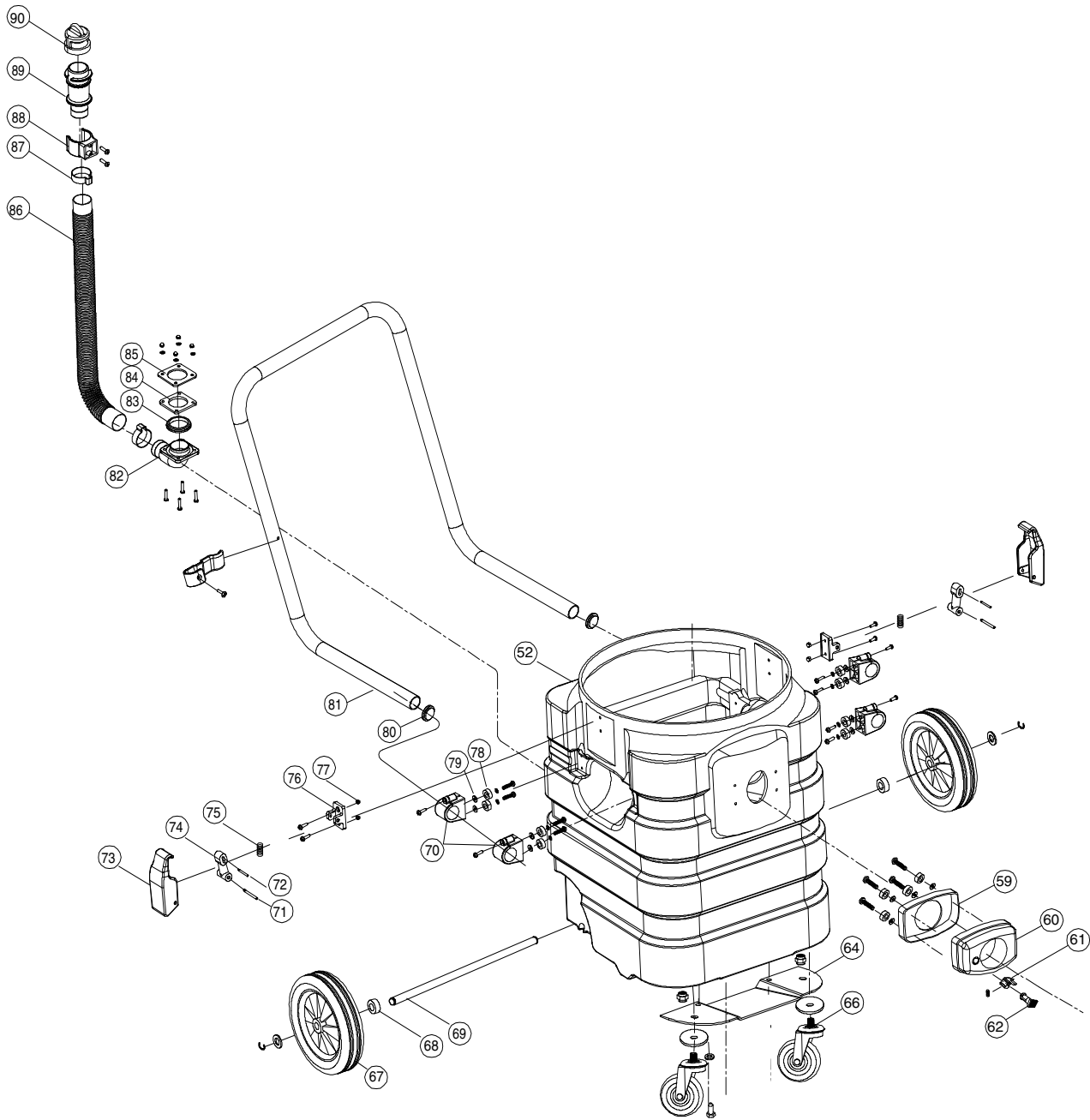
**Save These Instructions**

## Model PF54 Parts



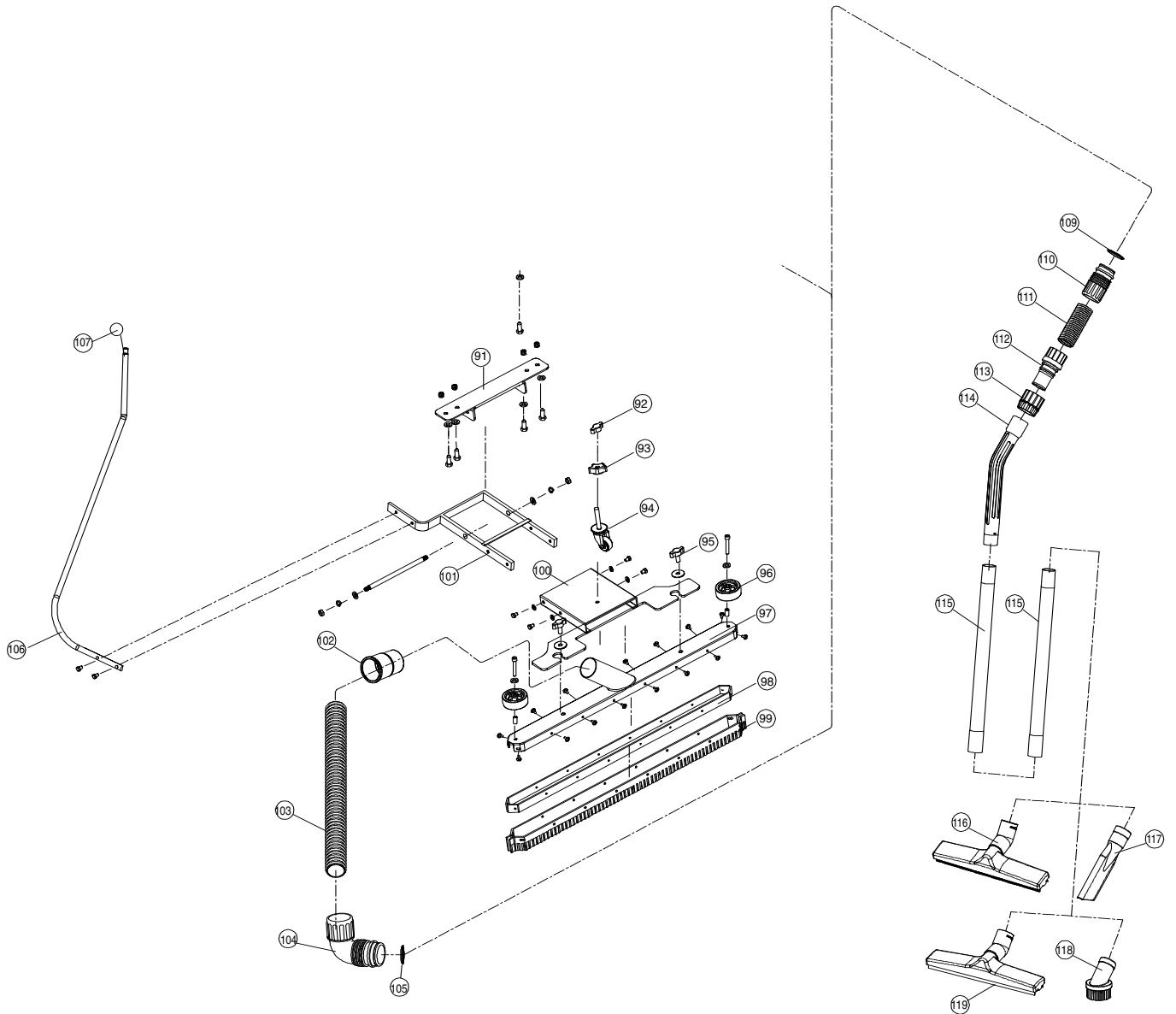
ref #	item #	description	ref #	item #	description
1	WD20	HANDLE	29	WD68	MOTOR GASKET
2	WD66C	POWER CORD	30	WD70	SPONGE
3	WD66	EXTENSION CORD	31	WD69	SQUARE SPONGE
5	WD34	CORD PROTECTOR	32	WD85	REAR WHEEL PLATE
6	WD65	TOP COVER	34	WD166	PLATE B
7	WD15W	MOTOR CONNECTION WIRE	37	WD87	HOUSING BASE
9	WD17	WIRE PLATE	38	WD201	GASKET
10	WD16	MIDDLE SEAT	39	WD10	BASE COVER
12	WD82	LOWER BASE BLOCK	41	WD165	GASKET
13	WD83	TOP BLOCK	43	WD9	FLOAT
15	WD14B	MOTOR SEAT	44	WD8	FRAME
17	WD84	BLOCKER	46	WD37	SPRING
19	WD53	GASKET	47	WD35	HOOK
22	WD67	POWER SWITCH	48	WD36	PAPER FILTER
23	WD206	CAPACITOR	49	WD7	FILTER FRAME
24	WD207	TERMINAL BLOCK	50	WD3	FILTER ASSY
27	WD15	MOTOR	51	WD148	FABRIC

## Model PF54 Parts



ref #	item #	description	ref #	item #	description
52	WD120	TANK	76	WD128	CLIP BASE
59	WD50	RUBBER WASHER	77	WD44	HEX NUT
60	WD45	SUCTION COUPLER	78	WD202	WASHER
61	WD86	BUTTON BASE	79	WD77	RUBBER WASHER
62	WD46	BUTTON	80	WD133	COVER
64	WD167	WHEEL MOUNT BRACKET	81	WD132	HANDLE
66	WD123M	FRONT WHEEL	82	WD141	BEND CONNECTOR
67	WD124M	REAR WHEEL	83	WD187	BOTTOM SEAL
68	WD136	WHEEL COVER	84	WD188	TOP SEAL
69	WD125	AXEL	85	WD189	FIXER PLATE
70	WD121	HOLDER	86	WD143	HOSE
71	WD131	CLIP PIN	87	WD190	CLAMP
72	WD129	CLIP PIN	88	WD146	HOOK
73	WD63	CLIP	89	WD144	CONNECTOR B
74	WD127	CLAMP HOLDER	90	WD145	TOP COVER
75	WD52	SPRING			

# Model PF54 Parts



ref #	item #	description
91	WD168	U-SHAFT
92	WD169	BUTTON
93	WD170	FIXED NUT
94	WD171	ADJUSTED WHEEL
95	WD172	BUTTON
96	WD173	WHEEL
97	WD174	SQUEEGEE BODY
98	WD175	BLADE BRACKET
99	WD176	BLADE
100	WD177	FIXED PLATE 2
101	WD179	PEDAL BRACKET
102	WD180	CONNECTOR
103	WD181	HOSE
104	WD182	BEND CONNECTOR
105	WD183	SEAL

ref #	item #	description
106	WD184	ADJUSTER LEVER
107	WD186	ADJUSTER LEVER KNOB
109	WD191	GASKET
110	WD24	CONNECTOR
111	WD25	HOSE
112	WD26	CONNECTOR
113	WD27	FIXER
114	WD28	BEND CONNECTOR
115	WD29	EXTENSION WAND
116	WD112	BRUSH NOZZLE ASS'Y
117	WD32	CREVICE TOOL
118	WD33	ROUND BRUSH
119	WD30A	SQUEEGEE NOZZLE ASS'Y
	WD157	DRAIN HOSE ASS'Y
	FM100H	FRONT MOUNTED SQUEEGEE ASS'Y

## TROUBLE SHOOTING GUIDE

### Loss of Suction

#### CAUSE:

- 1) Tank full.
- 2) Dry filter assembly clogged.
- 3) Clogged hose or wand.
- 4) Tank rim is dented.
- 5) Loose or broken fan.
- 6) Motor not working.
- 7) Float not functioning.
- 8) Seal worn.

#### SOLUTION:

- 1) Empty Tank
- 2) Clean cloth filter.
- 3) Remove obstruction.
- 4) Replace tank.
- 5) Contact manufacturer or service center.
- 6) Contact manufacturer or service center.
- 7) Check to see if float moves freely or tank is full.
- 8) Replace seal.

### Motor is not running

#### CAUSE:

- 1) Broken switch.
- 2) Defective power cord.
- 3) Defective motor.

#### SOLUTION:

- 1) Contact manufacturer or service center.
- 2) Contact manufacturer or service center.
- 3) Contact manufacturer or service center.

### Dust blowing from unit when running

#### CAUSE:

- 1) Cloth filter dirty.
- 2) Cloth filter is torn.
- 3) Cloth filter is not installed.

#### SOLUTION:

- 1) Clean cloth filter.
- 2) Replace filter.
- 3) Install cloth filter, when vacuuming very fine dust,

### Water blowing from unit when running

#### CAUSE:

- 1) Tank is full of liquid.
- 2) Sudsy or foamy liquid is being picked up.

#### SOLUTION:

- 1) Empty tank.
- 2) Add defoamer to tank.

### *The Powr-Flite Limited Warranty*

The manufacturer warrants to the original purchaser that products manufactured are free from defects, provided such goods are installed, operated and maintained in accordance with written manuals or other instructions for a period of 1 year from date of purchase on workmanship, motor, and parts. In case you, as our customer, meet any trouble with your machine, contact a Powr-Flite representative, who will be happy to be of service to you and will take care of any warranty issues.

***Powr-Flite***  
**COMMERCIAL FLOOR CARE EQUIPMENT**

3101 Wichita Court  
Fort Worth, TX 76140  
800.880.2913