

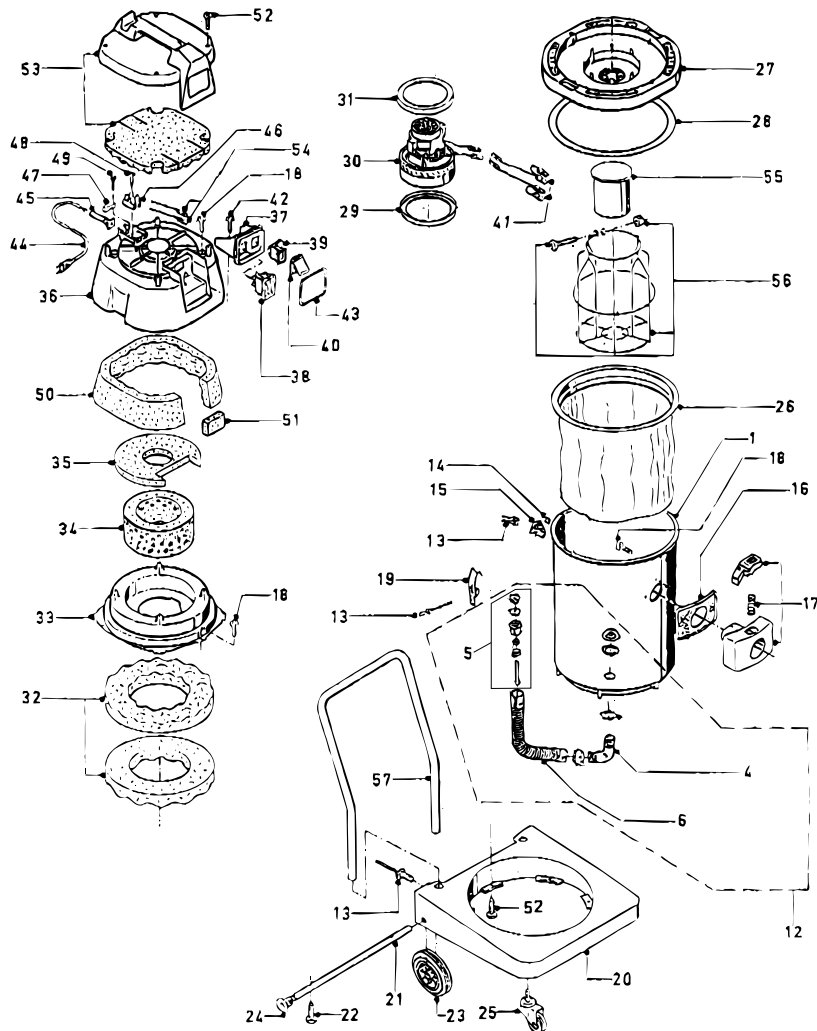
WET/DRY VACUUMS

Parts for PF42 and PF43

Heavy-Duty Tools



| order | description |
|--------------|---|
| CT65 | hose assembly with machine end fitting and hose end fitting |
| CT66 | wand |
| CT67 | rug tool |
| CT68 | floor tool |
| CT69 | squeegee tool |
| CT69R | blade for CT69 |



| ref# | order | description |
|------|--------------|----------------------------------|
| 1 | FD55 | tank (order FD56 for model PF43) |
| 4 | FD59 | 90° elbow for drain hose |
| 5 | FD60 | drain plug complete |
| 6 | FD61 | black flexible hose |
| 12 | FD92 | tank drain set |
| 13 | FD71 | rivet |
| 14 | FD94 | nylon washer |
| 15 | FD95 | drain hose connection |
| 16 | FD27 | seal |
| 17 | FD26 | complete nylon intake |
| 18 | FD66 | screw |
| 19 | FD42 | lid/tank clamp |
| 20 | FD96 | wheel base dolly |
| 21 | FD97 | wheel axle |
| 22 | FD98 | axle screw |
| 23 | FD99 | rear wheel |
| 24 | FD150 | plug |
| 25 | FD102 | caster wheel |
| 26 | FD22 | complete filter unit |
| 27 | FD80 | motor base |
| 28 | FD47 | motor base seal |
| 29 | FD44 | bottom motor seal |
| 30 | 1970 | motor unit |
| 31 | FD81 | top motor seal |
| 32 | FD79 | insulator lower housing |
| 33 | FD78 | middle housing |
| 4 | FD77 | insulator middle housing |
| 35 | FD75 | insulator top motor cover |

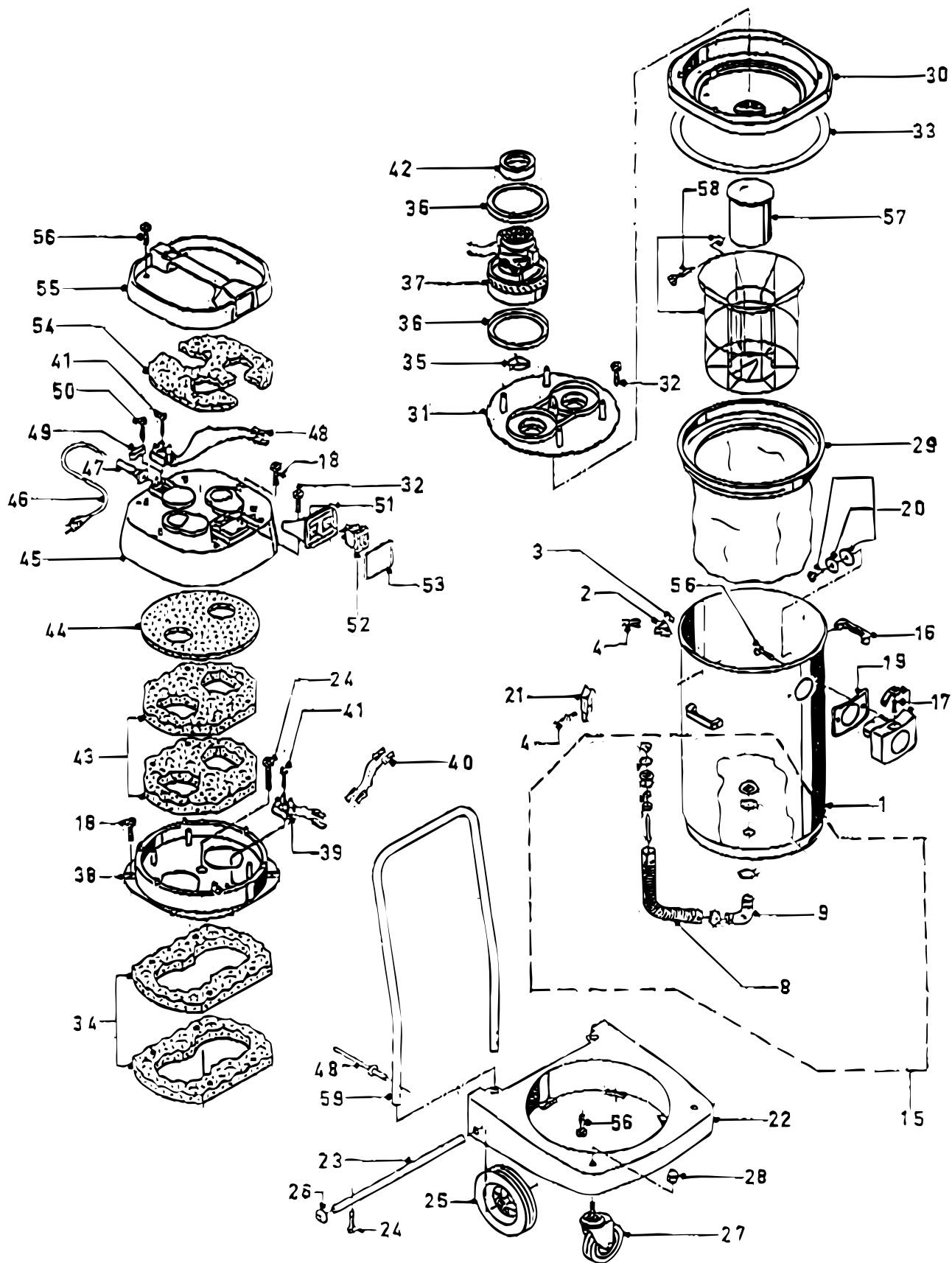
| ref# | order | description |
|------------------------|--------------|---|
| 36 | FD69 | motor cover |
| 37 | FD72 | switch housing |
| 38 | FD7 | switch |
| 39 | FD86 | socket |
| 41 | FD100 | motor wiring |
| 42 | FD66 | screw |
| 43 | FD73 | switchboard seal |
| 44 | FD68 | 16/2 30 ft cord |
| 45 | FD8 | strain relief |
| 46 | FD21 | connector block |
| 47 | FD20 | bridge cable lock |
| 48 | FD66 | tcc screw 3x20 sp |
| 49 | FD18 | zinked screw |
| 50 | FD74 | insulator motor cover |
| 51 | FD76 | insulator switch cover |
| 52 | FD66 | screw |
| 53 | FD65 | handle head |
| 54 | FD70 | wire connector |
| 55 | FD48 | complete float |
| 56 | FD51 | float cage |
| 57 | FD101 | handle |
| NOT ILLUSTRATED | | |
| | CT92 | PVC hose end for CT65 |
| | CT94 | ABS hose end for CT65 |
| | FD100 | motor wiring |
| | CT125 | brass insert on dolly for squeegee tool |
| | CT126 | screw for CT125 |
| | CT127 | washer for CT126 |

Fax Orders to 817.551.0719

Orders before 1 PM Ship The Same Day!

WET/DRY VACUUMS

Parts for PF44 and PF45



Call Toll Free 800.880.2913

Visit Our Website at www.powrflite.com

WET/DRY VACUUMS

Parts for PF44 and PF45

| ref# | order | description |
|------|--------------|-----------------------------|
| 1 | FD103 | tank (order FD104 for PF45) |
| 2 | FD95 | outlet hose connection |
| 3 | FD94 | nylon washer |
| 4 | FD71 | rivet |
| 5 | FD60 | drain plug complete |
| 8 | FD61A | flex hose drain for PF44 |
| | FD61B | flex hose drain for PF45 |
| 9 | FD59 | elbow for drain hose |
| 15 | FD105 | tank drain unit |
| 16 | FD106 | nylon handle |
| 17 | FD26 | complete nylon intake |
| 18 | FD66 | screw |
| 19 | FD27 | intake seal |
| 20 | FD107 | handel screw set |
| 21 | FD42 | clamp assembly |
| 22 | FD108 | dolly |
| 23 | FD97 | wheel axle |
| 24 | FD98 | multi-screw |
| 25 | FD99 | rear wheel |
| 26 | FD150 | plug |
| 27 | FD151 | front caster wheel |
| 28 | FD28 | blind nut |
| 29 | FD109 | filter unit |
| 30 | FD110 | lower housing |
| 31 | FD111 | motor base |
| 32 | FD66 | screw |
| 33 | FD112 | powerhead seal |
| 34 | FD113 | insulator lower |
| 35 | FD114 | valve |
| 36 | FD44 | motor seal |
| 37 | 1970 | motor unit |

| ref# | order | description |
|------------------------|--------------|---|
| 38 | FD115 | middle housing |
| 39 | FD116 | 2 pole clamp |
| 40 | FD117 | pigtail |
| 41 | FD61 | screw |
| 42 | FD118 | seal |
| 43 | FD119 | insulator middle |
| 44 | FD120 | insulator upper |
| 45 | FD121 | motor cover |
| 46 | FD68 | power cord |
| 47 | FD8 | strain relief |
| 48 | FD128 | feed cable |
| 49 | FD20 | cable clamp |
| 50 | FD18 | screw |
| 51 | FD122 | switch housing |
| 52 | FD7 | bipolar switch |
| 53 | FD73 | switchboard seal |
| 54 | FD123 | top insulator |
| 55 | FD124 | handle head |
| 56 | FD66 | screw |
| 57 | FD48 | float |
| 58 | FD125 | float cage |
| 59 | FD126 | steel handle |
| NOT ILLUSTRATED | | |
| | CT92 | PVC hose end for CT65 |
| | CT94 | ABS hose end for CT65 |
| | FD100 | motor wiring |
| | CT125 | brass insert on dolly for squeegee tool |
| | CT126 | screw for CT125 |
| | CT127 | washer for CT126 |

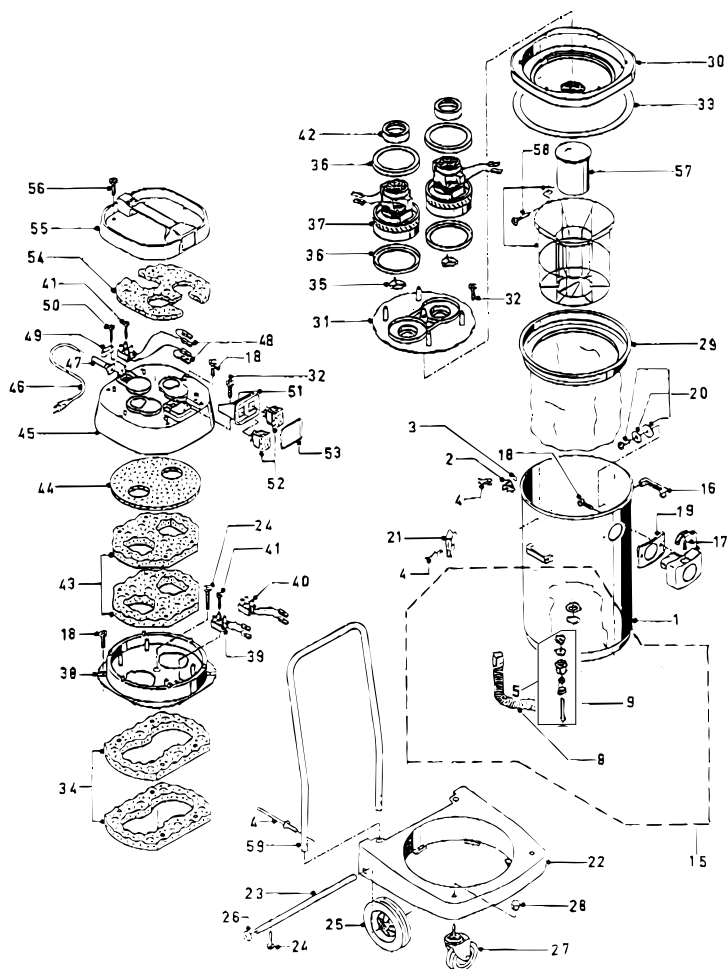
Heavy-Duty Tools

The image displays several heavy-duty tools used for vacuum maintenance. On the left, two long, curved metal wands are shown, labeled CT66. In the center, there are three different types of floor tools: a rug tool (CT67), a floor tool (CT68), and a squeegee tool (CT69). On the right, a coiled black hose assembly with machine end fitting and hose end fitting is shown, labeled CT65.

| order | description |
|--------------|---|
| CT65 | hose assembly with machine end fitting and hose end fitting |
| CT66 | wand |
| CT67 | rug tool |
| CT68 | floor tool |
| CT69 | squeegee tool |
| CT68R | floor tool fitting |
| CT69R | replacement squeegee blade for CT69 |

WET/DRY VACUUMS

Parts for PF47



Heavy-Duty Tools

order description

CT130 hose assembly with machine end fitting and hose end fitting

CT110 hose only

CT111 dust tool

CT112 crevice tool

CT115 universal tool

CT114 single bend wand

| ref# | order | description |
|------|--------------|--------------------------|
| 1 | FD104 | steel tank |
| 2 | FD95 | outlet hose connection |
| 3 | FD94 | nylon washer |
| 4 | FD71 | rivet |
| 5 | FD60 | drain plug complete |
| 8 | FD61B | flex hose drain |
| 9 | FD59 | 90° elbow for drain hose |
| 15 | FD105 | tank drain set |
| 16 | FD106 | nylon handle |
| 17 | FD26 | complete nylon intake |
| 18 | FD66 | screw |
| 19 | FD27 | intake seal |
| 20 | FD107 | handle screw set |
| 21 | FD42 | clamp assembly |
| 22 | FD108 | dolly |
| 23 | FD97 | wheel axle |
| 24 | FD98 | multi-screw |
| 25 | FD99 | rear wheel |
| 26 | FD150 | plug |
| 27 | FD151 | front caster wheel |
| 28 | FD28 | nut |
| 29 | FD109 | filter |
| 30 | FD110 | motor base |
| 31 | FD111 | motor base |
| 32 | FD66 | screw |
| 33 | FD112 | powerhead seal |
| 34 | FD113 | insulator lower |
| 35 | FD114 | valve |
| 36 | FD44 | motor seal |
| 37 | 1970 | motor unit |
| 38 | FD115 | middle housing |
| 39 | FD116 | 2 pole clamp |
| 40 | FD127 | red 2 pole clamp |

| ref# | order | description |
|------------------------|--------------|---|
| 41 | FD67 | screw |
| 42 | FD118 | seal |
| 43 | FD119 | insulator middle |
| 44 | FD120 | insulator upper |
| 45 | FD121 | motor cover |
| 46 | FD68 | power cord |
| 47 | FD8 | strain relief |
| 48 | FD128 | feed cable |
| 49 | FD20 | cable clamp |
| 50 | FD18 | screw |
| 51 | FD122 | switch housing |
| 52 | FD7 | rocker switch |
| 53 | FD73 | switch housing |
| 54 | FD123 | top insulator |
| 55 | FD124 | handle head |
| 56 | FD66 | screw |
| 57 | FD48 | complete float |
| 58 | FD125 | float cage |
| 59 | FD126 | steel handle |
| NOT ILLUSTRATED | | |
| | CT92 | PVC hose end for CT65 |
| | CT94 | ABS hose end for CT65 |
| | FD100 | motor wiring |
| | CT125 | brass insert on dolly for squeegee tool |
| | CT126 | screw for CT125 |
| | CT127 | washer for CT126 |
| | CT116 | rubber brush strip, CT115 |
| | CT117 | adjustable brush wheel, CT115 |
| | CT118 | wheel support, CT115 |
| | CT119 | hand wheel, CT115 |
| | CT120 | nylon brush and intake, CT115 |
| | CT128 | PVC machine hose end for CT130 |
| | CT129 | ABS attachment hose end for CT130 |

Call Toll Free 800.880.2913

Visit Our Website at www.powrflite.com