

WET/DRY VACUUMS

Parts for Commercial Vacs

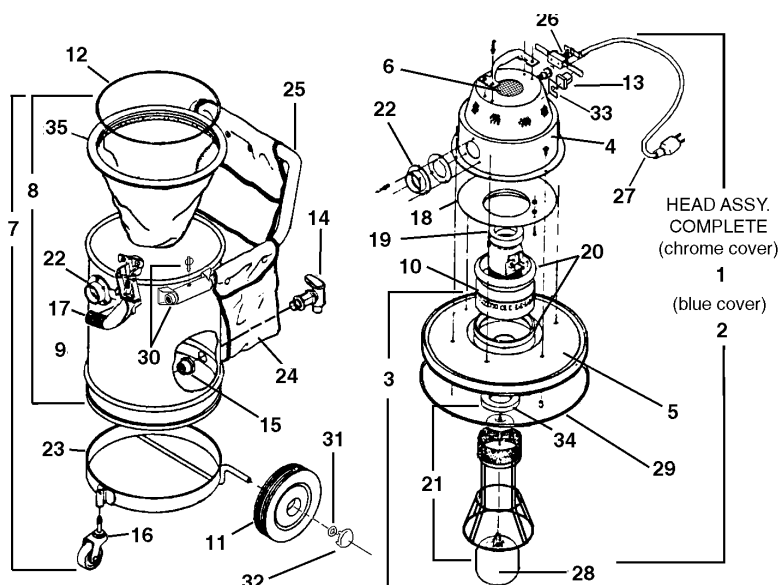
Powr-Flite Wet/Drys Vacuums 10 Gallon PF10, PF26, PF35, PF39, PF40

20 Gallon PF20, PF25, PF27

Hazardous Material Vacuums

10 Gallon PF35HM, PF39HM,

20 Gallon PF25HM, PF27HM



HEAD ASSEMBLIES

ref#	order	description
2	C8M	head assembly complete with blue cover and blower port, models PF10, PF26, PF39, PF40
	C81M	head assembly complete PF35SR
	C82M	head assembly complete PF25SR
2	C15M	head assembly, complete with blue cover and blower port, models PF20, PF27
1	C84M	head assembly, complete with chrome cover and blower port, models PF25
1	C96M	head assembly, complete with chrome cover and blower port, models PF35
1	HM7	head assembly, model PF35HM

COVER ASSEMBLIES

ref#	order	description
3	C9M	blue cover assembly, complete with float cage, models PF10, PF26, PF39, PF40
4	C12M	top dome assembly with blower port and handle, all models
5	C16M	blue cover only, models PF20, PF27
3	C30M	chrome cover assembly, complete with float cage, models PF25
3	C42M	blue cover only, models PF10, PF26, PF39, PF40
6	C79M	blower screen (to direct air), all models
4	C83M	chrome cover only, models PF25
4	C97M	chrome cover assembly, complete with float cage, models PF35

CAN ASSEMBLIES

ref#	order	description
7	C39M	can assembly, complete with hardware and wheels, models PF20, PF27, PF27HM
7	C40M	can assembly, complete with wheels, dolly and handle, models PF10, PF26, PF39, PF39HM, PF40
8	C41M	can assembly, with hardware and handle, no dolly or wheels, models PF10, PF26, PF39, PF39HM, PF40

CAN ASSEMBLIES

Cont.

ref#	order	description
7	C91M	20 gauge stainless can assembly, complete with hardware and wheels, models PF25, PF25HM
7	C99M	20 gauge stainless can assembly, complete with hardware and wheels, models PF35, PF35HM

COMPONENT PARTS

ref#	order	description
10	1969	lamb motor, 220V
10	1987	lamb motor, 110V
	AA140	1-1/4" machine end hose coupling
	AA141	1-1/2" machine end hose coupling
	AA150B	1-1/2" x 10' hose, complete, blue
	AA153	1-1/4" x 7' hose, complete grey
	AA170	50' roll 1/4" x 7/8" gasket
	SW140	power head plug, black 13" 18/3
11	C5M	wheels
12	C10M	filter ring for 10 gallon filter
12	C11M	filter ring for 20 gallon filter
13	PX49	receptacle, power nozzle
	C20M	vinyl coated wire hose cage, 10 gallon units
14	C21M	plastic drain valve
15	C22M	drain valve flange
16	C23M	caster
	C25M	clamp assembly
	C26M	vinyl coated wire hose cage, 20 gallon units
18	C27M	motor adaptor
19	C28M	top motor gasket
20	C29M	motor gasket
21	C31M	float cage assembly
22	C32M	inlet fitting
23	C34M	dolly body, 20 gallon units
24	C35M	tool caddy, 20 gallon units
25	C36M	2 position push handle for 20 gallon unit
26	SW1507	toggle switch
27	C38M	line cord
31	C801M	axle washer

CONTINUED ON NEXT PAGE

WET/DRY VACUUMS

Parts for Commercial Vacs / Squeegee, Wands

ref#	order	description	each
23	C43M	dolly body, 10 gallon units	34.37
	C51M	gasket for AA140, AA141	1.65
29	C54M	top seal gasket	3.86
28	C70M	float ball only	5.06
30	C75M	pin and ring assembly for 2 position handle	4.96
	C823M	side handle bracket	10.66
	C86M	panel nut for C5M	.57
32	C87M	hub cap for C5M	1.79
	C89M	retainer clip for C17M	.89
	C90M	strain relief	.93
	C92M	tool caddy, 10 gallon units	25.20
34	C94M	gasket for float ball	2.52
25	C98M	2 position push handle, 10 gallon units	36.11
	CT10	1-1/2" concrete tool, 12" wide mouth picks up debris quick and easy; use with CT9, CT14	24.27
	CT11	1-1/2" tapered dusting brush, cast aluminum, 3" wide	16.16
	CT11R	dust brush refill for CT11	6.45
	CT12	1-1/2" overhead pipe tool, 4" to 6" diameter, use with CT6, CT7, CT15, or CT24 wands	49.81
	CT13	1-1/2" crevice tool, 15" long, polished chrome finish	5.36
	CT30	floor tool, complete, 14"	(2)20.90 21.97
	CT31	squeegee tool, complete, 14"	(2)20.49 21.54
	CT32	replacement floor brush for CT30	6.38
	CT33	replacement squeegee blade for CT31	3.51
	CT34	rug tool, complete, 14"	(2)22.41 23.56
	CT35	replacement rug shoe for CT34	14.03
	CT39	replacement brass bristle	53.11
	CT41	1-1/4" squeegee tool	12.76
	CT45	1-1/2" metal upholstery tool	(10)3.53 (5)3.81 4.07
	CT51	double blade squeegee tool, complete, 14"	37.68
	CT52	claw tool less brush strip, for vacuuming of asbestos (comes with hazardous duty vacs)	14.57
	CT53	1-1/2" x 11" crevice tool (comes with hazardous duty vacs)	2.56
	CT54	replacement squeegee blades for CT51	10.00
	D407B	rug tool complete, 1-1/4" gray	(5) 3.49 3.79
	D408B	floor tool complete, 1-1/4" gray	5.19
	D409B	upholstery tool, 1-1/4" gray	1.72
	D410B	dusting brush, 1-1/4" gray	(10)2.83 3.13
	D411B	crevice tool, 1-1/4" gray	(10).60 .66
	E529	2-way, deluxe rug tool, 1-1/4"	22.64
	H818	10 gallon cloth filter with gasket	18.42
	H819	20 gallon cloth filter with gasket	20.44
	HM1	2-ply, 5-pak, totally enclosed paper bag for 10 gallon units	27.62
	HM2	2-ply, 5-pak, totally enclosed paper bag for 20 gallon units	31.97
	HM3	intermediary glass filter, 2-pak, for 10 gallon units	22.41
	HM4	intermediary glass filter, 2-pak, for 20 gallon units	26.89
	HM5	14" HEPA filter	388.85
	HM6	16" HEPA filter	401.63
	399PB	paper bag with elastic top, 5-pak	(25)6.56 (12)6.68 6.80
	HMK1	conversion kit for wet pick up recovery, 20 gallon units	187.57
	HMK2	conversion kit for wet pick up recovery, 10 gallon units	187.57
	C101M	4562 5pk paper bag for 20 gallon units	16.00

WANDS

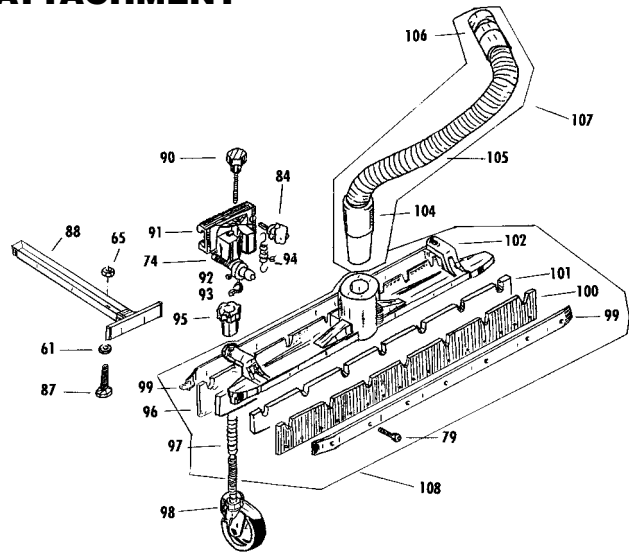
order	description	each
CT14	1-1/2"x54" 2 piece chromed wand set	(2)28.17 31.23
CT24	1-1/2"x54" 2 piece aluminum wand set*	35.44
C24M	lock ring for above wands*	(10).65 .68
C93M	screw on coupling for above wands, except CT7*	3.59
L1207	1-1/4" slotted wand, straight	3.42
L1221	1-1/4" curved attachment end with swivel and suction control	(10)2.90 3.09

*Does not come with wet/dry vacuums.

PARTS TO FIT PF86 POWR-JET SPRAYER

order	description	each
PS2A	replacement spray tip for PS2 wand	3.58
PC5	quick disconnect	6.00
PS8	pump #2100-595, 45 PSI	77.79
PS17	wand seat, brass and teflon	2.27

CT100, CT200 SUPER SQUEEGEE ATTACHMENT



ref#	order	description	each
	CT200	squeegee tool, complete fits 20 gallon	131.58
	CT100	squeegee tool, complete fits 12 gallon	131.58
61	CT72	washer, diam. 6 x 24	.15
65	CT73	nut M6	.15
74	CT74	screw M8 x 35	1.04
79	CT75	screw M5 x 26	.15
84	CT76	knob model A3/62 M6 x 20	2.08
87	CT77	screw TC M6 x 10	.34
88	CT78	"T" iron for CT70	26.55
88	CT108	"T" iron for CT100	26.02
88	CT109	"T" iron for CT200	26.02
90	CT79	knob	2.23
91	CT80A	slider	23.40
92	CT81A	bushing	3.34
93	CT82A	plastic ring with hook	2.01
94	CT83A	spring	.86
95	CT84	knob	6.17
96	CT85	rear squeegee blade, gray	3.78
97	CT86	spring 1, 2 x 30	3.73
98	CT87	wheel, complete	2.55
99	CT88	squeegee blade bracket	2.31
100	CT89	front squeegee blade (gray with holes)	4.46
101	CT90	spacer rubber (black)	3.68
102	CT91	frame for squeegee	48.62
104	CT92	hose end (ABS diam. 40)	3.05
105	CT93	hose only (diam. 40)	5.10
106	CT94	hose end (PVC diam. 40)	3.34
107	CT95	hose, complete with hose ends	11.43
108	CT96	squeegee body and blades	82.98
	NOT ILLUSTRATED		
	CT98	set screw for CT81A	.35