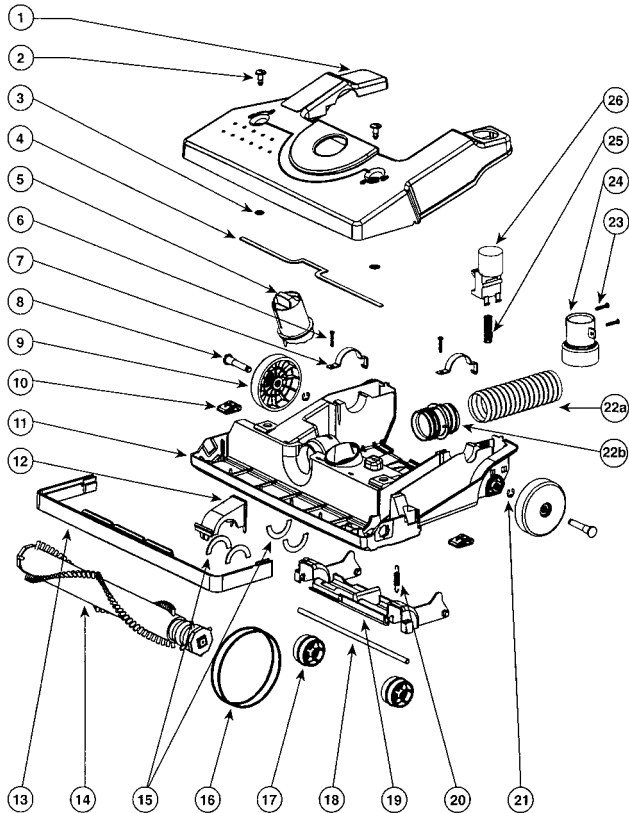


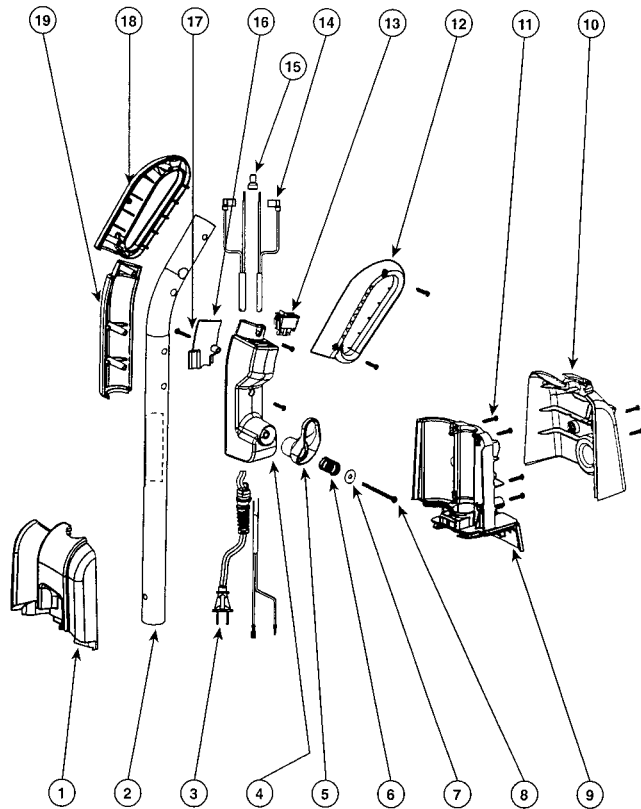
VACUUMS

Parts for Upright Models

PARTS TO FIT PF80HF



ref#	order	description
1	ER60249-1	hood assembly
2	ER60940	fastener - 1/4 turn - pkg of 10
3	ER60941	retainer - 1/4 turn - pkg of 10
4		gasket - base
5	ER60942	height adjustment knob
6	ER53197-1	screw-pkg of 10
7	ER38420-2	clamp
8	ER38590	rear axle
9	ER39260A	rear wheel
10	ER60939	receptacle - pkg of 10
11	ER60938-1	base assembly*
12	ER252	belt cap assembly
13	ER15591	furniture guard
14	ER60909-2	disturbulator assembly
15	ER57569	gasket - belt cap
16	ER726	belt-pkg of 2
17	ER39173	front wheel
18	ER58206-1	wheel axle
19	ER218	wheel carriage
20	ER256	spring - pkg of 10
21	ER54432	retaining ring-pkg of 10
22a	ER38479-4	compression hose
22b	ER219	base adapter
23	ER53197-1	screw - pkg of 10
24	ER27468D	hose cuff
25	ER60133	compression spring - pkg of 5
26	ER264	handle release

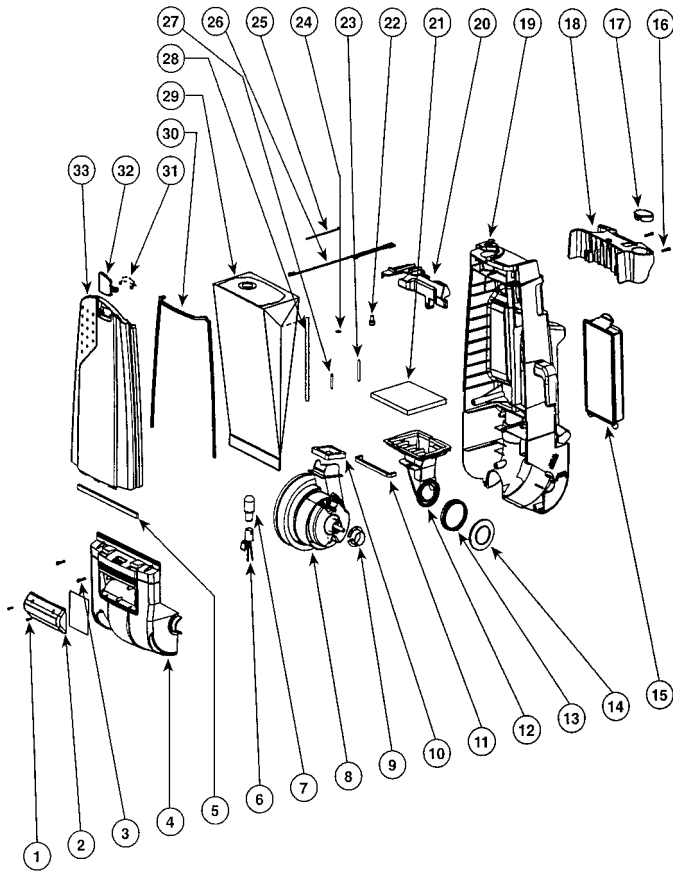


ref#	order	description
1	ER822	front handle housing
2	ER823	handle
3	ER841	supply cord assembly
	ER873	strain relief bushing
4	ER843	switch housing - left hand
5	ER844	cord retainer
6	ER60945	spring (pkg of 10)
7	ER847	washer (pkg of 10)
8	ER848	screw (pkg of 10)
9	ER876	rear handle housing
10	ER877	handle cover
11	ER53197-1	screw (pkg of 10)
12	ER878	grip - left handle
13	ER879	rocker switch
14	ER992	upper cord assembly
15		splice (pkg of 10)
16	ER993	wiring shield
17		screw (pkg of 10)
18	ER878B	grip - right handle
19	ER994	switch housing - right hand

NOT ILLUSTRATED

order	description
ER221	hose adapter
ER60920-2	hose assembly
ER60424	telescopic wand assembly
ER37057A-3	hose coupling
ER179	crevice tool
ER997	upholstery nozzle assembly
ER60290-1	dusting brush

PARTS TO FIT PF80HF



ref#	order	description
1		screw - pkg of 10
2	ER789	lens
3	ER53197-1	screw - pkg of 10
4	ER790	motor cover assembly*
5	ER791	bag gasket - bottom
6	ER792	light socket
7	ER793	headlight
8	ER60943-1	hepa motor assembly*
9	ER794	grommet
10	ER795	motor exhaust gasket
11	ER796	air duct gasket
12	ER798	air duct
	ER28425	air duct grille - not illustrated
13	ER799	motor intake gasket
14	ER800	motor intake flange
15	ER804	filter assembly
16	ER53197-1	screw - pkg of 10
17	ER806	tool caddy bushing
18	ER807	tool caddy
19	ER809	rear housing
20	ER814	flange retainer
21	ER39334	secondary filter
22		wire splice - pkg of 5
23		not on this model
24		nut-pkg of 10
25		cable tie
26	ER815	thermostat assembly
27		adaptor tube
28		tube - 7"
29	ER405	bag - disposable - pkg of 3
30	ER58505	bag cover gasket
31	ER816	latch spring
32	ER820	bag cover latch
33	ER821	bag cover assembly**

*includes items 1 & 2

**includes items 9 & 10 includes items 31 & 32