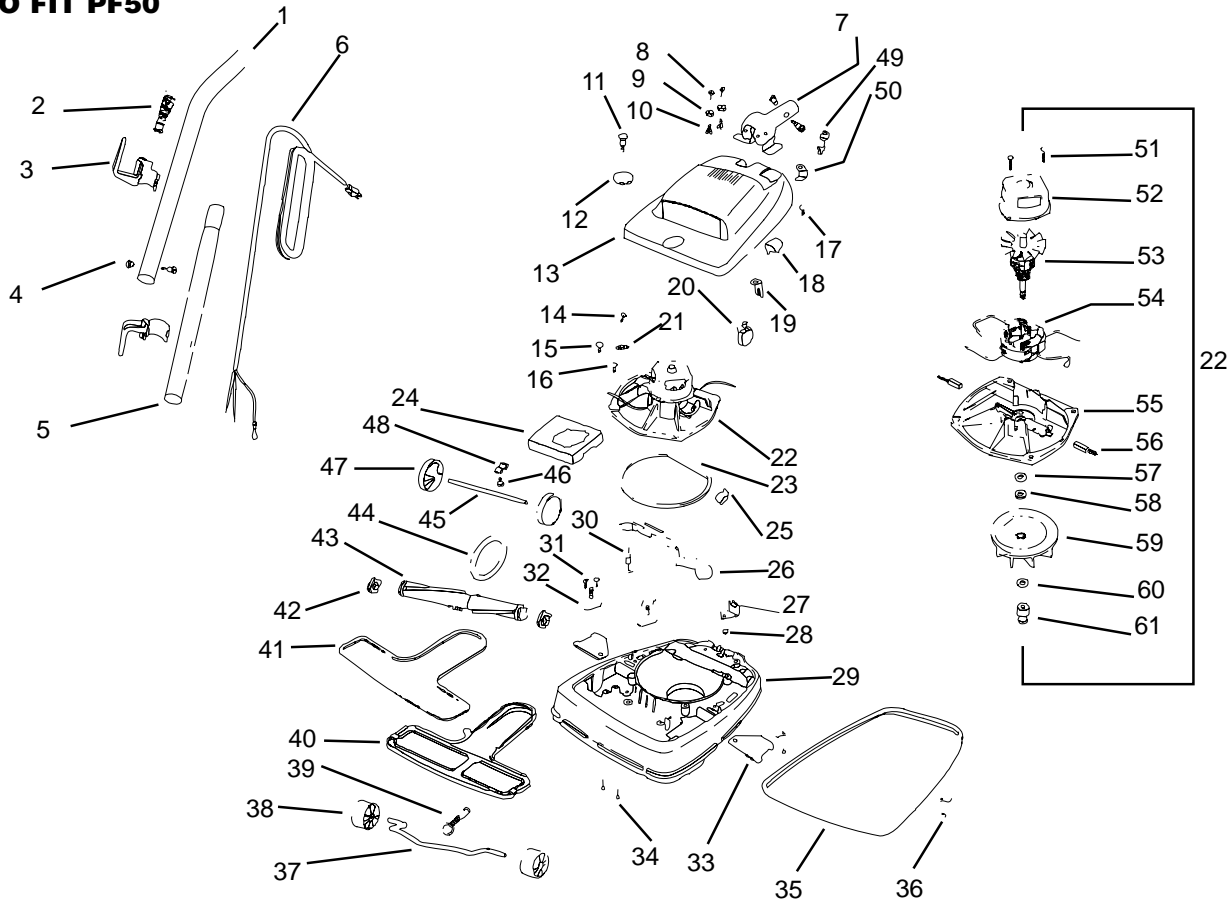


### PARTS TO FIT PF50



ref#	order	description
1	<b>ER199</b>	upper handle assembly
2	<b>ER198</b>	spring
3	<b>ER197A</b>	cord retainer set
4	<b>ER20</b>	screw and nut assembly
5	<b>ER200</b>	lower handle tube
6	<b>M1406</b>	cord
7	<b>ER135</b>	handle socket assembly
8	<b>ER325</b>	screw
9	<b>ER349</b>	nut
10	<b>ER351</b>	bolt
11	<b>ER205</b>	shoulder screw
12	<b>ER514</b>	knob assembly
13	<b>ER826</b>	hood and graphics assembly
14	<b>P6</b>	wire splice
15	<b>ER325</b>	motor screw
16	<b>ER305</b>	motor mtg. screw
17	<b>ER325</b>	screw
18	<b>ER885</b>	switch button
19	<b>ER884</b>	switch clip
20	<b>ER946</b>	switch assembly
21	<b>53833-2</b>	lock nut
22	<b>ER827</b>	motor assembly
23	<b>ER35</b>	motor seal gasket
24	<b>ER842</b>	air separator
25	<b>55015</b>	wire clip (2)
26	<b>ER2</b>	foot pedal
27	<b>ER127</b>	adapter retainer spring
28	<b>ER307</b>	screw
29	<b>ER829</b>	base assembly
30	<b>ER3</b>	foot pedal spring
31	<b>ER305</b>	clamp screw

ref#	order	description
32	<b>ER332</b>	clamp and screw assembly
33	<b>ER333</b>	wheel cover (2)
34	<b>ER679</b>	screw
35	<b>ER899</b>	furniture guard
36	<b>59.334</b>	furniture guard clip
37	<b>ER353</b>	front axle
38	<b>ER37</b>	front wheel
39	<b>ER308</b>	axle spring
40	<b>ER214</b>	bottom plate assembly
41	<b>ER133</b>	gasket
42	<b>ER390</b>	disturbulator cap
43	<b>ER828</b>	disturbulator replacement kit
44	<b>F631</b>	belt
45	<b>ER352</b>	rear axle
46	<b>ER307</b>	clip screw
47	<b>ER71</b>	rear wheel
48	<b>ER319</b>	axle clip
49	<b>ER331</b>	strain relief bushing
50	<b>ER886</b>	bushing bracket
51	<b>5313-1</b>	screw
52	<b>59.918</b>	housing assembly
53	<b>ER891</b>	armature and fan assembly
54	<b>ER872</b>	field assembly
55	<b>ER16</b>	motor base assembly
56	<b>ER15</b>	carbon brush assembly
57	<b>ER344</b>	metal washer
58	<b>ER17A</b>	fan washer
59	<b>ER17</b>	fan assembly
60	<b>ER17A</b>	fan washer
61	<b>ER633</b>	pulley
	<b>ER991</b>	black cloth bag w/ screw on connector

\* call for pricing and availability