

Powr-Flite[®]

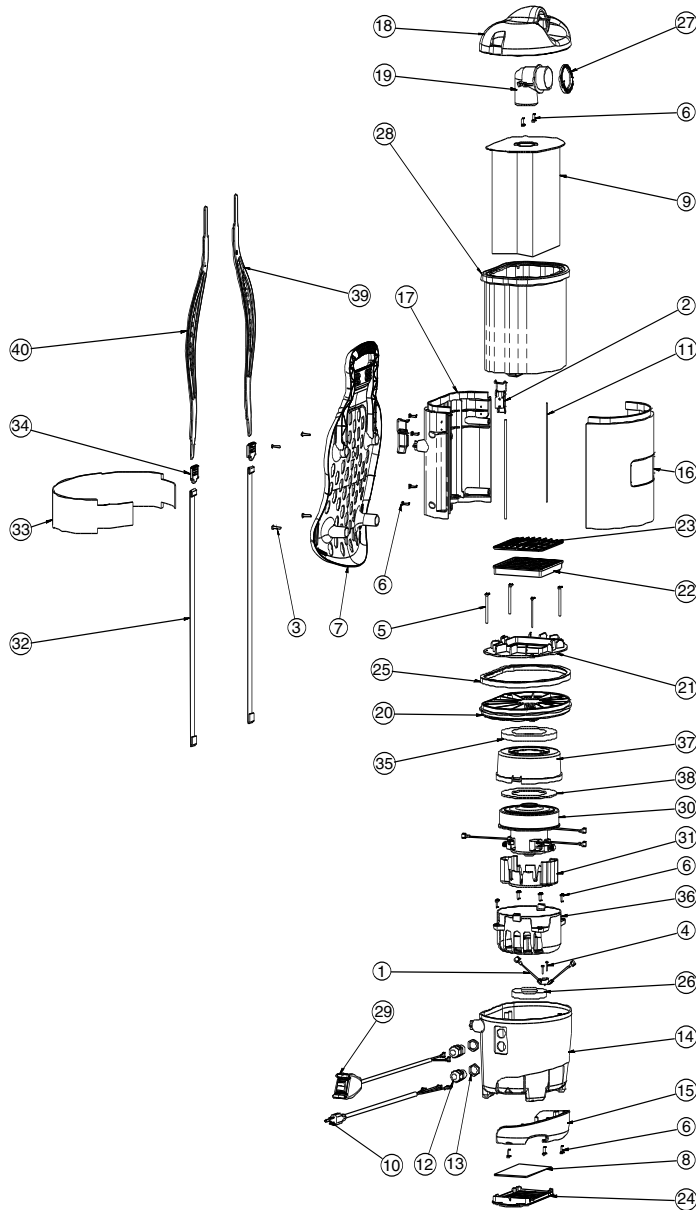
COMMERCIAL FLOOR CARE EQUIPMENT

Model PF300BP Backpack Vacuum



Schematic

Model PF300BP Parts



| ref # | item # | description |
|------------------------|---------------|--|
| 1 | A328-1400 | THERMAL PROTECTION SWITCH |
| 2 | A352-3300 | LATCH |
| 3 | A352-8100 | #10 .750 TYPE B PHILIPS PAN HEAD SCREW |
| 4 | A352-8200 | #6 X .375 HI-LO PHILIPS PAN HEAD SCREW |
| 5 | A430-0205 | #8-16 X 2.500 PHILIPS PAN HEAD SCREW |
| 6 | A732-8300 | #8 X .625 HI-LO PHILIPS PAN HEAD SCREW |
| 7 | B352-1300 | BACK REST |
| 8 | B352-2400 | POST FILTER |
| 9 | B352-2500 | PAPER BAG |
| 10 | B352-3200 | POWER HARNESS |
| 11 | B352-6100 | BAG COMPARTMENT SEAL |
| 12 | B352-600 | HEYCO FITTING |
| 13 | B352-6800-NUT | HEYCO FITTING NUT |
| 14 | B352-0100 | MOTOR COMPARTMENT |
| 15 | B352-0200 | BUMPER |
| 16 | B352-0300 | FRONT PLATE |
| 17 | B352-0400 | BACK PLATE |
| 18 | B352-0500 | COVER |
| 19 | B352-0600 | HOSE INLET |
| 20 | B352-0700 | MOTOR COVER |
| 21 | B352-0800 | SECONDARY FILTER PLATE |
| 22 | B352-0900 | SECONDARY FILTER FRAME |
| 23 | B352-1000 | SECONDARY FILTER CAP |
| 24 | B352-1100 | POST FILTER FRAME |
| 25 | B352-1200 | BODY SEAL |
| 26 | B352-1900 | BOTTOM MOTOR MOUNT |
| 27 | B352-4800 | INLET SEAL |
| 28 | C352-1400 | SHAKE OUT BAG |
| 29 | C352-2800 | SWITCH HARNESS |
| 30 | A113-2600 | 5.1" SINGLE STAGE TEK MOTOR |
| 31 | B113-0915 | TEK MOTOR SHROUD PC |
| 32 | B352-5800 | SHOULDER HARNESS STRAP |
| 33 | B352-6600 | WAIST BELT |
| 34 | B352-6700 | SHOULDER STRAP BUCKLE |
| 35 | B352-1800 | TOP MOTOR MOUNT |
| 36 | B352-5300 | MOTOR SHROUD BOTTOM 5.1 - 1 STAGE |
| 37 | B352-5400 | MOTOR SHROUD TOP 5.1 - 1 STAGE |
| 38 | B352-5500 | MOTOR SEAL |
| 39 | B352-5600 | RIGHT SHOULDER HARNESS |
| 40 | B352-5700 | LEFT SHOULDER HARNESS |
| NOT ILLUSTRATED | | |
| | B352-3600 | CREVISE TOOL |
| | B352-3500 | UPHOLSTRY TOOL |
| | B352-3700 | DUST BRUSH TOOL BODY |
| | B352-3800 | DUST BRUSH BRISTLES |
| | B352-4200 | CARPET TOOL BODY |
| | B352-4300 | CARPET TOOL BUMPER |
| | B352-4500 | BARE FLOOR TOOL BODY |
| | B352-4600 | BARE FLOOR TOLL BRUSH |
| | A352-3400 | HOSE |
| | B352-3900 | TELESCOP WAND |
| | A134-0441 | 50' EXTENSION CORD 16-3 SJT YELLOW |

The Powr-Flite Limited Warranty

The manufacturer warrants to the original purchaser that products manufactured are free from defects, provided such goods are installed, operated and maintained in accordance with written manuals or other instructions for a period of 1 year from date of purchase on workmanship, motor, and parts. In case you, as our customer, meet any trouble with your machine, contact a Powr-Flite representative, who will be happy to be of service to you and will take care of any warranty issues. This warranty covers normal use and does not cover damage which occurs in shipment or failure resulting from alteration, accident, misuse, abuse, neglect or improper maintenance.



A Tacony Company

3101 Wichita Court • Ft. Worth, TX 76140-1710 • Call 1-800-880-2913