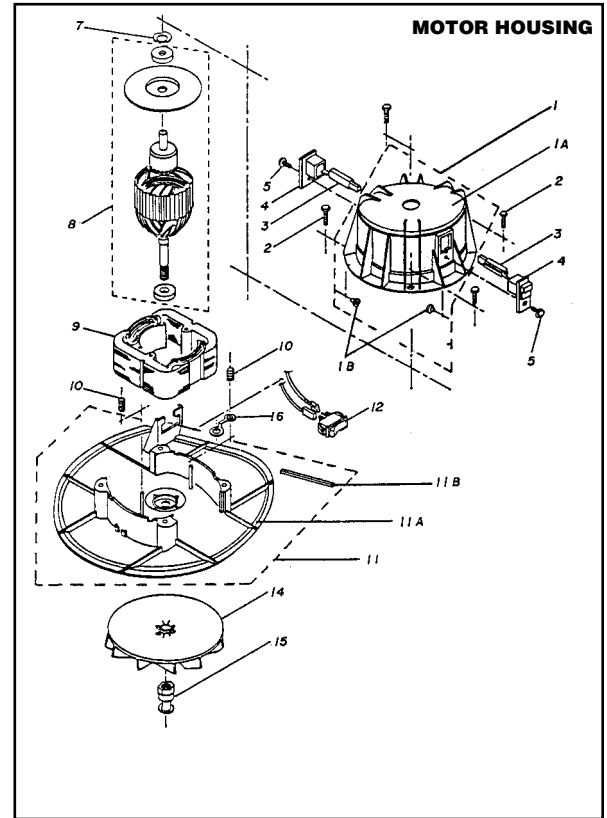
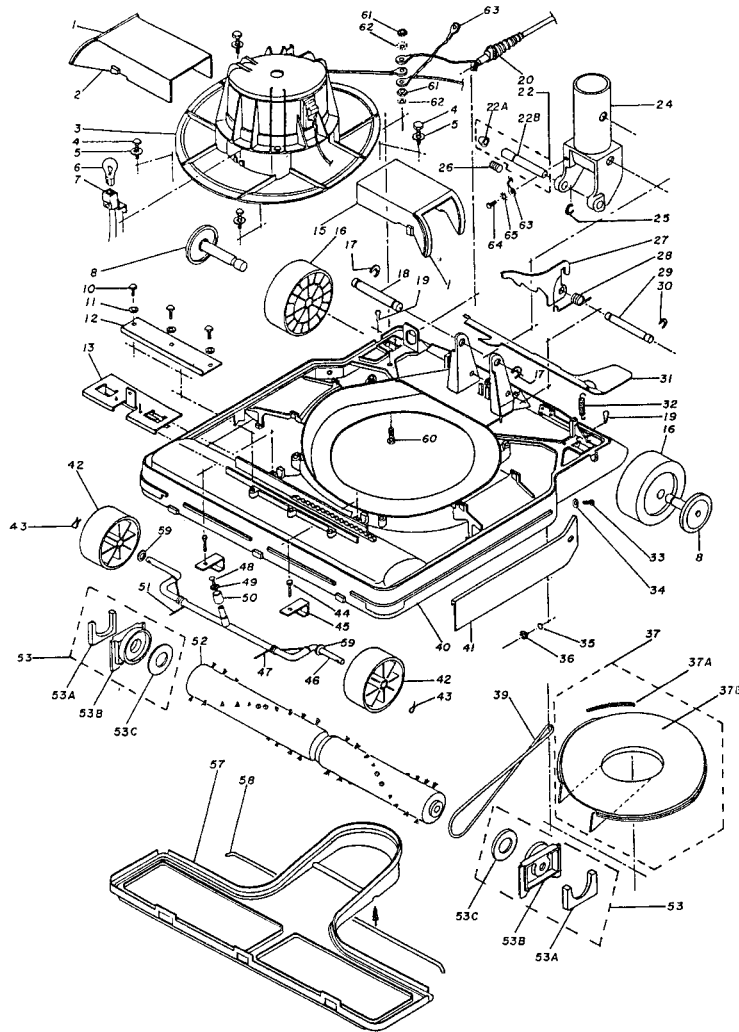


# VACUUMS

## Parts for PF1886 and PF1887



ref#	order	description
2	<b>MV70</b>	right air duct
8	<b>MV12</b>	rear axle-hub assembly
15	<b>MV71</b>	left air duct
16	<b>MV06</b>	rear wheel
17	<b>MV30</b>	c-washer 5/16
18	<b>MV31</b>	socket bolt
22	<b>MV46</b>	switch actuator assembly
24	<b>MV20</b>	tube socket
27	<b>MV32</b>	handle cam
28	<b>MV33</b>	cam spring
29	<b>MV34</b>	cam bolt
30	<b>MV30</b>	c-washer 5/16
31	<b>MV36</b>	handle release pedal
32	<b>MV37</b>	spring
37	<b>MV15</b>	fan cover assembly
39	<b>MV05</b>	belt
40	<b>MV41</b>	12" chassis
	<b>MV95</b>	16" chassis
41	<b>MV58</b>	12" bumper
	<b>MV96</b>	16" bumper
42	<b>MV38</b>	front wheel
43	<b>MV39</b>	cotter pin
44	<b>MV74</b>	screw
45	<b>MV75</b>	axle detainer
46	<b>MV60</b>	front axle assembly
47	<b>MV65</b>	left front axle spring
48	<b>MV67</b>	rivet
49	<b>MV68</b>	axle washer
50	<b>MV69</b>	axle bushing
51	<b>MV66</b>	right front axle spring

ref#	order	description
52	<b>MV11A</b>	12" brush roll assembly
	<b>MV73</b>	16" brush roll assembly
53	<b>MV13</b>	bearing support assembly
53	<b>MV13A</b>	bearing support assy right side (10/99)
57	<b>MV23</b>	12" bottom plate
	<b>MV94</b>	16" bottom plate
58	<b>MV08</b>	bottom plate retainer

### NOT ILLUSTRATED

	<b>MV40</b>	strain relief
	<b>MV03</b>	motor pack
	<b>MV04</b>	rocker switch large
	<b>MV04A</b>	rocker switch small
	<b>MV07</b>	hood spring
	<b>MV16</b>	handle screw
	<b>MV17</b>	handle nut
	<b>MV19</b>	cord hook
	<b>MV22</b>	cord retainer
	<b>MV24</b>	line cord assembly

### MOTOR HOUSING

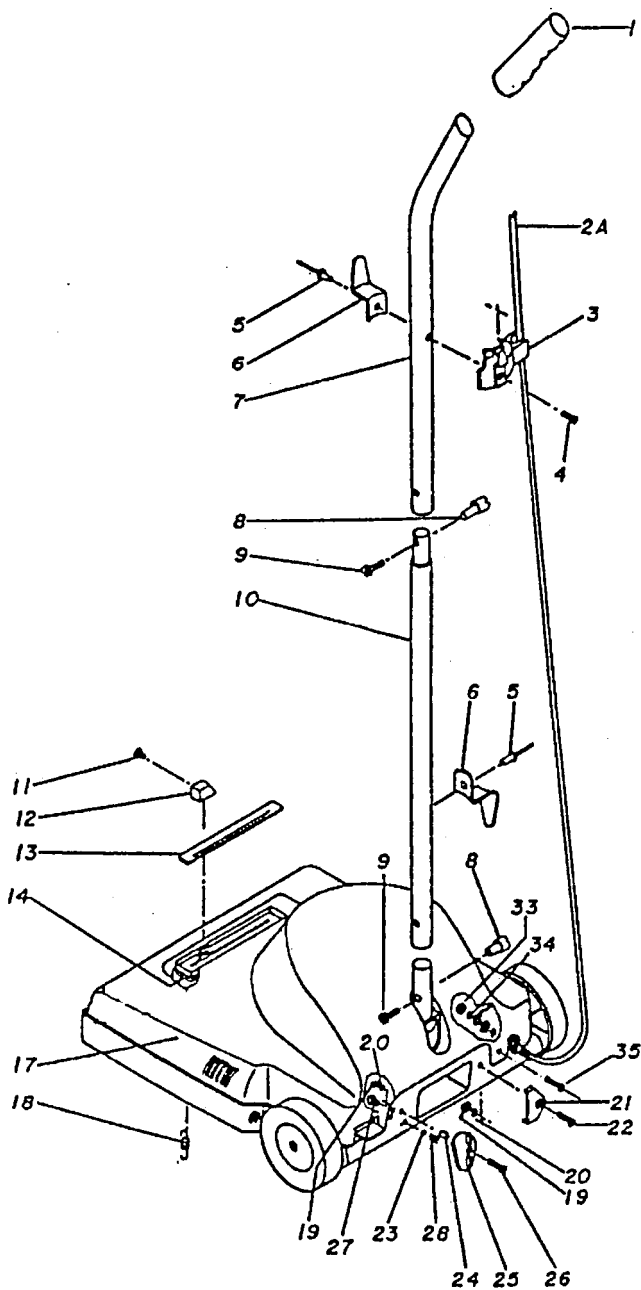
1A	<b>MV64</b>	motor cover
3	<b>MV63</b>	carbon brush with spring
4	<b>MV21</b>	brush holder support
8	<b>MV10</b>	armature assembly
9	<b>MV09</b>	field assembly
11	<b>MV27</b>	motor base with gasket
11B	<b>MV49</b>	motor base gasket
14	<b>MV02</b>	fan
15	<b>MV01</b>	belt pulley nut

Call Toll Free 800.880.2913

Visit Our Website at [www.powrflite.com](http://www.powrflite.com)

# VACUUMS

## Parts for PF1886 and PF1887



ref#	order	description
1	<b>MV43</b>	Handle Grip
2A	<b>2A-0455-7</b>	Line Cord Assembly,2W
2A	<b>M1377</b>	Line Cord Assembly, 3W
3	<b>MV22</b>	Cord Retainer
4	<b>MV44</b>	Screw Type "A" #8 x 1/2
5	<b>MV45</b>	Pop Rivet 5/32 x 1/4
6	<b>MV19</b>	Cord Hook
7	<b>MV47</b>	Upper Handle
8	<b>MV17</b>	Handle Nut
9	<b>MV16</b>	Screw Mach #10-32x
10	<b>MV48</b>	Lower Handle
11	<b>X8238</b>	Screw Type B# 6x3/8
12	<b>MV50</b>	Wheel Height Knob
13	<b>17-2486-3</b>	Label Height Adjustment
14	<b>37-0136-4</b>	Felt
17	<b>MV62</b>	12" Hood
	<b>MV97</b>	16" Hood
18	<b>MV07</b>	Hood Spring
19	<b>02-0037-8</b>	Nut #10-32
20	<b>04-0271-9</b>	Star Washer # 10 x .204
21	<b>MV51</b>	Bag Support
	<b>MV59</b>	Bag Coupling
22	<b>MV52</b>	Screw # 1 0-32x5/8
23	<b>MV53</b>	Ball
24	<b>MV54</b>	Bag Knob Spacer
25	<b>MV55</b>	Bag Knob
26	<b>MV56</b>	Screw # 10-32 x 3/4
27	<b>01-0154-3</b>	Screw Type B # 6X5 5/16
2a	<b>MV57</b>	Knob Spring
	<b>MV59</b>	Bag coupling

### Dirt Cup Bag Assembly

	<b>MV76</b>	Bag spring
	<b>MV77</b>	Bag clip
	<b>MV78</b>	Bag assembly
	<b>MV79</b>	Cup frame
	<b>MV80</b>	Screw 8/32 c 3/8
	<b>MV81</b>	Flat washer
	<b>MV82</b>	Hex nut 8/32
	<b>MV83</b>	Clamp
	<b>MV84</b>	Cup gasket
	<b>MV85</b>	Cup assembly
	<b>MV86</b>	Upper hose seal
	<b>MV87</b>	Exhaust hose
	<b>MV88</b>	Cable tie
	<b>MV89</b>	Dust cup hose
	<b>MV90</b>	Bag coupling gasket assembly
	<b>MV91</b>	Bag coupling
	<b>MV92</b>	Bag coupling gasket
	<b>MV93</b>	frame with gasket

\* call for pricing and availability