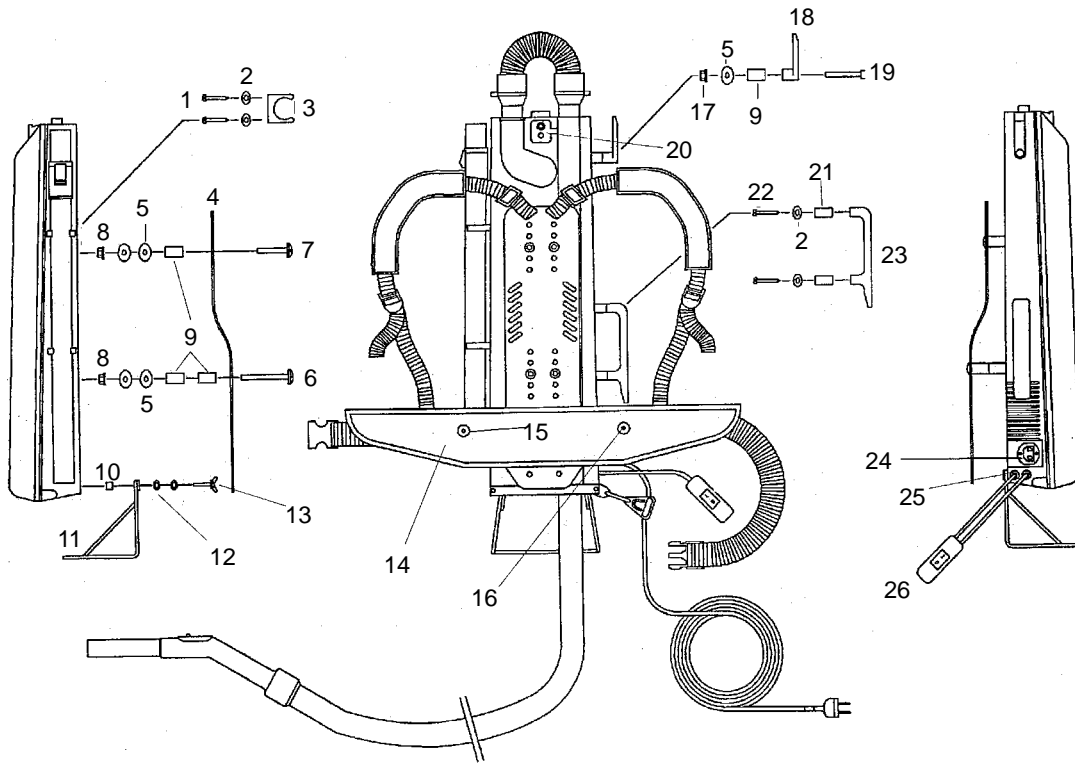
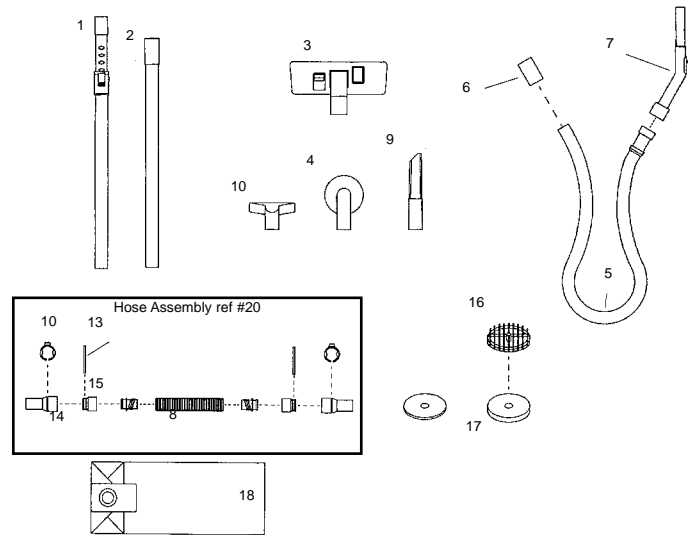


# VACUUMS

## Parts for PF16BP



ref#	order	description
1	<b>TB2</b>	screw 4x16
2	<b>TB618</b>	washer, plain steel m4
3	<b>TB27</b>	wand locker
5	<b>TB631</b>	washer plain m8 x 30
6	<b>TB632</b>	screw back-vac m8 x 60
7	<b>TB633</b>	screw back-vac m8 x 50
8	<b>TB640</b>	nut m8 complete nylon
9	<b>TB630</b>	spacer 8.2 x r18xh30
11	<b>TB628</b>	connection bracket powr-pak
13	<b>TB84</b>	thumb screw 5x18
14	<b>TB634</b>	carry belt complete back vac
15	<b>TB625</b>	mudwing repair washer m5 x 20
19	<b>TB638</b>	hexagon screw m8 x 60
25	<b>TB637</b>	cablr restrain
26	<b>TB645</b>	switch 10 amp



ref#	order	description
1	<b>TB602</b>	telescope wand 32 mm
6	<b>TB607</b>	hose cuff 35 mm pa special
7	<b>TB608</b>	30 degree bend 32 mm (plast.)
8	<b>TB609</b>	hose black 35 2,2 w/click ring
9	<b>TB25</b>	crevice tool
11	<b>TB19</b>	hose cuff black
14	<b>TB18</b>	hose clip with lip black
16	<b>TB37</b>	dust filter holder
17	<b>TB38</b>	dust filter
18	<b>261PB</b>	enviro-clean 10pk paper bag
19	<b>TB601</b>	hose end
20	<b>TB17K</b>	hose assembly

\* call for pricing and availability

Call Toll Free 800.880.2913

Visit Our Website at [www.powrflite.com](http://www.powrflite.com)