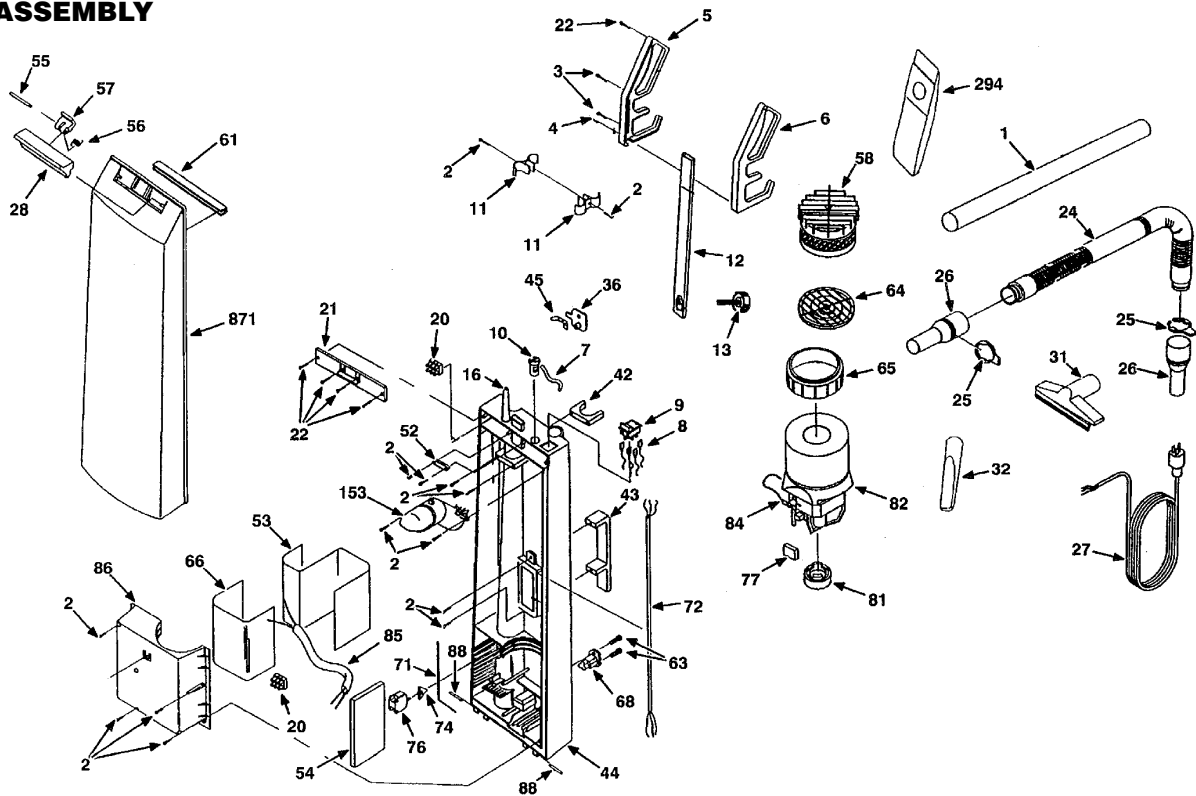


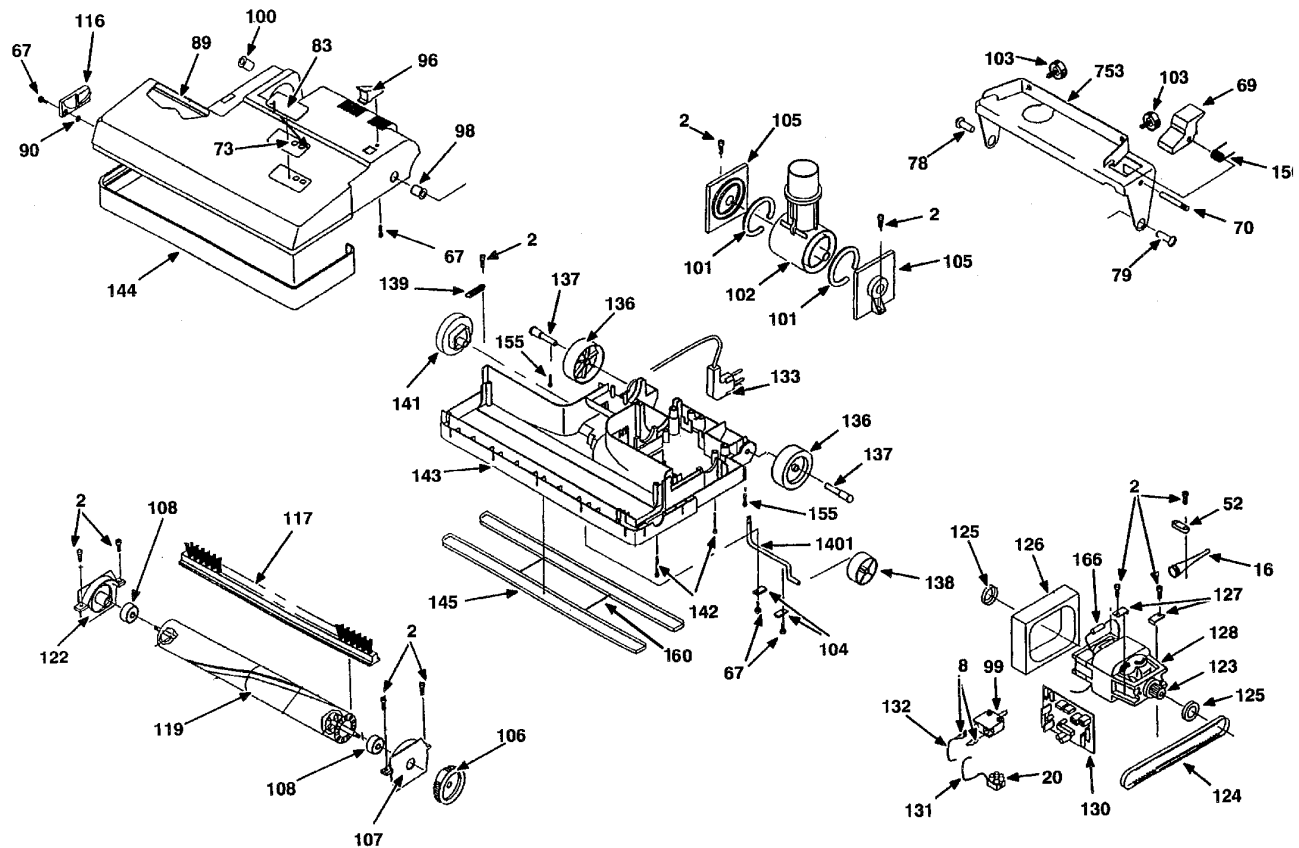
# VACUUMS

## Parts for PF14, PF18

### HANDLE ASSEMBLY



### NOZZLE ASSEMBLY PF14



Call Toll Free 800.880.2913

Visit Our Website at [www.powrflite.com](http://www.powrflite.com)

# VACUUMS

## Parts for PF14, PF18

ref#	order	description
1	<b>TB1</b>	Wand
2	<b>TB2</b>	Screw 4x16
3	<b>TB3</b>	Screw 3.5x18
4	<b>TB4</b>	Screw 3.5x25
5	<b>TB5</b>	Handle right
6	<b>TB6</b>	Handle left
7	<b>TB7</b>	Sleeve
9	<b>TB8</b>	On/Off switch
10	<b>TB9</b>	Light, full bag indicator
11	<b>TB200</b>	Brush/radiator tool holder
12	<b>TBKIT-1</b>	Handle assembly kit
13	<b>TB12</b>	Screw, 5 x 40
16	<b>TB64</b>	Strain relief
20	<b>TB14</b>	Terminal block
21	<b>TB15</b>	Electrical cover
22	<b>TB16</b>	Screw 3.5x16
24	<b>TB17K</b>	Hose assembly with cuffs
25	<b>TB18</b>	Clip
26	<b>TB19</b>	Coupling, hose
27	<b>TB15</b>	50' 3-wire electrical cord
28	<b>TB23</b>	Latch, cover
31	<b>TB24</b>	Upholstery tool
32	<b>TB25</b>	Crevice tool
36	<b>TB26</b>	Cover
42	<b>TB27</b>	Wand lock
44	<b>TB29A</b>	Vac housing kit, rear
45	<b>TB30</b>	Anti slip clip
52	<b>TB31</b>	Clamp
53	<b>TB32</b>	Foam, vac motor
54	<b>TB33</b>	Filter
55	<b>TB34</b>	Latch, shaft
56	<b>TB35</b>	spring
57	<b>TB36</b>	Lock, cover
58	<b>TB37</b>	Disc, filter
60	<b>TB38</b>	Disc, filter
61	<b>TB39</b>	7" Gasket
63	<b>TB40</b>	Screw 3x8
64	<b>TB41</b>	Grill, filter
65	<b>TB42</b>	Gasket, motor upper
66	<b>TB43</b>	Foam, vac motor
67	<b>TB67</b>	Screw 4x10
68	<b>TB44</b>	Receptacle
69	<b>TB68</b>	Release, handle
70	<b>TB69</b>	Pin
71	<b>TB62</b>	Front door seal
72	<b>TB131</b>	Main wire 110 volt

ref#	order	description
73	<b>TB70</b>	Screw long left side
74	<b>TB50</b>	Actuator switch
76	<b>TB51</b>	Switch normal open
77	<b>TB52</b>	RFI suppressor
78	<b>TB72</b>	Screw, RH (short)
79	<b>TB73</b>	Screw. LH (long)
81	<b>TB53</b>	Gasket, motor lower
82	<b>1995H</b>	Motor 110V Lamb
	<b>TB153</b>	Motor 1000W 120V
83	<b>TB74</b>	Label
84	<b>TB56</b>	Thermal cut out
85	<b>TB57</b>	Cable protector sleeve
86	<b>TB58</b>	Vac motor housing
88	<b>TB59</b>	Front cover shaft
89	<b>TB75K</b>	Upper housing, 14"
	<b>TB76</b>	Upper housing, 18"
90	<b>TB77</b>	Cover brush access
96	<b>TB78</b>	Latch
98	<b>TB79</b>	Plastic LH ring
99	<b>TB80</b>	Micro switch, closed
100	<b>TB81</b>	Plastic RH ring
102	<b>TB83</b>	Swivel, intake
103	<b>TB84</b>	Screw, 5x18
105	<b>TB86</b>	Swivel guide plate w/felt
	<b>TB86A</b>	Swivel guide plate w/o felt
106	<b>TB87</b>	Brush pulley
107	<b>TB88</b>	L.H. brush support
108	<b>TB89</b>	Ball bearing
116	<b>TB90</b>	Cover, brush access
117	<b>TB91</b>	Brush strip, 14"
	<b>TB92</b>	Brush strip, 18"
119	<b>TB93</b>	Roller assembly, 14"
	<b>TB94</b>	Roller assembly, 18"
122	<b>TB95</b>	R.H. brush support
123	<b>TB96</b>	Pulley, motor
124	<b>TB97</b>	Belt
125	<b>TB98</b>	Ring, rubber
126	<b>TB99</b>	Foam, brush motor
127	<b>TB85</b>	Clip
128	<b>TB101</b>	Motor, brush 110 V
	<b>TBKIT-10</b>	110 volt brush motor belt kit
130	<b>TB104</b>	Control board
133	<b>TB106</b>	Cable, 3 pole plug
136	<b>TB108</b>	Wheel, rear
137	<b>TB109</b>	Rear caster shaft
138	<b>TB110</b>	Caster, front

ref#	order	description
139	<b>TB111</b>	Spring
141	<b>TB112</b>	Knob
142	<b>TB113</b>	Screw 5x40
143	<b>TB114</b>	14" brush housing
	<b>TB115</b>	18" brush housing
144	<b>TB116</b>	Bumper, 14" housing
	<b>TB117</b>	Bumper, 18" housing
145	<b>TB118</b>	Base Plate, 14" housing
	<b>TB119</b>	Base Plate, 18" housing
150	<b>TB120</b>	Spring
153	<b>TB60</b>	Bag mount fitting
155	<b>TB188</b>	3 x 16 mm screw
160	<b>TB140</b>	Brush protector
166	<b>TB122</b>	Thermal overload
294	<b>261PB</b>	EC 10 pk paper bag
753	<b>TB123K</b>	Bracket, swivel
871	<b>TB61</b>	Door, vac housing
1401	<b>TB124</b>	Front caster shaft, 14"

### NOT ILLUSTRATED

<b>TB17</b>	Hose assembly with out cuffs
<b>TB127</b>	Cover for socket cover for
<b>TB130</b>	Hose, black stretch
<b>TB131</b>	Main wire 110 volt
<b>TB133</b>	Brush housing upper & lower
<b>TB135</b>	Carbon brush holder complete
<b>TB136</b>	Carbon brush & spring
<b>TB139</b>	Switch housing w felt
<b>TB141</b>	Round dust brush
<b>TB142</b>	Cord hook
<b>TB143</b>	Cloth bag
<b>TB147</b>	Screw for paper bag sensor
<b>TB148</b>	50' 18/3 yellow cord for HEPA units
<b>TB150</b>	Inlet 3 pin for line cord
<b>TB151</b>	3 pole connection plug for HEPA units
<b>TB143</b>	Cloth bag
<b>TB39</b>	Gasket, door
<b>TB86A</b>	Swivel guide plate w/o felt
<b>TB141</b>	Dust brush
<b>TB11</b>	Complete handle
<b>HP1418</b>	HEPA filter
<b>U2170</b>	Carbon assy for 1995H

## PF 14 and PF 18 UNIT KITS



**TBKIT-3**



**TBKIT-1**



**TBKIT-4**

order	description
<b>TBKIT-1</b>	Handle assembly
<b>TBKIT-2</b>	Hose, filter and bag
<b>TBKIT-3</b>	Cord, filter and bag
<b>TBKIT-4</b>	Upper unit back body, bag, filter
<b>TBKIT-5</b>	Upper unit front body, bag, filter
<b>TBKIT-6</b>	Motor, filter, bag,
<b>TBKIT-7</b>	Bracket, swivel, release switch
<b>TBKIT-8</b>	14" Brush housing, belt, brush strip
<b>TBKIT-9</b>	18" Brush housing, belt, brush strip
<b>TBKIT-10</b>	Brush motor 110 V., belt,
<b>TBKIT-11</b>	Brush roll, belt
<b>TBKIT-12</b>	18" upper and lower brush housing, belt kit
<b>TBKIT-13</b>	18" brush roll, belt kit

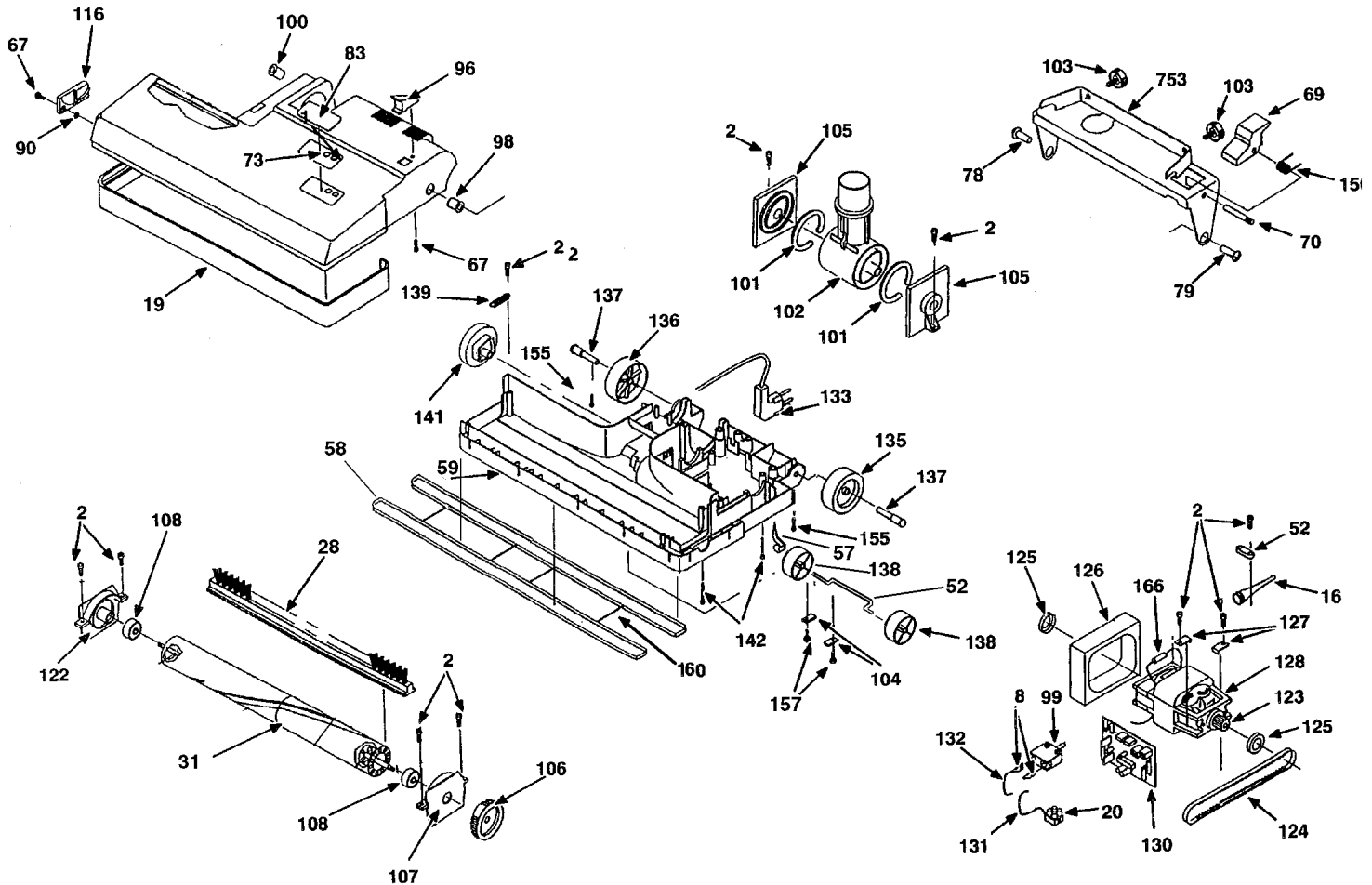
Fax Orders to 817.551.0719

Orders before 1 PM Ship The Same Day!

# VACUUMS

## Parts for PF18

### NOZZLE ASSEMBLY PF18



ref#	order	description
4	<b>TB76</b>	Upper housing 18"
19	<b>TB117</b>	Bumper 18" housing
28	<b>TB92</b>	Brush strip, 18"
31	<b>TB94A</b> <b>TB94</b>	18" Roller assembly, 18" Roller assembly w/ brush strip only
52	<b>TB125</b>	Front caster shaft, 18"
57	<b>TB126</b>	Rod, adjusting
58	<b>TB119</b>	Base plate, 18" housing (2 required)
59	<b>TB115</b>	18" Brush housing
69	<b>TB68</b>	Release handle
70	<b>TB69</b>	Pin
78	<b>TB72</b>	Screw RH (Short)
79	<b>TB73</b>	Screw LH (Long)
96	<b>TB78</b>	Latch
99	<b>TB80</b>	Micro switch, closed
102	<b>TB83</b>	Swivel neck
103	<b>TB84</b>	Screw 5x18
105	<b>TB86</b> <b>TB86A</b>	Swivel guiding plate w/felt Swivel guiding plate w/o felt
106	<b>TB87</b>	Brush pulley
107	<b>TB88</b>	L.H. Brush support
108	<b>TB89</b>	Ball bearing

ref#	order	description
116	<b>TB90</b>	Cover, brush access
122	<b>TB95</b>	R.H. Brush support
123	<b>TB96</b>	Pulley, motor
124	<b>TB97</b>	Belt
128	<b>TB101</b>	Motor, brush
130	<b>TB104</b>	Control board
133	<b>TB106</b>	Cable, 3-pole plug
136	<b>TB108</b>	Wheel rear
137	<b>TB109</b>	Rear caster shaft
138	<b>TB110</b>	Castor, front
150	<b>TB120</b>	Spring
160	<b>TB140</b>	Brush protector
753	<b>TB123K</b>	Bracket, swivel
<b>NOT ILLUSTRATED</b>		
	<b>TB131</b>	Main wire
	<b>TB133</b>	Set brush
	<b>TB135</b>	Carbon brush holder complete
	<b>TB136</b>	Carbon brush with spring
	<b>TB139</b>	Switch housing w/out felt