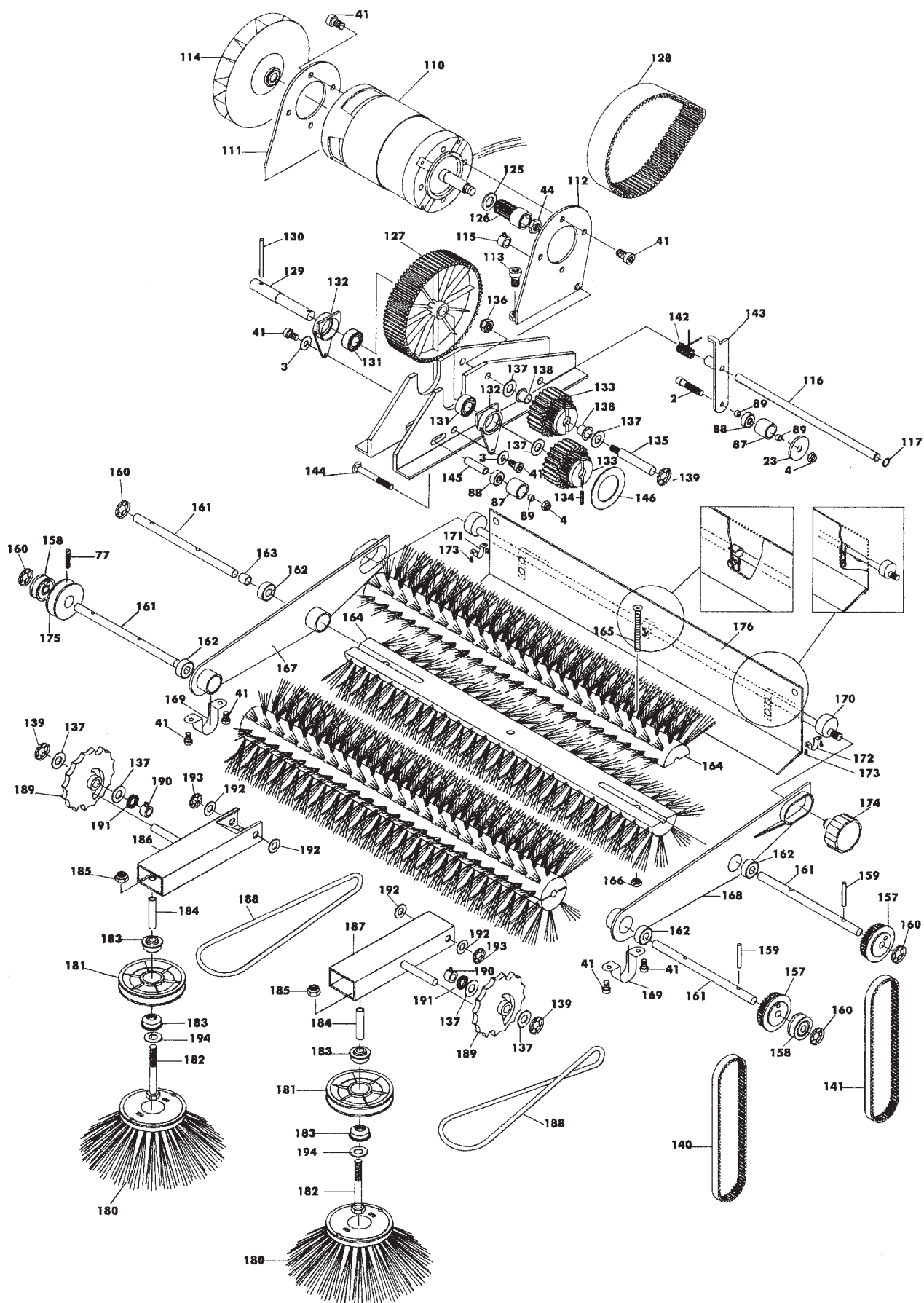
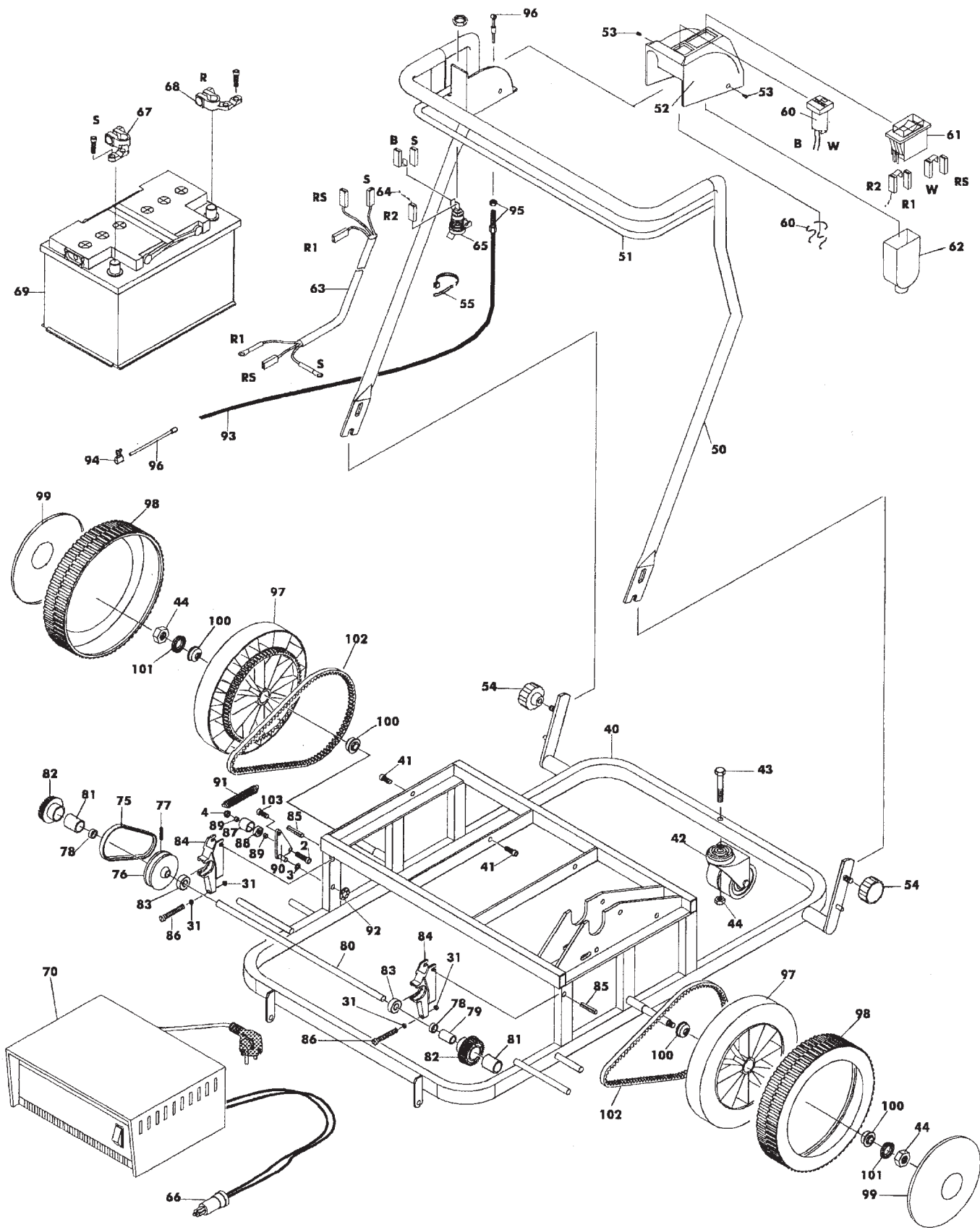


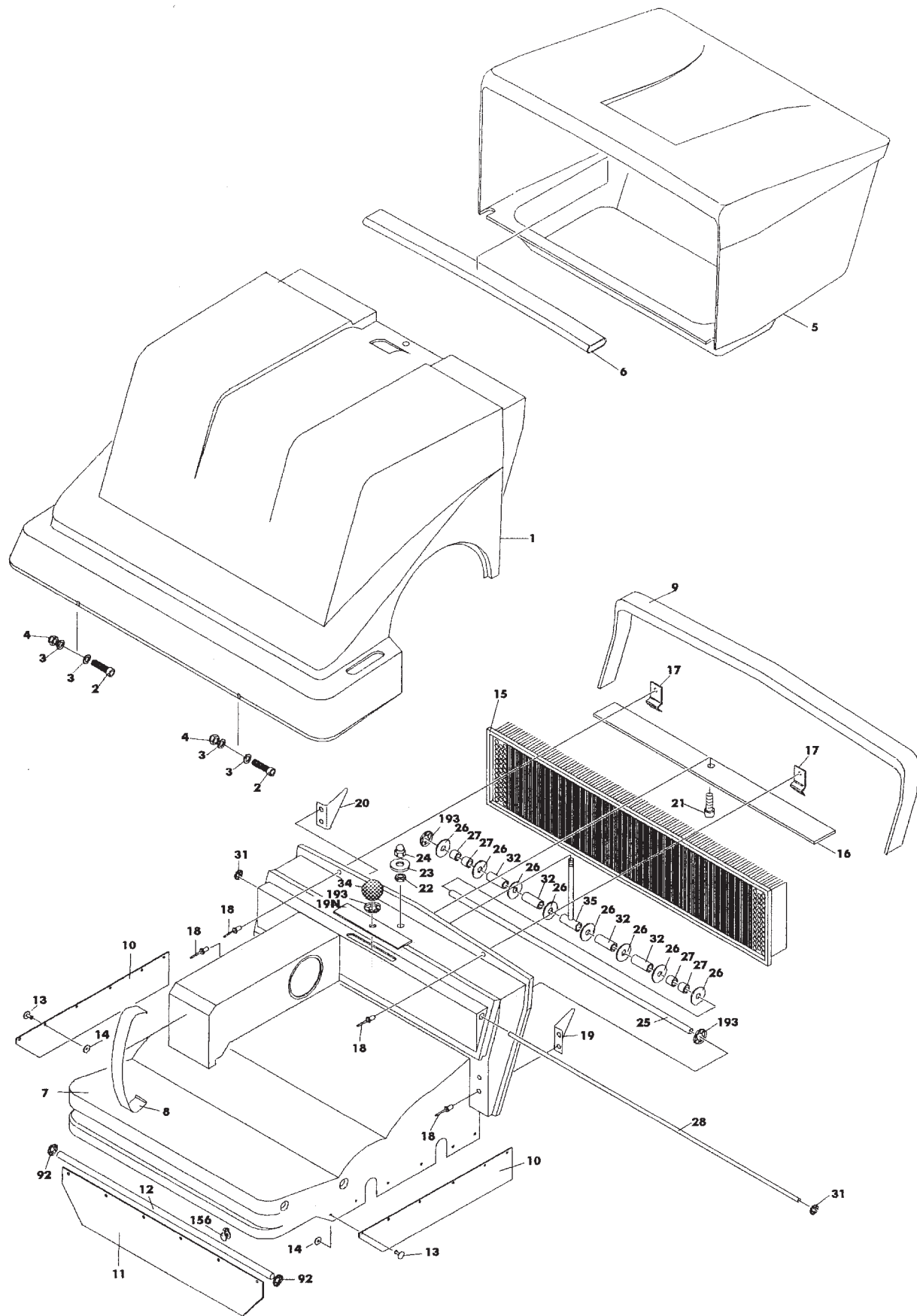
| ref# | part # | desc |
|------|--------|----------------------------|
| 1 | | Bonnet |
| 2 | | Screw |
| 3 | | Washer |
| 4 | | Nut |
| 5 | | Dirt collector |
| 6 | | Reinforcement tube |
| 7 | | Roll cover |
| 8 | | Tension Band |
| 9 | PS901 | Profiled gasket |
| 10 | PS902 | Gasket, lhs + rhs |
| 11 | PS903 | Gasket |
| 12 | | Shaft |
| 13 | PS904 | Rivet |
| 14 | | Washer |
| 15 | PS905 | Filter |
| 16 | PS906 | Fixing sheet |
| 17 | | Plate spring |
| 18 | | Rivet |
| 19 | | Filter protection plate lh |
| 19N | | Rubberplate |
| 20 | | Filter protection plate rh |
| 21 | | Screw |
| 22 | | Nut |
| 23 | PS907 | Washer |
| 24 | PS908 | Nut |
| 25 | | Tube |
| 26 | PS909 | Washer/ Rubber |
| 27 | PS910 | Spacer |
| 28 | | Axle |
| 31 | | Locking washer |
| 32 | | Spacer |
| 34 | PS911 | Handle |
| 35 | | Lever |
| 40 | | Frame |
| 41 | PS912 | Screw |
| 42 | PS914 | Caster |
| 43 | | Screw |
| 44 | | Nut |
| 50 | | Steering handle |
| 51 | | Accelerator |
| 52 | | Coverage |
| 53 | | Screw |
| 54 | PS915 | Fixing handle |
| 55 | | Wire fixing |
| 60 | | Battery-control |
| 61 | PS916 | Switch/ fuse |
| 62 | PS917 | Protection |
| 63 | PS918 | Cable-set |
| 64 | | Wire |
| 65 | PS920 | Connector socket |
| 66 | PS921 | Plug |
| 67 | | Terminal - |
| 68 | | Terminal + |
| 69 | | Battery, 12 V |
| 70 | PS922 | Battery-charger |
| 75 | PS923 | V-Belt, 10x475 |
| 76 | | Pulley |

| ref# | part # | desc |
|------|--------|--------------------------|
| 77 | | Headless screw |
| 78 | PS924 | Spacer |
| 79 | PS925 | Spacer |
| 80 | | Shaft |
| 81 | PS926 | Shell tape overr. clutch |
| 82 | PS927 | Ratched wheel |
| 83 | | Bearing |
| 84 | PS928 | Support for shaft |
| 85 | | Sleeve |
| 86 | | Screw |
| 87 | PS929 | Tightener |
| 88 | PS930 | Bearing |
| 89 | | Spacer |
| 90 | | Support for tightener |
| 91 | | Spring |
| 92 | | Locking washer |
| 93 | PS931 | Exterior cable |
| 94 | PS932 | Binding screw |
| 95 | PS933 | Adjustment screw |
| 96 | PS934 | Cable |
| 97 | PS935 | Wheel |
| 98 | PS936 | Profile rubber |
| 99 | PS937 | Hub cap |
| 100 | PS939 | Bearing |
| 101 | | Serrated lock washer |
| 102 | PS940 | Toothed belt, 750 mm |
| 103 | PS941 | Screw |
| 110 | PS942 | Motor, 12 V, 250 W. |
| 111 | PS943 | Motor support right |
| 112 | PS944 | Motor support left |
| 113 | PS946 | Screw |
| 114 | PS947 | Ventilator |
| 115 | PS948 | Adjustment sleeve |
| 116 | PS949 | Shaft |
| 117 | PS950 | Circlip |
| 125 | | Washer |
| 126 | PS951 | Ratched wheel 14 teeth |
| 127 | PS952 | Ratched wheel 98 teeth |
| 128 | PS953 | Ratched belt, 550 mm |
| 129 | PS954 | Shaft |
| 130 | PS955 | Pin |
| 131 | PS956 | Bearing |
| 132 | PS957 | Support |
| 133 | PS958 | Ratched wheel |
| 134 | PS959 | Adapter sleeve |
| 135 | | Shaft |
| 136 | | Nut |
| 137 | PS960 | Washer, plastic |
| 138 | PS961 | Slide bearing |
| 139 | PS962 | Locking washer |
| 140 | PS963 | Ratched belt, 600 mm |
| 141 | PS964 | Ratched belt, 635 mm |
| 142 | | Spring |
| 143 | | Support of tightener |
| 144 | | Screw |
| 145 | | Spacer, steel |
| 156 | | Clip |

| ref# | part # | desc |
|------|--------|--------------------------|
| 157 | PS965 | Ratched wheel 32 teeth |
| 158 | PS966 | Pulley, sidebrush |
| 159 | PS967 | Pin |
| 160 | PS968 | Locking washer |
| 161 | PS969 | Shaft |
| 162 | PS970 | Bearing |
| 163 | PS971 | Spacer |
| 164 | PS972 | Brush roll half |
| 165 | PS973 | Screw |
| 166 | PS974 | Nut |
| 167 | PS975 | Adjusting plate, right |
| 168 | PS976 | Adjusting plate, left |
| 169 | PS977 | Clip |
| 170 | | Height adjustment |
| 171 | PS978 | Clip, right |
| 172 | PS979 | Clip, left |
| 173 | PS980 | Screw |
| 174 | PS981 | Adjustment handle |
| 175 | PS982 | Pulley |
| 176 | PS983 | Recirculating flap |
| 180 | | Side brush |
| 181 | PS984 | Pulley |
| 182 | PS985 | Screw |
| 183 | | Bearing |
| 184 | PS986 | Spacer |
| 185 | | Nut |
| 186 | | Side brush holder, right |
| 187 | | Side brush holder, left |
| 188 | PS987 | V-belt |
| 189 | | Adjustmentplate |
| 190 | | Adjustment sleeve |
| 191 | | Serrated lock washer |
| 192 | | Washer |
| 193 | | Locking washer |
| 194 | | Washer |
| 250 | | Clutch |
| 251 | | Support for clutch |
| 252 | | Circlip |
| 253 | | Screw |
| 254 | | Screw |
| 255 | | Spacer |
| 256 | | Support |
| 257 | | Screw |
| 258 | | Tube |
| 259 | | Engine |
| 260 | | Support |
| 261 | | Screw |
| 262 | | V-pulley |
| 263 | | Headless screw |
| 264 | | Shaft |
| 265 | | Support |
| 266 | | Bearing |
| 267 | | Screw |
| 268 | | Shaft |
| 269 | | Screw |
| 270 | | Wire |
| 271 | | Switch |







Service and Troubleshooting

Service Schedule

| Daily | |
|--------------------------------|--|
| Sweeping brush | check the height adjustment and if there are possibly stuck or rolled up objects |
| Vacuum: brush on top | clean / check for damage |
| Monthly | |
| Battery | check level of liquid and refill if necessary |
| Belt | check for defects and voltage |
| Sweeping roller and side brush | check for wear |

Troubleshooting:

| A.) the motor doesn't start | |
|---|---|
| possible reason | potential solution: |
| 1.) the battery is not charged | Charge the battery |
| 2.) the overload protection jumps out | the drive is blocked or correct brush roller by removing the dirt container and removing objects from brushes |
| 3.) interruption in the electrical line | check the line (see the wiring diagram) and repair the connection if necessary |
| B.) the results of sweeping are not satisfactory | |
| possible reason | potential solution: |
| 1.) the dirt container is overfilled | empty the dirt container |
| 2.) sweepings are caught in the sweeping brush | take out the dirt container and remove the object |
| 3.) the roller RPM's are too low | charge the battery or check for brush blockage |
| 4.) height adjustment of the sweeping brush is wrong | adjust the height in such a fashion that only the tips of the bristles touch the floor |
| C.) the running time of the machine is insufficient | |
| possible reason | potential solution: |
| 1.) the battery has little power | check the battery and refill acid if necessary and charge, exchange battery if necessary |
| 2.) the power consumption is too high | check the main brush for height adjustment and to see if they are blocked |
| 3.) the battery is insufficiently charged | check to see if the battery and battery charger are functioning perfectly |
| D.) the brushes do not rotate | |
| possible reason | potential solution: |
| 1.) the belt of the power transmission unit is defective / has slipped off | check all of the belts on the machine (7 pieces) |
| 2.) sweepings are caught in the sweeping roller | the drive is blocked or correct brush roller by removing the dirt container and removing objects from brushes |
| E.) the steering drive is not functioning / not properly | |
| possible reason | potential solution: |
| 1.) the tooth belt is defective / has slipped off | replace if defective and check all other belts |
| 2.) the friction clutch is not engaging | adjust the setting mechanism on the handle console (part 95) |
| F.) too much dust develops | |
| possible reason | potential solution: |
| 1.) the dust filter is clogged | tap out the filter; remove and replace if necessary |
| 2.) the container is improperly inserted | put the container properly in place |



A Tacony Company
3101 Wichita Court
Ft. Worth, TX 76140-1755
1-800-880-2913