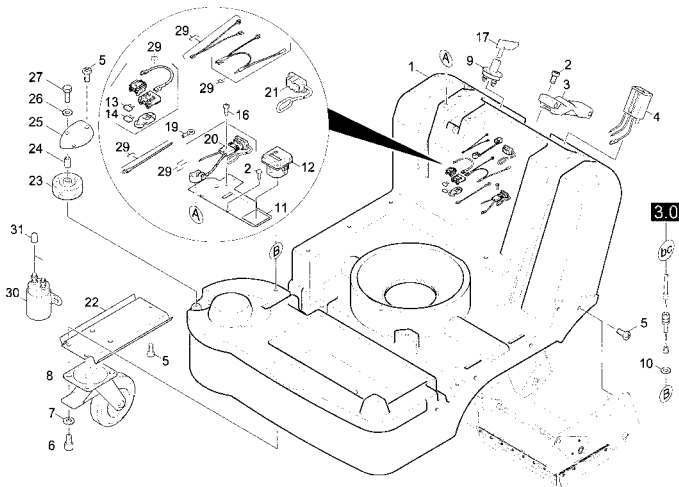


SWEEPERS

Parts for PS600



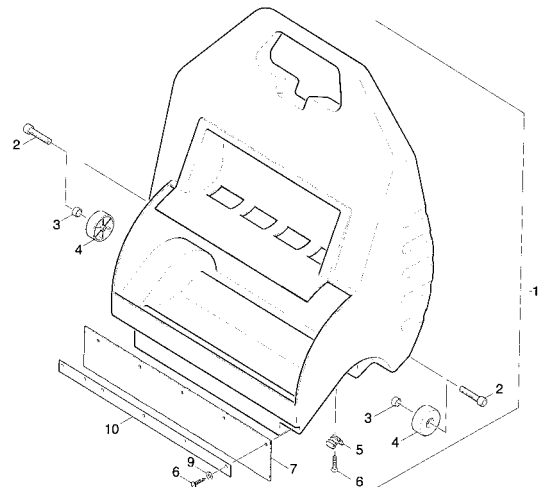
ref#	order	description
1	PS632	base frame
2	6.303-155.0	screw
3	6.375-213.0	lock
4	6.682-393.0	battery monitor
5	6.303-174.0	screw
6	7.304-395.0	hexagonal head screw
7	7.312-004.0	washer
8	PS616	caster
9	PS696	key switch
10	7.312-276.0	washer
11	5.048-160.0	plate
12	6.681-081.0	hour meter
13	PS627	fuse
14	PS626	fuse insert
16	7.303-501.0	self-tapping screw
17	PS630	key
18	PS670	plug
19	6.641-259.0	cable bracket
20	6.646-345.0	plug
21	6.368-278.0	protecting cap
22	PS635	plate
23	6.435-267.0	wheel
24	5.029-334.0	pipe
25	5.001-849.0	plate
26	7.312-003.0	washer
27	7.304-386.0	hexagonal head screw
29	PS665	cable set
30	PS621	power relay
31	6.368-294.0	protecting cap

* call for pricing and availability

HANDLE PARTS

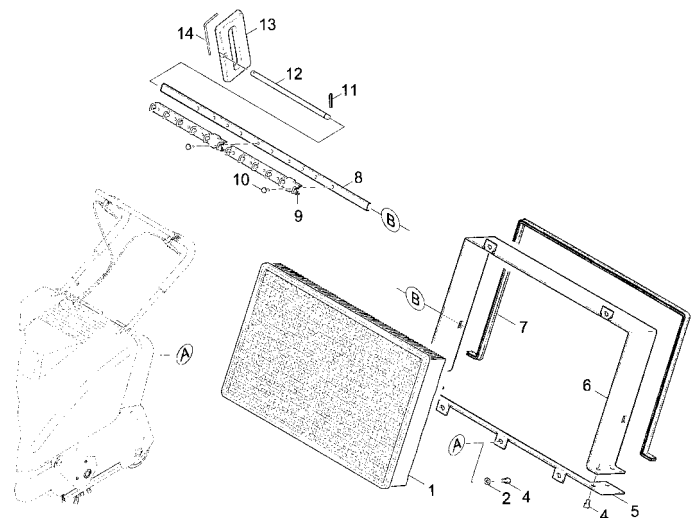
ref#	order	description
1	5.034-555.0	shearing shackle
2	6.321-135.0	cellular handle
3	PS658	operating lever
4	PS637	wire cable
5	PS659	operating lever w/ brush button
6	PS641	wire cable
7	6.647-696.0	cable clamp
9	7.312-003.0	washer
11	5.029-341.0	pipe
12	7.304-387.0	hexagonal head screw
13	PS624	saucer-head screw
14	PS607	star handle
15	6.368-173.0	drain plug

* call for pricing and availability



ref#	order	description
1	PS660	sweep tank
2	PS625	cheese head screw
3	PS602	sleeve
4	PS605	wheel
5	5.031-157.0	sliding
6	6.303-057.0	flat headed screw
7	PS612	seal
9	7.312-291.0	washer
10	5.031-297.0	strip

* call for pricing and availability

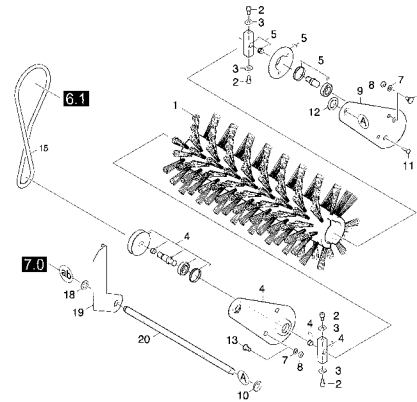
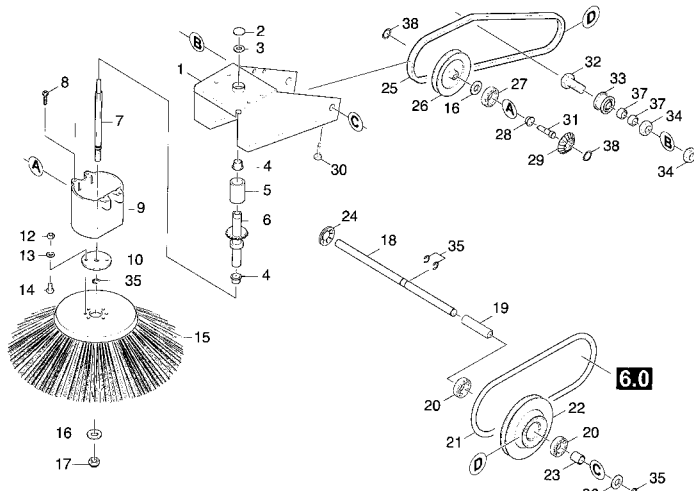


ref#	order	description
1	PS408	filter
2	7.312-003.0	washer
4	6.303-193.0	cheese head screw
5	5.046-971.0	plate
6	5.048-137.0	plate
7	5.364-170.0	seal
8	5.023-355.0	u-profile
9	5.030-900.0	stripper
10	6.315-068.0	rivet
11	7.314-954.0	pin
12	5.107-199.0	bar
13	PS603	handle
14	5.037-061.0	hook

* call for pricing and availability

SWEEPERS

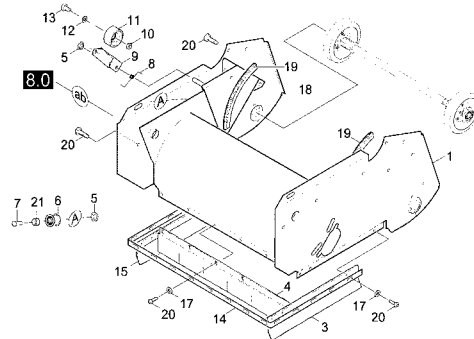
Parts for PS600



ref#	order	description
1	5.046-858.0	plate
2	PS638	lock washer
3	PS639	washer
4	6.437-484.0	bearing bush
5	5.110-591.0	sleeve
6	5.100-109.0	hollow shaft
7	5.105-179.0	axle
8	6.303-155.0	screw
9	PS640	housing
10	PS434	washer
12	7.311-003.0	hexagon nut
13	7.312-003.0	washer
14	7.306-020.0	cheese head screw
15	PS623	broom
16	7.312-004.0	washer
17	7.311-427.0	hexagon nut
18	5.105-211.0	axle
19	PS668	sleeve
20	7.401-111.0	ball bearing
21	PS611	belt
22	5.625-274.0	pulley
23	5.110-580.0	sleeve
24	6.343-180.0	quick-fastener
25	PS610	large v-belt
26	5.625-332.0	pulley
27	7.401-174.0	ball bearing
28	6.437-485.0	bearing bush
29	PS604	pinion
30	7.303-361.0	sheet metal screw
31	5.100-186.0	shaft
32	7.306-049.0	cheese head screw
33	6.435-274.0	deflection pulley
34	7.311-004.0	hexagon nut
35	7.343-205.0	lock washer
36	7.312-008.0	washer
37	6.347-094.0	spacer sleeve
38	7.343-014.0	spring clip
	PS628	anti-static main broom

* call for pricing and availability

ref#	order	description
1	PS622	reversing rolling mill
2	7.306-040.0	cheese head screw
3	5.047-121.0	plate
4	PS666	bearing link
5	PS667	bearing link pulley side
6	7.303-204.0	saucer-head screw
7	7.312-277.0	washer
8	7.311-427.0	hexagon nut
9	5.046-859.0	lever
10	6.343-175.0	quick-fastener
11	6.303-246.0	self-tapping screw
12	6.312-069.0	washer
13	7.303-193.0	saucer-head screw
15	PS609	belt
18	6.343-202.0	quick-fastener
19	5.047-582.0	plate
20	5.100-178.0	shaft



ref#	order	description
1	4.038-621.0	sweep roller chest
3	PS613	seal
4	PS615	seal
5	6.343-147.0	quick-fastener
6	PS669	deflection pulley
7	5.316-294.0	bolt
8	5.332-400.0	spiral spring
9	5.046-903.0	plate
10	7.311-004.0	hexagon nut
11	5.515-092.0	roller
12	7.312-004.0	washer
13	7.304-399.0	hexagonal head screw
14	5.047-663.0	strip
15	PS614	seal
17	7.312-003.0	washer
18	5.047-832.0	cover plate
19	5.364-192.0	seal/
20	6.303-225.0	self-tapping screw
21	6.347-094.0	spacer sleeve

Fax Orders to 817.551.0719

Orders before 1 PM Ship The Same Day!