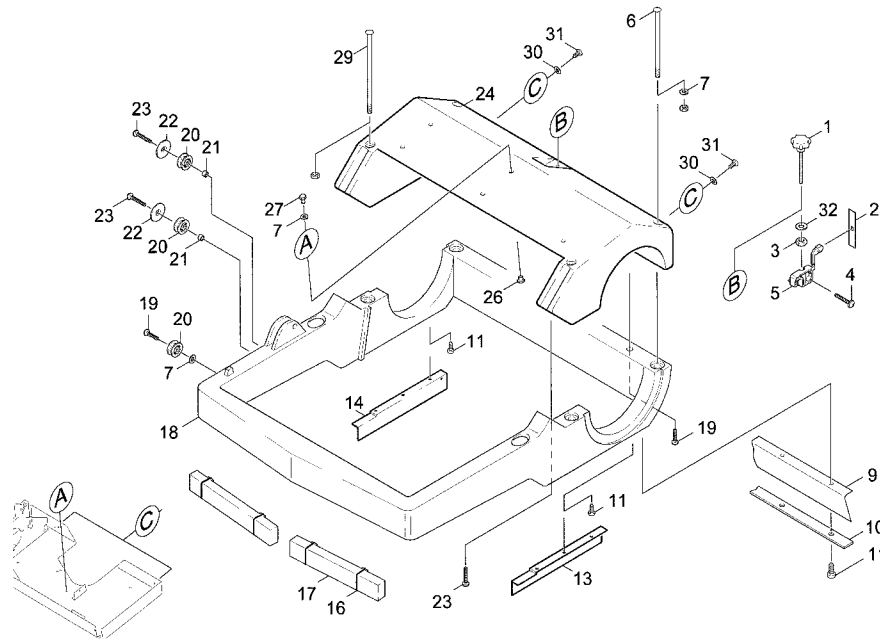


# SWEEPERS

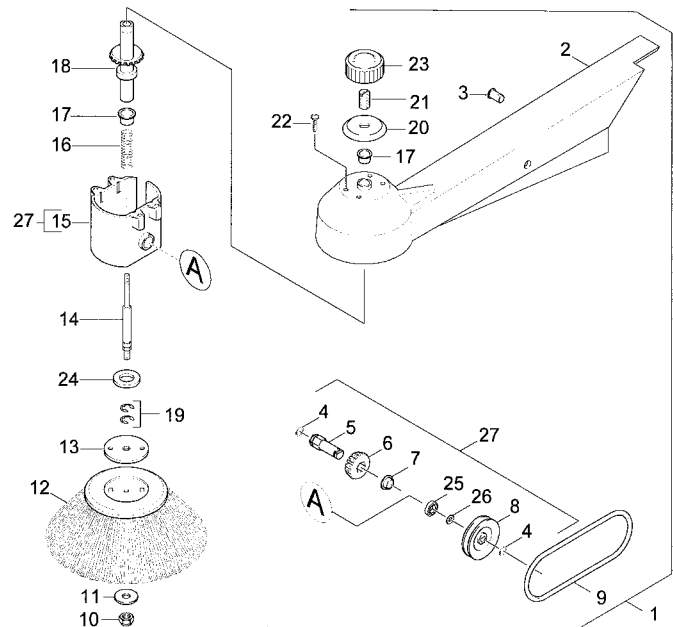
## Parts for PS400



ref#	order	description
1	<b>PS411</b>	control knob
2	<b>6.368-178.0</b>	dust protective
3	<b>7.311-511.0</b>	hexagon nut
4	<b>6.303-159.0</b>	screw
5	<b>5.030-792.0</b>	thread block
6	<b>7.303-178.0</b>	saucer-head screw
7	<b>7.312-003.0</b>	washer
9	<b>PS410</b>	splash guard
10	<b>5.001-289.0</b>	plate
11	<b>6.303-155.0</b>	screw
13	<b>PS436</b>	apron
14	<b>PS437</b>	apron
16	<b>6.362-526.0</b>	gasket
17	<b>5.027-168.0</b>	rod
18	<b>PS438</b>	frame
19	<b>6.303-157.0</b>	screw
20	<b>6.435-246.0</b>	deflection pulley
21	<b>5.110-501.0</b>	sleeve
22	<b>5.115-629.0</b>	washer
23	<b>6.303-208.0</b>	screw
24	<b>6.905-547.0</b>	cover
26	<b>5.112-470.0</b>	insert nut
27	<b>7.304-383.0</b>	hexagonal head screw
29	<b>7.303-179.0</b>	saucer-head screw
30	<b>7.312-291.0</b>	washer
31	<b>6.303-012.0</b>	self-tapping screw
32	<b>7.312-005.0</b>	washer

\* call for pricing and availability

ref#	order	description
1	<b>PS401</b>	side arm
2	<b>PS435</b>	side arm
3	<b>5.316-295.0</b>	bolt
4	<b>7.343-201.0</b>	lock washer
5	<b>5.105-139.0</b>	axle
6	<b>PS426</b>	pinion
7	<b>6.347-060.0</b>	bushing
8	<b>5.625-251.0</b>	pulley
9	<b>PS412</b>	belt
10	<b>7.311-427.0</b>	hexagon nut
11	<b>7.312-277.0</b>	washer
12	<b>PS409</b>	broom
13	<b>PS434</b>	washer
14	<b>5.105-198.0</b>	axle
15	<b>5.060-536.0</b>	housing
16	<b>6.330-054.0</b>	pressure spring
17	<b>6.347-057.0</b>	bushing



ref#	order	description
18	<b>5.100-109.0</b>	hollow shaft
19	<b>7.343-205.0</b>	lock washer
20	<b>5.115-504.0</b>	washer
21	<b>5.110-460.0</b>	sleeve
22	<b>6.303-155.0</b>	screw
23	<b>5.321-396.0</b>	turning knob
24	<b>7.312-008.0</b>	washer
25	<b>7.401-174.0</b>	ball bearing
26	<b>7.312-004.0</b>	washer
27	<b>4.060-278.0</b>	housing

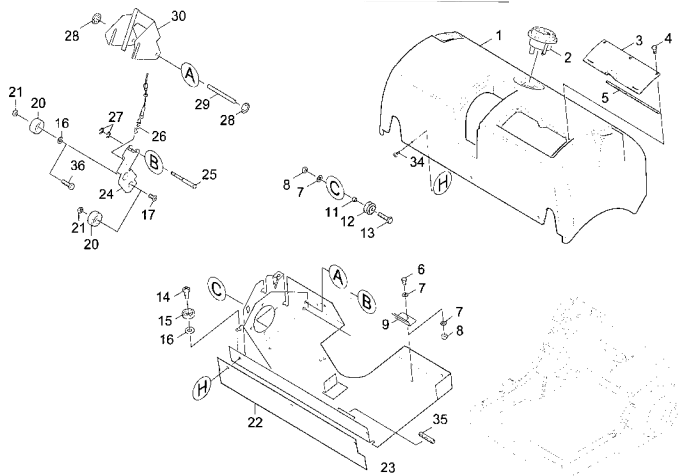
\* call for pricing and availability

Fax Orders to 817.551.0719

Orders before 1 PM Ship The Same Day!

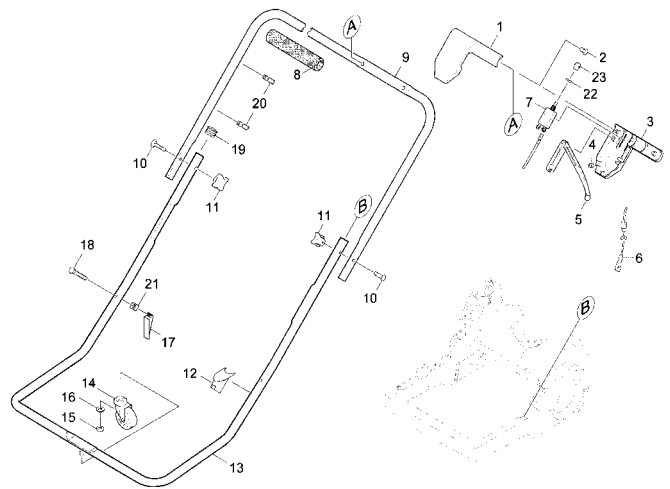
# SWEEPERS

## Parts for PS400



ref#	order	description
1	<b>5.067-020.0</b>	cover
2	<b>6.681-068.0</b>	indication (battery)
3	<b>5.030-913.0</b>	battery lid
4	<b>7.303-377.0</b>	sheet metal screw
5	<b>6.362-886.0</b>	seal
6	<b>7.304-383.0</b>	hexagonal head screw
7	<b>7.312-003.0</b>	washer
8	<b>7.311-425.0</b>	hexagon nut
9	<b>5.046-367.0</b>	bracket
11	<b>5.110-501.0</b>	sleeve
12	<b>6.435-246.0</b>	deflection pulley
13	<b>7.304-386.0</b>	hexagonal head screw
14	<b>6.303-078.0</b>	self-tapping screw
15	<b>7.401-164.0</b>	ball bearing
16	<b>7.312-004.0</b>	washer
17	<b>7.305-266.0</b>	flat headed screw
20	<b>5.515-092.0</b>	roller
21	<b>7.311-004.0</b>	hexagon nut
22	<b>PS414</b>	seal
23	<b>4.051-040.0</b>	base plate
24	<b>5.019-244.0</b>	angle
25	<b>5.105-153.0</b>	axle
26	<b>6.330-064.0</b>	extension spring
27	<b>7.343-200.0</b>	lock washer
34	<b>6.303-012.0</b>	self-tapping screw
35	<b>5.031-161.0</b>	adapter
36	<b>7.304-397.0</b>	hexagonal head screw

\* call for pricing and availability

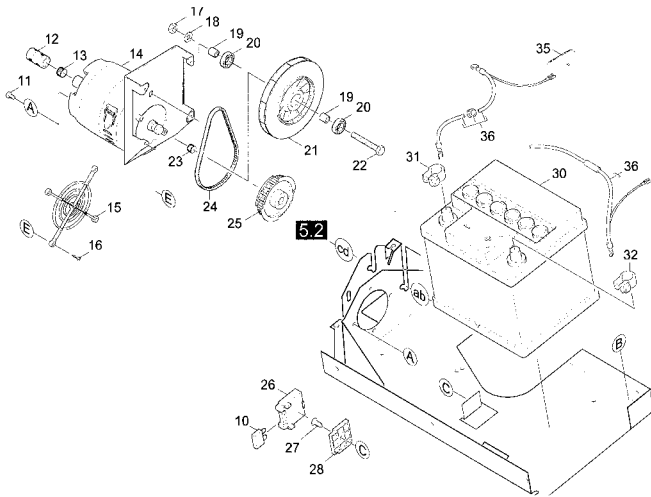


ref#	order	description
1	<b>5.030-899.0</b>	housing
2	<b>6.303-024.0</b>	oval head screw
3	<b>PS119</b>	housing
4	<b>6.641-422.0</b>	bush
5	<b>5.321-461.0</b>	handle
6	<b>PS431</b>	wire cable
7	<b>PS420</b>	safety switch
8	<b>6.321-143.0</b>	cellular handle
9	<b>PS402</b>	tubular rivet
10	<b>PS624</b>	saucer-head screw
11	<b>PS607</b>	star handle
12	<b>6.370-801.0</b>	lining
13	<b>PS439</b>	tubular rivet
14	<b>PS418</b>	castor
15	<b>7.310-511.0</b>	hexagon nut
16	<b>7.312-005.0</b>	washer
17	<b>6.370-800.0</b>	lining
18	<b>7.304-388.0</b>	hexagonal head screw
19	<b>6.368-173.0</b>	drain plug
20	<b>5.332-338.0</b>	clamp
21	<b>7.311-571.0</b>	square nut
22	<b>6.310-097.0</b>	nut
23	<b>PS121</b>	covering cap

\* call for pricing and availability

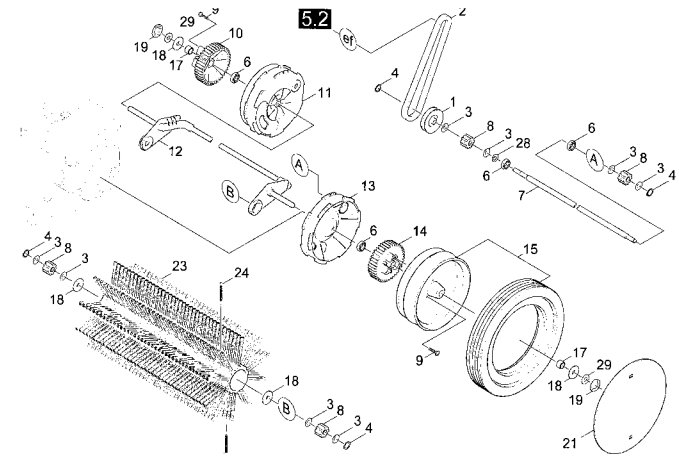
# SWEEPERS

## Parts for PS400



ref#	order	description
1	<b>5.031-631.0</b>	air duct
2	<b>PS417</b>	filter cartridge
3	<b>5.332-320.0</b>	helical spring
4	<b>5.321-464.0</b>	handle
5	<b>6.346-004.0</b>	key ring
6	<b>5.030-902.0</b>	stripper
7	<b>5.030-900.0</b>	stripper
8	<b>5.046-101.0</b>	plate
9	<b>6.303-155.0</b>	screw
11	<b>5.046-099.0</b>	plate
12	<b>PS421</b>	ground lip
13	<b>4.070-331.0</b>	tank
14	<b>PS419</b>	dc motor
15	<b>6.370-985.0</b>	ventilation screen
16	<b>6.303-114.0</b>	self-tapping screw/
17	<b>7.311-427.0</b>	hexagon nut
18	<b>7.312-004.0</b>	washer
19	<b>5.110-552.0</b>	bush
20	<b>7.401-149.0</b>	ball bearing
21	<b>PS407</b>	blower wheel
22	<b>7.304-461.0</b>	hexagonal head screw
23	<b>6.343-038.0</b>	tolerance ring
24	<b>PS423</b>	belt
25	<b>5.625-250.0</b>	pulley
26	<b>6.644-216.0</b>	retainer
27	<b>7.303-515.0</b>	self-tapping screw
28	<b>6.644-217.0</b>	base carrier
30	<b>6.654-017.0</b>	battery
31	<b>6.654-074.0</b>	battery terminal
32	<b>6.654-075.0</b>	battery terminal
35	<b>6.641-463.0</b>	cable tie
36	<b>4.820-857.0</b>	cable tree

\* call for pricing and availability



ref#	order	description
1	<b>5.625-249.0</b>	pulley
2	<b>PS413</b>	large v-belt
3	<b>7.343-216.0</b>	washer
4	<b>7.343-302.0</b>	lock washer
6	<b>7.401-111.0</b>	ball bearing
7	<b>5.100-132.0</b>	shaft
8	<b>4.352-012.0</b>	pinion
9	<b>6.303-157.0</b>	screw
10	<b>5.120-029.0</b>	hub
11	<b>5.031-027.0</b>	axle drum
2	<b>5.105-217.0</b>	axle
13	<b>5.031-026.0</b>	axle drum
14	<b>PS433</b>	hub
15	<b>PS432</b>	wheel
17	<b>PS416</b>	plain bearing
18	<b>5.115-628.0</b>	washer
19	<b>6.343-180.0</b>	quick-fastener
20	<b>5.515-038.0</b>	tire
21	<b>5.063-872.0</b>	cover
22	<b>5.110-500.0</b>	sleeve
23	<b>PS422</b>	reversing rolling mill
24	<b>6.303-205.0</b>	screw
25	<b>6.365-360.0</b>	gasket disc
29	<b>6.403-029.0</b>	washer

\* call for pricing and availability