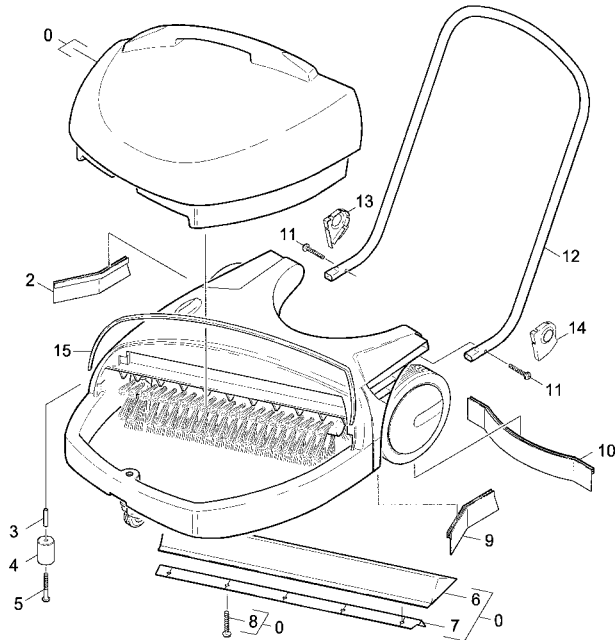


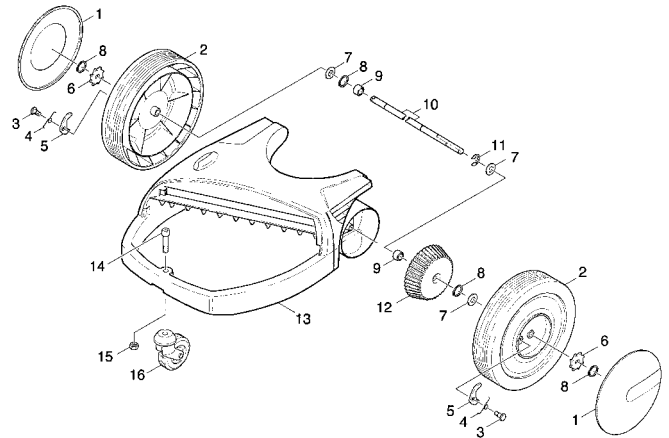
SWEEPERS

Parts for PS100



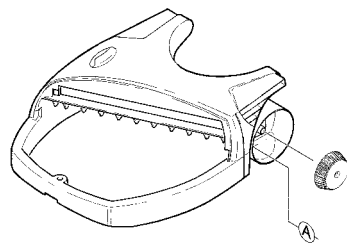
ref#	order	description
0	PS101	tank
2	PS107	seal
3	5.110-710.0	sleeve
4	5.515-045.0	roller
5	6.303-197.0	screw
6	5.031-449.0	wedge
7	PS102	rubber clip
8	PS122	5x16 screw
9	PS106	seal
10	PS108	seal
11	6.303-300.0	screw
12	PS103	shearing shackle
13	5.031-612.0	screen
14	5.031-613.0	screen
15	PS120	rubber gasket

* call for pricing and availability



ref#	order	description
1	PS664	cover
2	PS109	wheel
3	PS662	fixing screw
4	PS661	leg spring
5	PS663	catch
6	PS450	free running
7	PS123	washer
8	7.343-003.0	spring clip
9	PS416	plain bearing
10	5.105-256.0	axle
11	7.343-205.0	lock washer
12	PS105	angular wheel
13	PS117	frame
14	PS114	cheese head screw
15	7.311-511.0	hexagon nut
16	PS110	castor

* call for pricing and availability



ref#	order	description
1	PS112	side reversing roll mill
2	PS113	cheese head screw
3	PS125	washer
5	5.250-085.0	end plate
6	PS122	screw
8	PS118	flange
9	PS104	angular wheel
10	7.343-003.0	spring clip
11	PS111	reversing rolling mill

* call for pricing and availability

