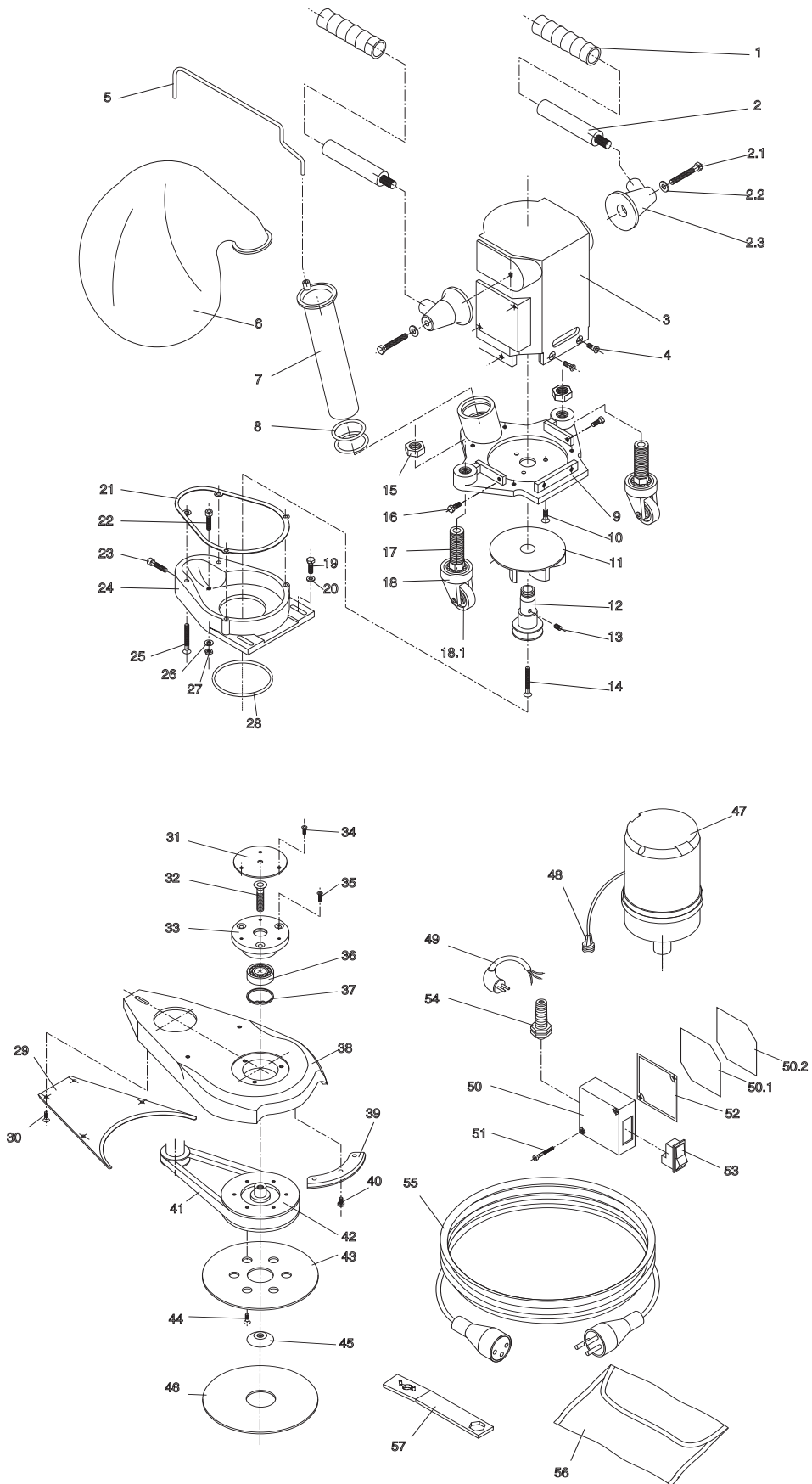


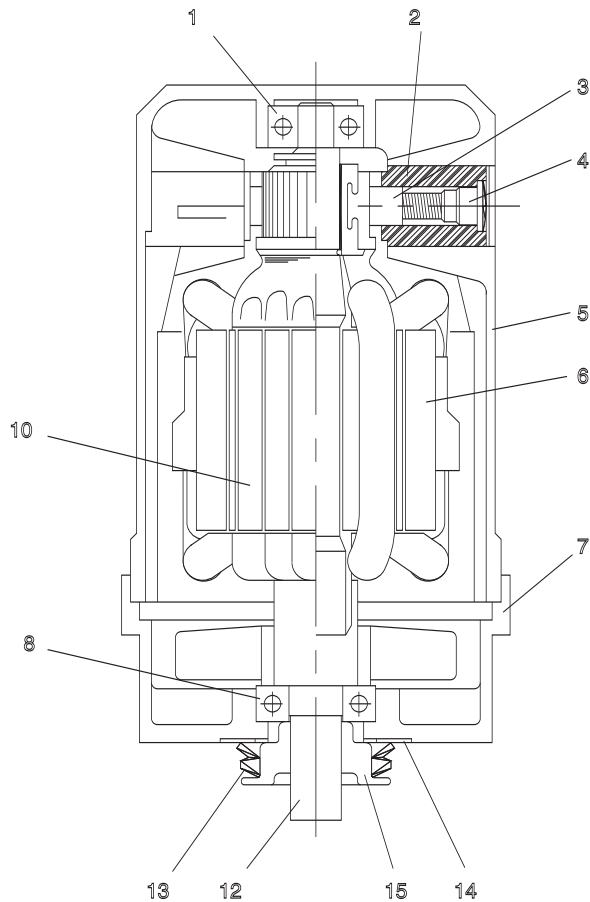
ASSEMBLY DRAWING AND SPARE PARTS LIST



ASSEMBLY DRAWING AND SPARE PARTS LIST

ref#	part #	desc
1	SD157	HILT
2	SD158	HANDLE
2.3	SD159	HANDLE BRACKET
5	SD160	DUST BAG CLAMP
6	SD161	DUST BAG
8	SD162	O RING OR 44,2 x 3
11	SD163	FAN
12	SD164	MOTOR PULLEY (disc ø 178 mm)
18.1	SD165	WHEEL ø 40

ref#	part #	desc
21	SD166	GASKET
28	SD167	O RING OR 90 X 3
32	SD168	SCREW DIN 7991 M 10 x 40
41	SD169	BELT Z - 19 3/4 (disc ø 178 mm)
43	SD170	STEEL DISC ø 178 mm
45	SD172	CONICIAL NUT
46	SD173	FELT DISC ø 178 mm
47	SD174	UNIVERSAL MOTOR MOG USA
57	SD175	KEY



ref#	part #	desc
1	SD176	BALLBEARING 6001 VVC3
2	SD177	BRUSH BRACKET
3	SD178	BRUSHES
4	SD179	COVER
5	SD180	MOTOR HOUSING
6	SD181	STATOR USA
7	SD182	COVER
8	SD183	BALLBEARING 6202 VVC3
10	SD184	ROTOR USA
13	SD185	V-RING JOINT V 28 S
14	SD186	AXIAL DISC INA AS3047
15	SD187	SPACER

DECLARATION OF CONFORMITY

DECLARATION OF CONFORMITY

GUIDE, S.A. declare under our responsibility that the floor sanding machine model **EASY 7** meets the requires standards of safety and health with respect to the design and manufacture of machinery, according to the below mentioned regulations.

EEC regulations regarding to:

Machines (89/392/EEC)
Low voltage (73/23/EEC)
Electromagnetic compatibility (89/336 EEC)
(Last changed through 93/68/EEC from 22.7.1993.)



In conformity with the following standards:

EN 292 Part 1 and Part 2 (Safety of machinery, equipment and systems)
EN 60204.1 (Electrical equipment of industrial machines)

WARRANTY

WARRANTY

Powr-Flite warrants new products manufactured and sold under the name of Powr-Flite to be free from defects in materials and workmanship under normal use and service, provided such goods are installed, operated and maintained in accordance with written manuals or other instructions for a period of 1-year. Powr-Flite's obligation under this warranty is limited to repairing or replacing, at our option, such products or parts which are returned to our factory authorized service center, within the warranty period and are found to be defective in materials or workmanship. This warranty does not apply to excessive wear caused by abnormal use, nor does it apply to normal wear parts such as main cable, wheels, switches, relays, brushes, rubber parts, hoses and bearings.

This warranty is in lieu of all other warranties expressed or implied, and releases Powr-Flite from all other obligations and liabilities.

Powr-Flite assumes no responsibility for repairs, and the costs of such repairs, made or attempted by persons other than those specifically authorized by Powr-Flite. Any such unauthorized repairs shall void this warranty.

Powr-Flite
COMMERCIAL FLOOR CARE EQUIPMENT

A Tacony Company

Ft. Worth, TX 76140

1-800-880-2913