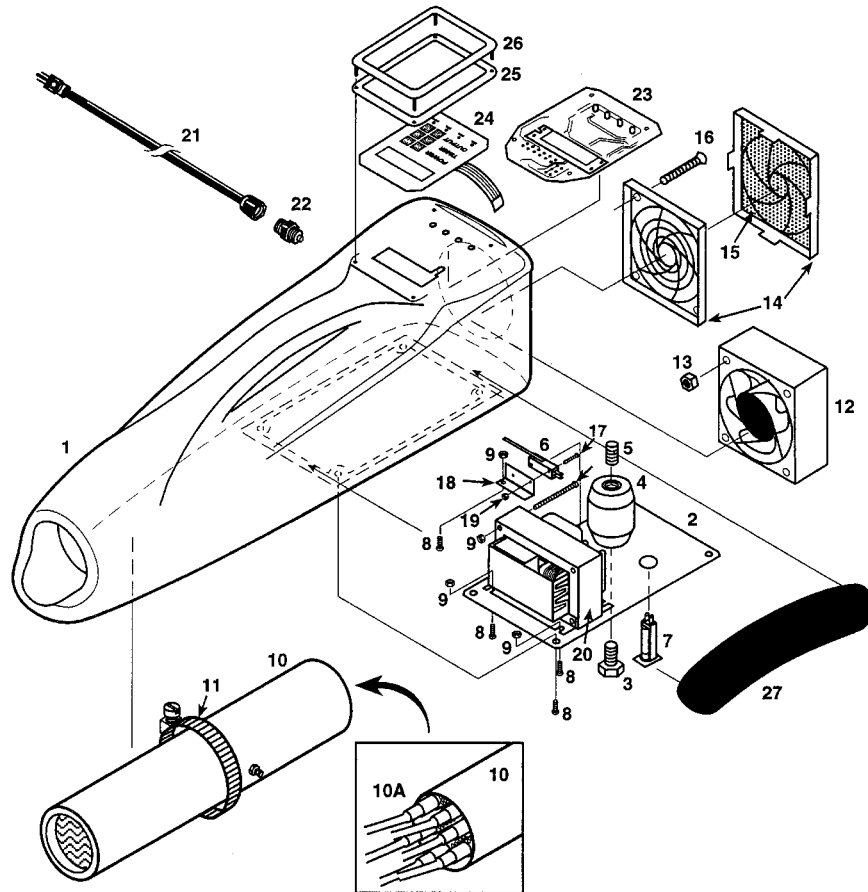


# Ozone Generator

## Parts for Model PFO3



ref#	order	description
1		Housing
2		Mounting Plate, Bottom
3		Bolt, 3/8" x 1/2"
4		Terminal Block
5		Stud, 3/8" x 1 1/8"
6		Safety Switch
7		Circuit Breaker 1/2 Amp.
8		Bolt
9		Nylon Lock Nut, 10-32
10		High Voltage Electrode Chamber
10A		Electrode Assembly
11		Hose Clamp
12		Fan
13		Lock nut

ref#	order	description	each
14		Fan Cover Assembly (includes filter)	
15		Fan Filter	
16		Bolt, 8/32 x 2 1/2", S/S	
17		Screw, 4-40 x 5/8, SIS	
18		Bracket for Safety Switch	
19		Nylon Lock Nut, 4-40, S/S	
20	<b>OZ1</b>	Transformer	
21		Power Cord, 6'	
22		Cord Retainer	
23		Control Board Assembly	
24		Membrane Key Pad	
25		Gasket	
26		Bezel	
27		Label	