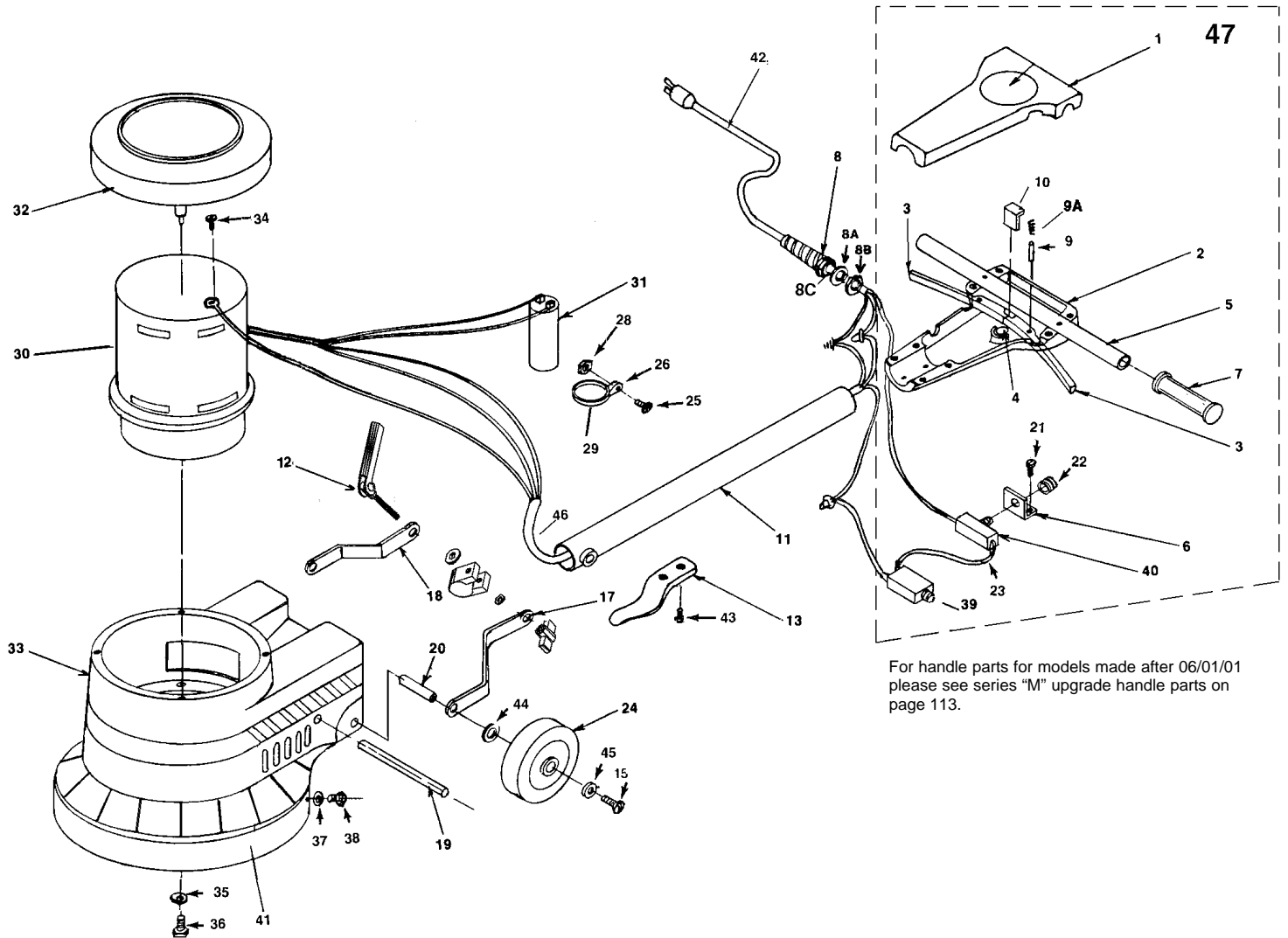


FLOOR MACHINES

Parts for P131



For handle parts for models made after 06/01/01 please see series "M" upgrade handle parts on page 113.

ref#	order	description
1	X8001	top handle housing
2	X8002	bottom handle housing
3	X8003	switch lever (2 req.)
4	X8004	ball
5	X8005	handle tube
6	X8006	switch bracket
7	X8007	handle grip (2 req.)
8	SR37	strain relief, metal
8A	X8100	counter nut
8B	X8228	spacer
8C	SR37A	brass sleeve strain relief
9	X8026	dowell pin (2 req.)
9A	X8110	spring, dowell pin (2 req.)
10	X8061	clip switch lever
11	X8011B	handle tube, 1-1/2" w/bushings
12	X8012A	handle clamp assy
13	X8013	cord hook
15	X8210	wheel screw
17	X8027L	left brace
18	X8027R	right brace
19	X8018	pivot shaft
20	X8029	axle

order ref#	description
21	X8201 8/32" x 3/8" type F screw (2 req.)
22	X8010 switch spring
23	X8009 4" jumper wire
24	X8025 4" wheel
25	X8202 8 - 32 x 1/2" pan bolt
26	X8150M mount for capacitor strap
28	X8256 keep nut
29	X8150 capacitor strap
30	X8059 motor and gear unit
31	X8039 340 MFD capacitor
32	X8041 motor cover
33	X8058 base housing, 13"
34	X8207 motor ground screw
35	X8152 D-washer
36	X8229 1/4"-20 x 3/4" phillips head screw
37	X8225 3/16" cut washer (2 req.)
38	X8208 10-24 x 5/8" phillips head machine screw (2 req.)
39	X8023 15 amp circuit breaker
40	F5P switch, 25 amp
41	X8030E 30" bumper
42	M1400C 14/3SJTWA cord, 50'

FLOOR MACHINES

Parts for P77, P99, P772, P882 and P992

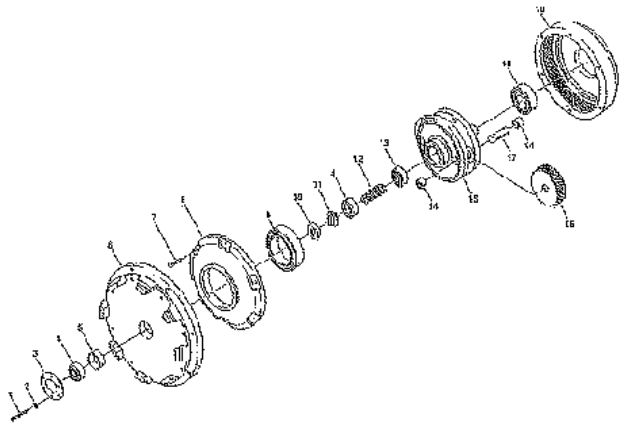
Model P131

ref#	order	description
	M1400CS	14/3 SJTWA 50' cord with metal strain relief and flag terminal
43	X8207	cord retainer screw (2 req.)
44	X8101	spring washer (2 req.)
45	X8020	axle washer
46	X8022B	handle line cord assembly
47	X8600	switch housing assembly

NOT ILLUSTRATED

X8108	wheel spacer
X8222	1/4"-20x3/4" socket set screw for X8011 handle
X8590	upper motor bearing
X8536	lower gear box bearing
F3P	motor coupling
SW47	stationary switch
X8210-1	short switch housing screw and nut
X8220	long, switch housing screw

Standard Gear Box Assembly



Models P171, P171HD, P171SD, P172, P173, P201, P201HD, P202, and P203 Polishers (ref. part 30A pg 103)

ref#	order	description
1	X8594	screw, socket head cap
4	X8590	bearing
5	X8595	spacer, sleeve
10	X8592	retainer
11	F3P	coupling
12	X8591	gear, pinion
14	X8095	bearing, needle
16	X8094	gear, idler
19	X8093	housing, drive

Models P77, P99, P772, P882 and P992

F1P	switch triggers (pair), all models
F3P	coupling, all models
F5P	switch, all models
F8P	wheel, large, non-marking, all models
F9P	hub caps for wheel, all models
F11P	cable strain relief, steel, all models
F19P	motor complete, P992, P772
F21P	rotary switch, all models
F27P	switch box front, all models
F28P	rear wheel for P882
F30P	hand grip, all models
M1369A	14/3 STWA 50'yellow cord7
F32P	switch box closing screws, all models
F33P	handle tube screws, all models
F37P	bumper guard for P99, P992
F39P	sliding collar, all models
F40P	drive belt for P882
F41P	bearing block assembly complete, all models
F42P	pulley driver for P882
F45P	pad holder, yellow
F47P	cam wing nut
F50P	pad holder for P882, black, "snap on" type
F70P	2-wire tug cable, all models
X8101	spring washer, all models
X8010	trigger spring return, all models
F77P	trigger pins, all models
F78P	switch box back, all models
F79P	strain relief clip P882
X8201	switch mount plate screw, all models
X8006	switch mount plate, all models
F85P	wheel axle cotter pin, all models
F86P	wheel washer, all models
F88P	*oil capacitor P772, P882
F89P	*start capacitor P772, P99, P992
F99P	handle tube and yoke, all models
F104P	yoke, all models
X8012A	handle clamp assy
X8013	cable hook

NOTE: Must have MFD number off of old oil capacitor and start capacitor to match properly.

FLOOR MACHINES

Parts for P-SERIES MACHINES

Models P171, P171HD, P171SD, P172, P173, P201, P201HD, P202, and M203 Polishers

ref#	order	description
1	X8001	top handle housing
2	X8002	bottom handle housing
3	X8003	switch lever
4	X8004	ball
5	X8005	handle tube
6	X8006	switch bracket
7	X8007	handle grip (2 req.)
8	X8008	strain relief, plastic
8	SR42	strain relief, metal
8A	X8008N	nut for X8008 and SR42
8B	X8551	3/4" washer
8C	SR42A	brass sleeve for SR42 strain relief
9	X8026	dowell pin (2 req.)
9A	X8110	spring, dowell pin (2 req.)
10	X8061	clip switch lever
11	X8011B	handle tube 1-1/2" w/bushings
12A	X8012	handle clamp collar
12B	X8028	square washer
12	X8012A	handle clamp assembly
13	X8013	cord hook
15	X8210	wheel screw, short switch housing screw
16	X8016	knob
17	X8017L	left brace
18	X8017R	right brace
19	X8018-1	pivot shaft
20	X8019	axle
21	X8201	8/32"x3/8" type F screw (2 req.)
22	X8010	switch spring
23	X8009	4" jumper wire
24	X8024	5" wheel
25	X8202	mount bolt
26	X8150M	mount for capacitor strap
27	X8030	46" bumper for 20" machine
	X8030B	36" bumper for 17" machine
29	X8150	capacitor strap
30	X8035	1-1/2 HP motor w/o gear unit P171HD, P171SD, P201HD, P203,P173
30	X8035HD	1-1/2 HP 175RPM motor with gear unit for P171HD, P171SD, P201HD
30	X8035-3	1-1/2 HP 300 RPM motor with gear unit for P173, P203
30	X8045	1 HP motor w/o gear unit P201, P171
30	X8045-1	1 HP 175 RPM motor with gear unit for P171, P201
30	X8071	2 speed 1-1/2 HP motor assembly for P202, P172
30A	X8072	300 RPM gear unit for P173, P203
30A	X8073	175 RPM gear unit for P171, P171HD, P201, P201HD
32	X8042	motor cover
31,33	X8040	590 MFD, 110V start capacitor for Doerr 1 HP 175 RPM motor
31,33	X8046	35 MFD 240V run capacitor for Doerr 1-1/2 HP Doerr Model #R07559 & G51400
31,33	X8056	310 MFD 125V start capacitor for 1 1/2 HP Doerr Model #R07559 & G51400
34	X8207	motor ground screw P171, P202

ref#	order	description
35	X8052	base housing, 20"
35	X8053	base housing, 17"
37	X8225	3/16" cut washer
38	X8023	15 amp circuit breaker,P171, P131,P201
38	X8023A	17 amp circuit breaker, P173, P203, P171HD P201HD, P172, P202
39	F5P	switch-25 AMP
40	M1369A	14/3 SJTWA 50' yellow cord
40A	M1369AS	14/3 STWA 50' yellow cord assembly with metal strain relief & flag receptical
41	X8208	10-24x5/8" phillips head machine screw
42	X8219	3/8" SAE flat washer
43	X8218	5/16" SAE flat washer
44	X8212	1/4" spring washer
45	X8211	1/4"-20x1 hex head cap screw
46	X8101	spring washer
47	X8108	wheel spacer
48	X8020	axle washer
49	X8207	cord retainer screw
50	X8022B	17" and 20" cord assembly (handle)
	X8022E	handle cord, P172, P202 only
51	X8600	switch housing assembly comes with X8023 (except P171 & P201 require X8023A)

NOT ILLUSTRATED

	X8213	nut for X8210-1
	X8222	1/4"-20x3/4" socket set screw for X8011 handle
	SW47	motor start switch, small 1 pr. contacts all 1 & 1 HP Howell
	SW48	motor start switch, large, 2 pr. contacts 1-1/2HP Howell
	PX28	insulator boot for P202, P172 toggle switch
	SB17	sand paper driver for P171SD
	SW46	stationary switch, small, 2 pair contacts fits Howell 1 HP, Doerr 1-1/2 HP
	SW39	20 mp toggle switch for P202, P172
	X8034-2	50 amp, 60 cycle rectifier for P202, P172
	X8512	carbon brush P202, P172 (4 req)
	X8526	rotating switch for 1 & 1 1/2 HP Doerr
	X8530	2 speed control for P202, P172
	F3P	motor coupling
	T2095	203 motor bearing
	X8220	long, switch housing screw
	X8210-1	short switch housing screw & nut