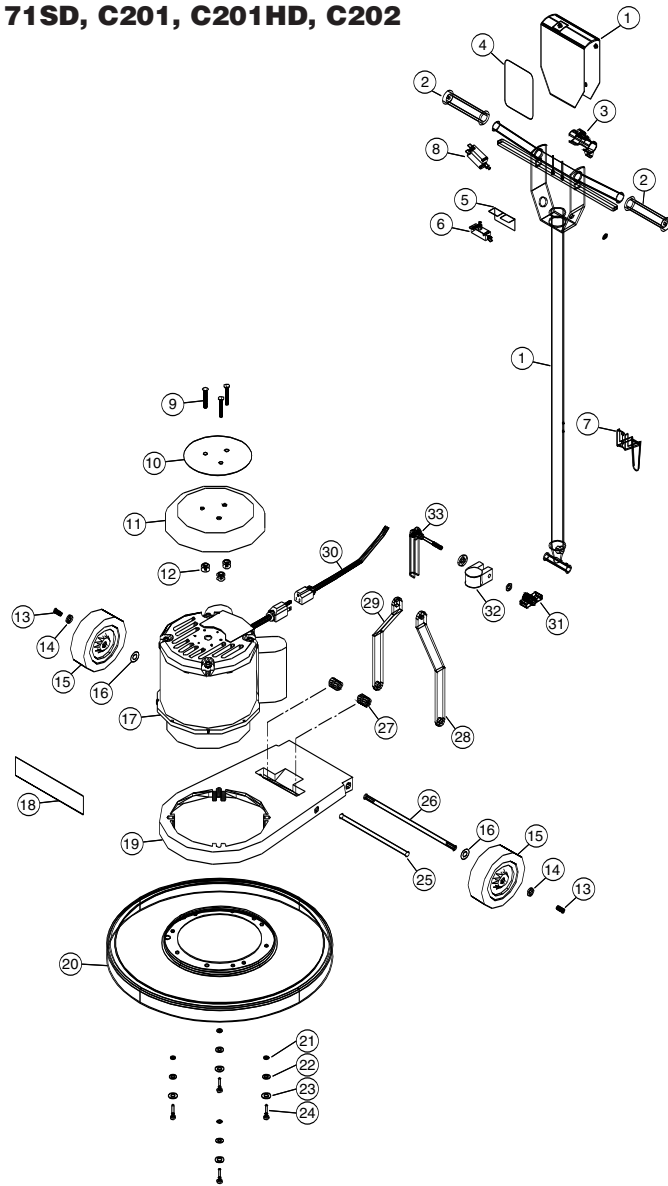


**Models C171, C171HD, C171SD, C201, C201HD, C202**



ref #	order	description
1	<b>X8911</b>	Handle, All Metal
	<b>M8600-3</b>	Handle assembled (includes #1 through #7)
2	<b>X8941</b>	Handle grip 1" diameter
3	<b>X8914</b>	Thumb switch actuator
4	<b>X8927</b>	Label Logo, Metal handle
5	<b>X8923</b>	Insulation sheet 2.5 x 2 x .015
6	<b>F5P</b>	Switch 25 amp sp momentary w/nuts
7	<b>X8013</b>	Cord hook, plated
8	<b>X8023</b>	Circuit breaker, 15 amp. C171, C201
	<b>X8023A</b>	Circuit breaker, 17 amp. C171HD, C201HD
9	<b>X8266</b>	10-32 x 3/4 fmhs ss
10	<b>X8982</b>	Label 17" 1hp 175 rpm
	<b>X8983</b>	Label 20" 1hp 175 rpm
	<b>X8984</b>	Label 17" 1-1/2hp 175 rpm
	<b>X8985</b>	Label 20" 1-1/2hp 175 rpm
	<b>X9101</b>	Label dual speed classic C202
11	<b>X8965</b>	Motor cover
12	<b>X8106</b>	Spacer, motor cover, metal floor machines
13	<b>X8265</b>	Screw 1/4-20 x 3/4 flat phillips
14	<b>X8020</b>	Washer, Countersunk, axle
15	<b>X8024</b>	Wheel, black, 5" x 1-1/4"
16	<b>X8101</b>	Washer, spring, 1" OD x 1/2" ID
17	<b>X8980</b>	Motor 1-1/2 hp 120/240v 60hz C171HD, C201HD
	<b>X8981</b>	Motor 1 hp 120/240v 60hz C171, C201
	<b>X8071</b>	Motor assembly 2 speed w/ 10:1 gearbox C202

ref #	order	description
18	<b>X8400A</b>	Powr-Flite Label
19	<b>X8966</b>	Motor base, metal
20	<b>X8967</b>	Brush cover 17" metal w/ bumper
	<b>X8968</b>	Brush cover 20" metal w/ bumper
21	<b>X8212</b>	Washer 1/4 med split lock zinc
22	<b>X8218</b>	Washer 5/16 sae flat zinc
23	<b>X8219</b>	Washer 3/8 sae falt zinc
24	<b>72455A</b>	Screw 1/4-20 x 1-3/4 hex cap
25	<b>X8977</b>	Pivot pin metal floor machine
26	<b>X8979</b>	Axle, wheel
27	<b>X8107</b>	Spacer, handle, metal floor machine only
28	<b>X8807L</b>	Handle brace, left w/ slot
29	<b>X8807R</b>	Handle brace, right w/ hole
30	<b>X8989</b>	Cord 14/3 SJTW 51.25 black (in handle)
31	<b>X8016</b>	Knob, plastic, handle clamp
32	<b>X8012</b>	Clamp, collar, handle
33	<b>X8014-SA01</b>	Cam lever assembly (includes X8016 and washers)

NOT ILLUSTRATED

	<b>X9049</b>	Motor screen 2 speed classic C202
	<b>X9050</b>	Motor screen spring 2 speed classic C202
	<b>PX7</b>	Toggle switch 20a/125v classic 2 speed C202
	<b>PX28</b>	Boot rubber toggle switch C202 classic 2 speed