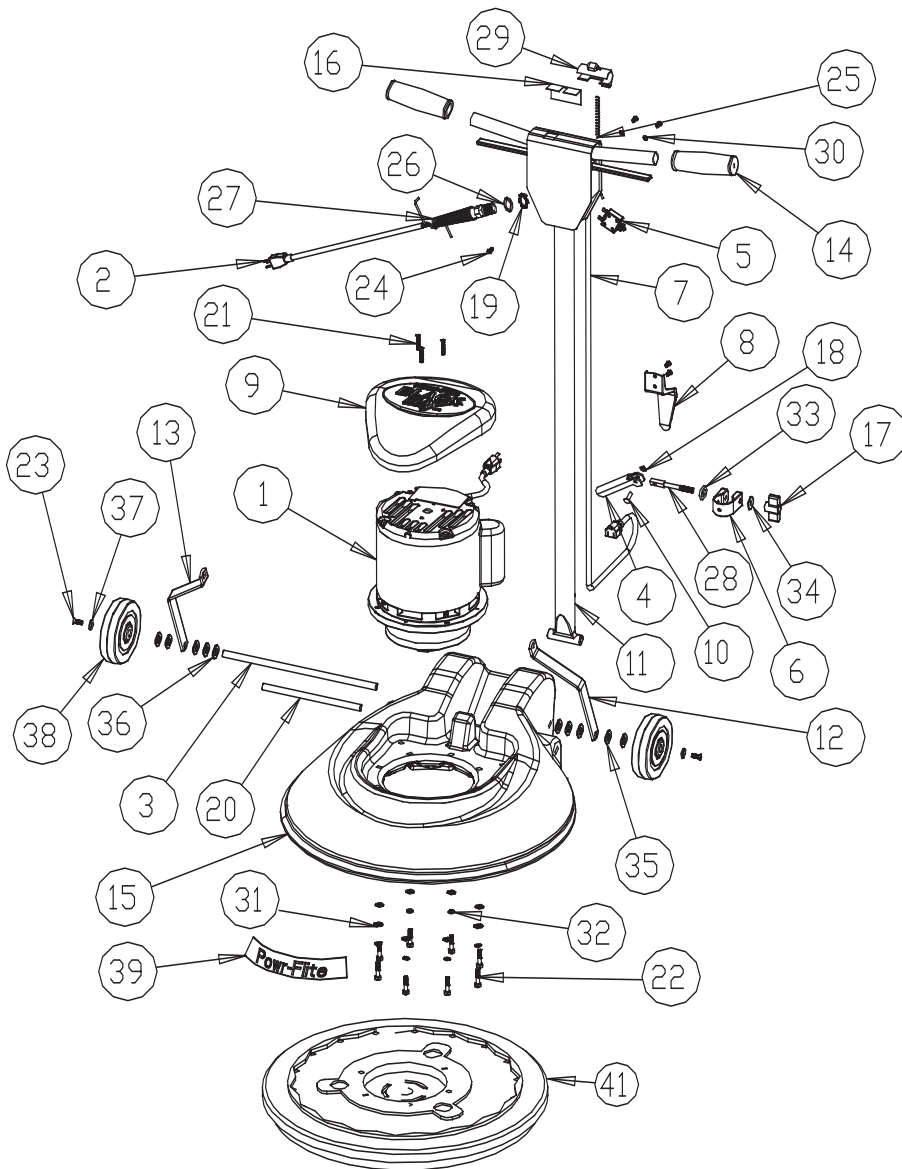


PARTS LIST



REF#	DESCRIPTION	ITEM #
1	175 rpm, 1 hp motor	X8981
	175 rpm, 1.5 hp motor	X8980
	175/320 rpm, 1.5 hp motor	X8071P
2	50' 14/3 STWA cord	M1369G
3	axle	X8936
4	cam lever handle	X8014
5	15a circuit breaker	X8023
6	handle clamp collar	X8012
7	4' 14/3 STWA cord, black	X8989
8	cord hook	X8013
9	motor cover	X9420
10	dowel pin	X8031
11	handle assembly	X8911
12	left handle brace	X8807L
13	right handle brace	X8807R
14	handle grip	X8941
15	17" housing	X9418
	20" housing	X9419
16	insulation sheet	X8923
17	handle clamp knob	X8016
18	1/4" lock nut	X8032
19	1/2" lock nut	X8008N
20	pivot pin	X8977
21	10 - 32 X 1 1/4" screw	X9422
22	1/4 - 20 X 1 1/4" screw	X8226
23	1/4 - 20 X 3/4" screw	X8265
24	10 - 24 X 1/2" screw	X8207
25	safety trigger spring	X8915
26	strain relief washer	SR36
27	strain relief	SR37
28	cam lever stud	X8015
29	safety trigger switch	X8914
30	#10 tooth washer	7CY001
31	1/4 flat washer	X8235
32	1/4 split lock washer	X8212
33	slotted cam washer	X8028
34	5/6" X1" washer	X9374
35	nylon washer	X8108
37	countersunk axel washer	X8020
38	5" wheel	X8024
39	label	X8400C
40	17" pad driver	TPD17
	20" pad driver	TPD20

Limited Warranty

The manufacturer warrants to the original purchases that products manufactured are free from defects, provided such goods are installed, operated and maintained in accordance with written manuals or other instructions, for a period of lifetime on the housing, 5 years on the motor, 3 years on the transmission, 1 year on all other parts and workmanship, from date of original purchase.