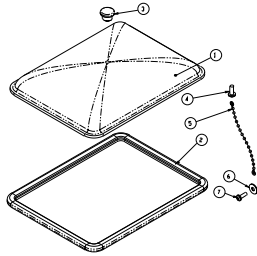
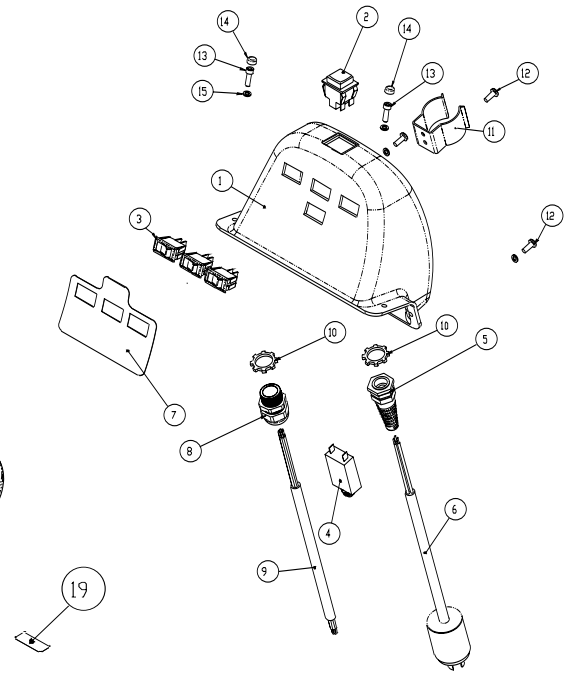


**SELF-CONTAINED EXTRACTOR PFX900S PARTS**

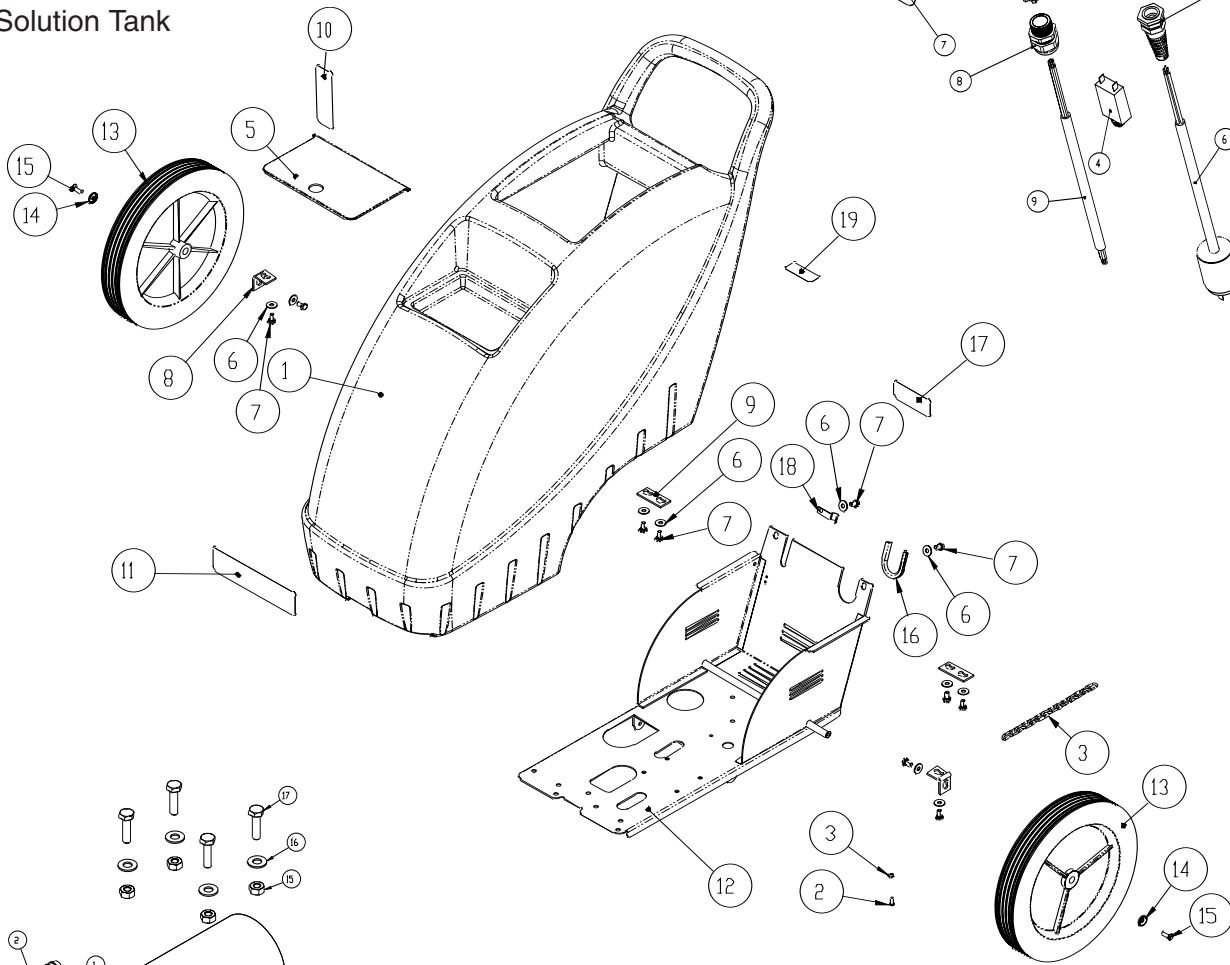
**Recovery Dome**



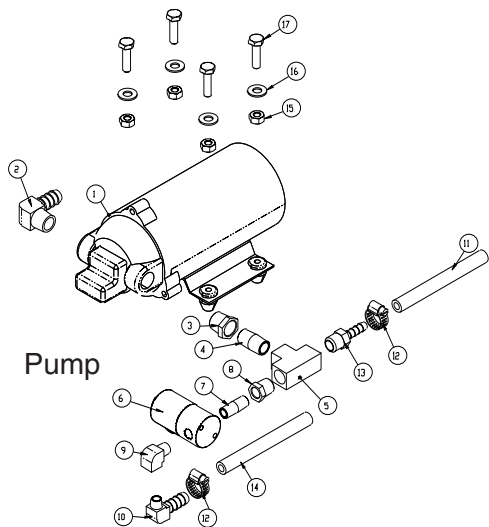
**Control Panel**



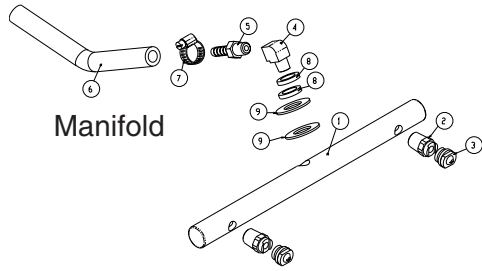
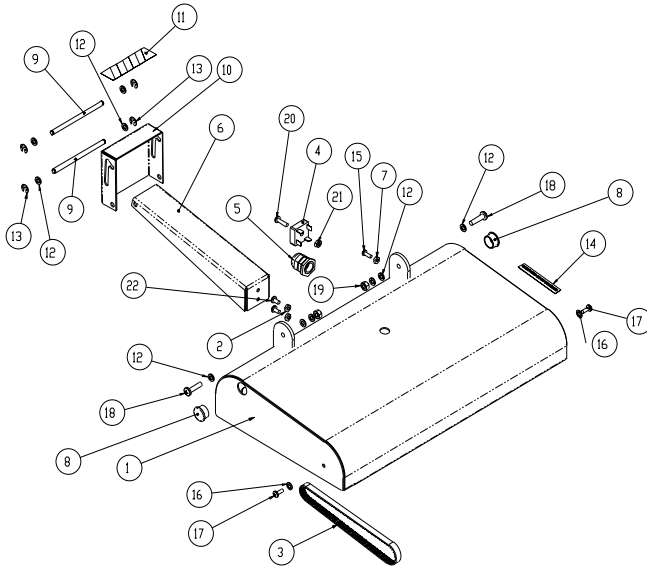
**Solution Tank**



**Pump**

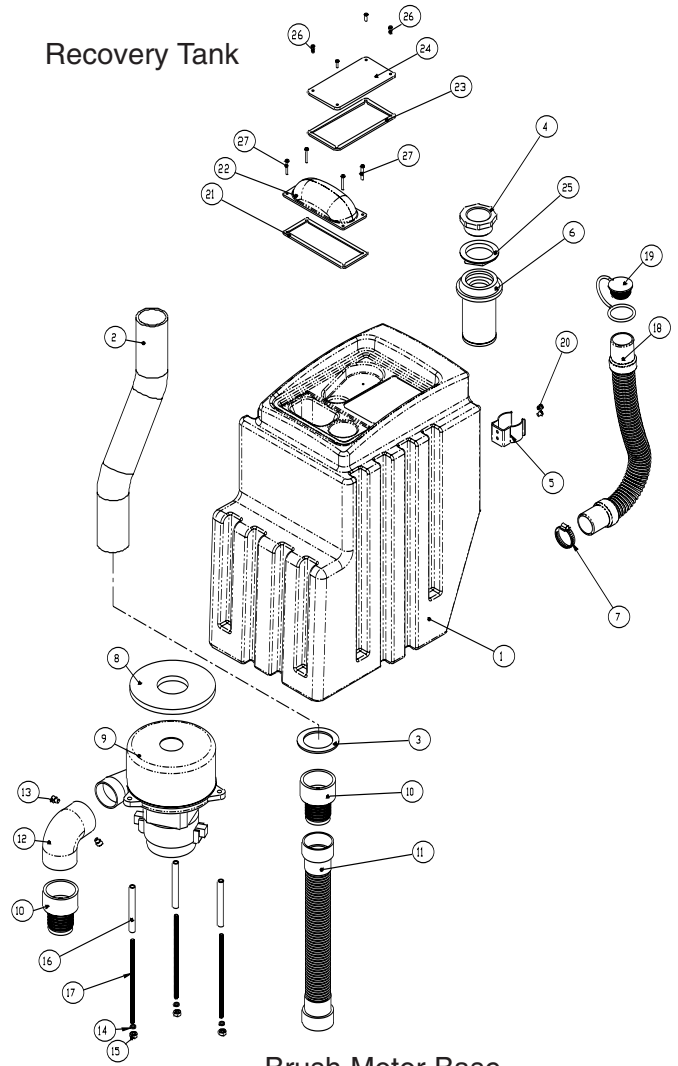


## Brush Housing

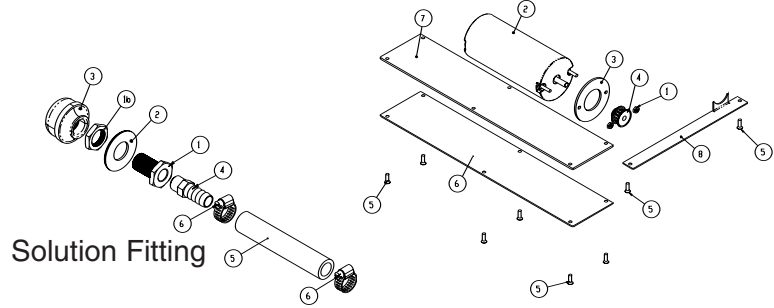


Manifold

## Recovery Tank

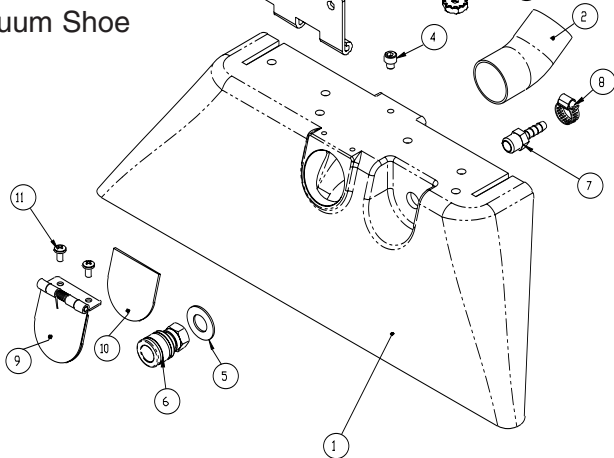


Brush Motor Base

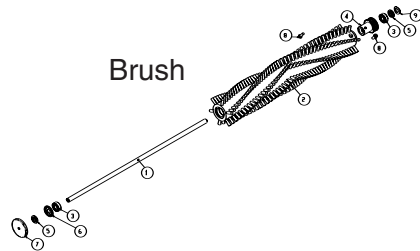


Solution Fitting

## Vacuum Shoe



## Brush



## SELF-CONTAINED EXTRACTOR PFX900S PARTS

ref#	order#	description
<b>BRUSH HOUSING :</b>		
1	<b>X9015</b>	brush housing weldment
2	<b>7BF008</b>	nut
3	<b>X9004</b>	brush drive belt
4	<b>X9003</b>	bridge rectifier
5	<b>X8055</b>	strain relief
6	<b>X9107</b>	brush lift bracket
7	<b>X8256</b>	nut
8	<b>72142A</b>	plug, 7/8" black nylon
9	<b>X9030</b>	foot pedal pin
10	<b>X9026</b>	brush lift pedal
11	<b>X9122</b>	safety walk tape, 1" wide, black
12	<b>72241A</b>	washer
13	<b>X9114</b>	e-ring
14	<b>X9128</b>	label
15	<b>7BS002</b>	screw
16	<b>7CY001</b>	washer
17	<b>71651A</b>	screw
18	<b>7CW003</b>	screw
19	<b>X8237</b>	nut
20	<b>7BR005</b>	screw
21	<b>X8830</b>	nut
22	<b>7BH004</b>	screw
<b>BRUSH MOTOR BASE:</b>		
1	<b>X8830</b>	nut
2	<b>X9002</b>	motor, 120V DC
	<b>X9119</b>	motor, 220V DC - for 220v model only
3	<b>X9099</b>	spacer
4	<b>X9116</b>	drive pulley
5	<b>X9118</b>	screw
6	<b>X9015</b>	motor cover
7	<b>X9126</b>	gasket, brush motor cove
8	<b>X9015B</b>	belt cove
<b>BRUSH:</b>		
1	<b>X9017</b>	brush axle
2	<b>X9070</b>	brush, 3" diameter x 18" chevron
3	<b>X9001</b>	brush bearing
4	<b>X9117</b>	brush driven pulle
5	<b>X9018</b>	brush bearing spacer, nylon
6	<b>X9019</b>	brush bearing shield
7	<b>X9020</b>	brush thread guard
8	<b>X9118</b>	screw
9	<b>X9115</b>	washer
<b>CONTROL PANEL:</b>		
1	<b>X9043</b>	housing, cover, blue
2	<b>X9008</b>	push button switch
3	<b>X9007</b>	rocker switch
4	<b>72086A</b>	circuit breaker, 2.5 amp
5	<b>X8008P</b>	strain relief, plastic
6	<b>72315A</b>	power cord
7	<b>X9093</b>	label, 3-hole switch panel
	<b>X9094</b>	label, 3-hole switch panel - models w/heater
8	<b>PD8</b>	strain relief
9	<b>M1409</b>	14/8, 600 volts cord
10	<b>X8008N</b>	nut, lock
11	<b>72049A</b>	spring clip
12	<b>71651A</b>	screw
13	<b>X9135</b>	screw
14	<b>7DN004</b>	nut cap
15	<b>7CM003</b>	washer
<b>MANIFOLD:</b>		
1	<b>X9021</b>	spray manifold
2	<b>X9141</b>	miniature nozzle bod
3	<b>X9139</b>	miniature nozzle tip
4	<b>7AK003</b>	elbow, union
5	<b>PC66</b>	fitting, brass, 1/8 nptm x 1/4 hose bar
6	<b>X8542</b>	hose, solution
7	<b>7DL003</b>	clamp
8	<b>X8293</b>	washer, nylon
9	<b>7CM007</b>	washer
<b>PUMP, 100 PSI:</b>		
1	<b>SF814</b>	100 p.s.i. Shurflo pump, 115V
	<b>FJ2002</b>	100 p.s.i. Shurflo pump - for 220V models only
2	<b>71507A</b>	elbow, 1/2h - 3/8 mpt, 90°
3	<b>PC20</b>	reducer, 3/8" male x 1/4" female
4	<b>PX32</b>	fitting, brass, 1/4" close nipple
5	<b>7AV001</b>	1/4 female tee
6	<b>SW132</b>	solenoid, 120V, 250 p.s.i.
	<b>SW132-5</b>	solenoid, 220V, 400 p.s.i. - for 220v models
7	<b>PC45</b>	1/8" close nipple
8	<b>7AG002</b>	bushing
9	<b>SW139</b>	1/8" street elbow, 90°
10	<b>7AT006</b>	barb, elbow, 90
11	<b>71817A</b>	hose, 1/4" braide

ref#	order#	description
12	<b>7DL003</b>	clamp
13	<b>7AT003</b>	hose barb
14	<b>X8542</b>	hose, solution
15	<b>X8237</b>	nu
16	<b>X8858</b>	washer
17	<b>X8211</b>	bolt
<b>RECOVERY DOME:</b>		
1	<b>X9034</b>	recovery tank dome
2	<b>X9124</b>	recovery dome gasket
3	<b>X9110</b>	knob, large dome li
4	<b>X9098</b>	screw
5	<b>X9068</b>	chain
6	<b>7CM003</b>	washe
7	<b>X8849</b>	screw
<b>RECOVERY TANK:</b>		
1	<b>X9041</b>	recovery tank housing, blue
2	<b>X9129</b>	vacuum stack assembl
3	<b>PX14A</b>	gasket
4	<b>X9075</b>	bushing
5	<b>72173A</b>	spring cli
6	<b>X9053</b>	float cage
7	<b>7DL005</b>	clam
8	<b>X9120-1</b>	vacuum motor gasket
	<b>72365A</b>	3-stage vacuum moto
10	<b>PX65</b>	fitting, plastic
11	<b>X9092</b>	vac hose w/cuff
12	<b>PX11A</b>	fitting, plastic elbow, 90°
13	<b>X8222</b>	screw
14	<b>X8212</b>	washe
15	<b>X8213</b>	nu
16	<b>72605A</b>	space
17	<b>X8289</b>	screw
18	<b>PAS37</b>	drain hose
19	<b>PAS36</b>	plug, drain hose
20	<b>X8262</b>	screw
21	<b>X9071</b>	gasket
22	<b>X9033</b>	small dome
23	<b>X9084</b>	cover gasket
24	<b>X9080</b>	recovery tank float cover
25	<b>PX46</b>	nut, lock
26	<b>X9142</b>	screw
27	<b>X9143</b>	screw
<b>SOLUTION FITTING:</b>		
1	<b>PX48</b>	fitting, brass bulkhead
2	<b>72274A</b>	washer
3	<b>71495A</b>	pump protection filter
4	<b>7AT017</b>	barb, beaded
5	<b>70079C</b>	hose, 1/2" wire reinforced
6	<b>7DL008</b>	clamp, 1/2" worm gear
<b>VACUUM SHOE:</b>		
1	<b>X9009</b>	vacuum shoe, aluminum
2	<b>X9013</b>	vacuum shoe tub
3	<b>X9014</b>	hinge
4	<b>X8222</b>	scrc
5	<b>7CM007</b>	washer
6	<b>PX6</b>	1/4 x 1/4 female quick disconnect brass fitting
7	<b>7AT003</b>	hosebarb fitting
8	<b>7DL003</b>	clamp, 1/4" worm gear
9	<b>X9096</b>	flip door hinge w/ spring assembly
10	<b>X9097</b>	gasket, flip door
11	<b>7BH004</b>	screw
12	<b>7CL002</b>	washer
13	<b>X8282</b>	bolt
14	<b>X8209</b>	screw
15	<b>7CY002</b>	washer
16	<b>7CN001</b>	nut
<b>SOLUTION TANK:</b>		
1	<b>X9042</b>	housing, solution, blue
2	<b>7BS002</b>	screw
3	<b>X8256</b>	nut
4	<b>X9144</b>	28" chain
5	<b>X9081</b>	lid, solution tank
6	<b>X8235</b>	washer
7	<b>X8209</b>	screw
8	<b>X9086</b>	bracket, tank mount
9	<b>X9085</b>	bracket, tank mountin
10	<b>X9125</b>	label, tank capacit
11	<b>X8400A</b>	Powr-Flite label
12	<b>X9012</b>	main chassis
13	<b>X9066</b>	wheel, blac
14	<b>X8020</b>	washer, countersunk axle
15	<b>X8265</b>	screw
16	<b>X9109</b>	grommet
17	<b>X9057</b>	label, oper
18	<b>X9111</b>	cord clamp
19	<b>X9134</b>	brush warning label

**Motors not running****CAUSE:**

- 1) Power not reaching main switch.
- 2) Defective power cord.
- 3) Faulty switches or wiring.
- 4) Blown fuse or tripped circuit breaker
- 5) Problem with brushes, field windings, or armatures. (vacuum or brush motor)

**SOLUTION:**

- 1) Check power supply. Check fuses/circuit breaker. Contact service center.
- 2) Replace with 14 guage cord.
- 3) Contact manufacturer or service center.
- 4) Reset circuit breaker according to operating instructions or replace fuse if qualified..
- 5) Contact manufacturer or service center.

**Loss of vacuum suction****CAUSE:**

- 1) Vacuum head blocked.
- 2) Hoses blocked.
- 3) Recovery tank not sealed properly.

**SOLUTION:**

- 1) Visually inspect and clear blockage.
- 2) Visually inspect and clear blockage.
- 3) Check tank for damage or adjust lid for proper fit.

**Brush not functioning properly****CAUSE:**

- 1) Belt broken.
- 2) Brush jammed.
- 3) Clutch bearing seized.

**SOLUTION:**

- 1) Replace belt.
- 2) Visually inspect and clear blockage.
- 3) Contact manufacturer or service center.

**Spray jet not functioning properly****CAUSE:**

- 1) Jet blocked.
- 2) Solution filter blocked.
- 3) Pump head, valves or diaphragm blocked or damaged.
- 4) Solenoid valve inoperative

**SOLUTION:**

- 1) Visually inspect and clean according to operating instructions.
- 2) Visually inspect and clean according to operating instructions.
- 3) Contact manufacturer or service center.
- 4) Contact manufacturer or service center.

**WARRANTY-PLUS**  
**Powr-Flite**  
*Value Assurance Package.***5 YEARS** on  
*One Piece*  
*Housing***2 YEARS** on  
*Brush Motor***1 YEAR** on  
*Parts & Our*  
*Workmanship***WARRANTY**

**The manufacturer warrants to the original purchaser that products manufactured are free from defects of workmanship and material, provided such goods are installed, operated and maintained in accordance with written manuals or other instructions for a period of 1 year from date of purchase on parts and workmanship. In case you as our customer, meet any trouble with your machine, contact your Powr-Flite® representative who will be happy to be of service to you and will take care of the warranty settlement.**

**NOTE: Alterations and changes made to the machine without written approval of the manufacturer and use of unapproved spare parts will not be covered by warranty.**