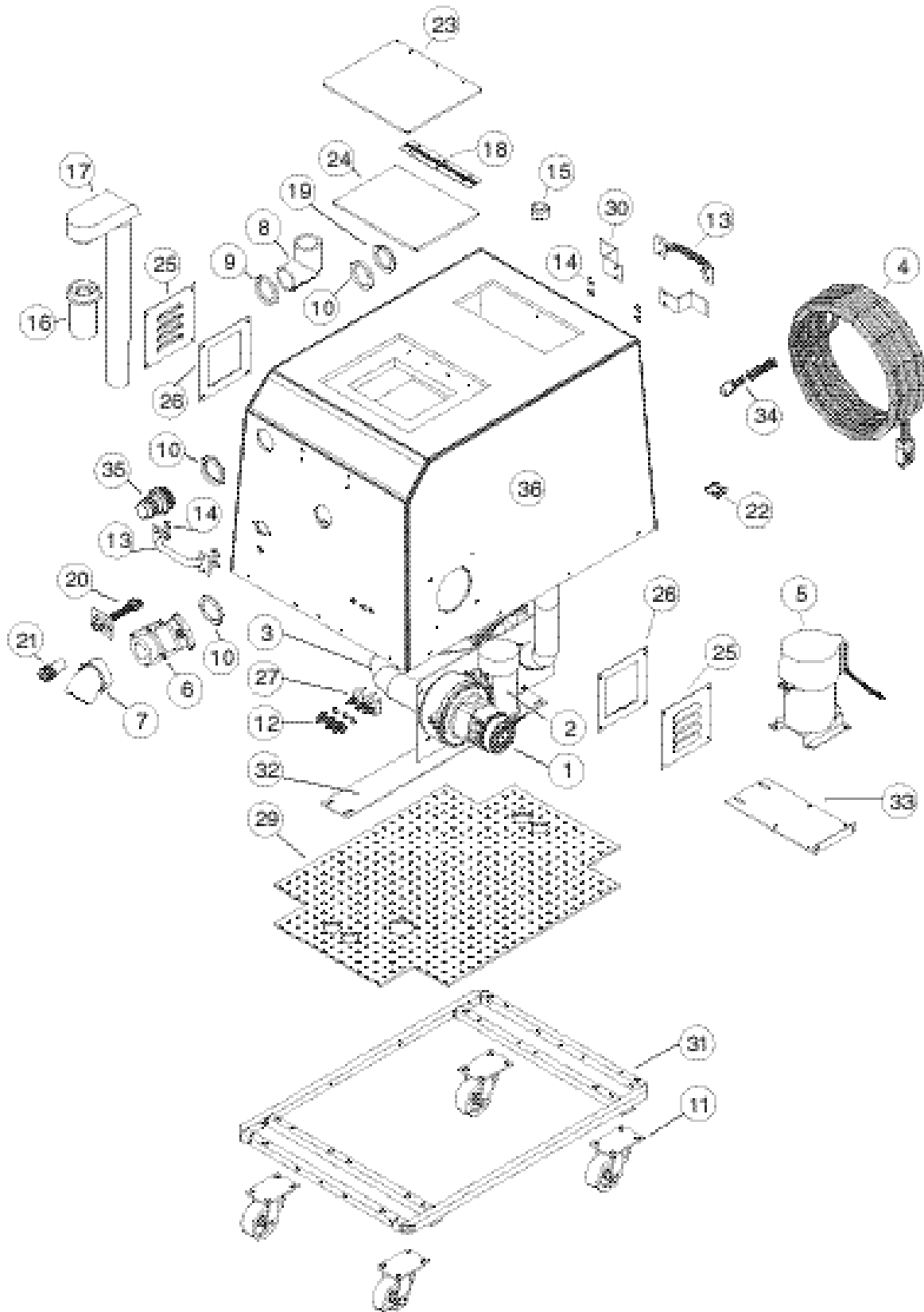


# EXTRACTORS

Parts for PFX5, PFX10 and PFX15 Series



# EXTRACTORS

## Parts for PFX5, PFX10 and PFX15 Series

ref#	order	description
1	<b>1942</b>	2 stage, 1 speed bypass motor (PFX5 1 req., PFX10S, PFX15S 2 req.)
	<b>1964</b>	3 stage, 1 speed bypass motor (PFX5S, PFX10, PFX15 1 req.)
2	<b>FJ2000X</b>	flojet duplex diaphragm, 45PSI pump PFX5, PFX5s, PFX10
	<b>FJ2030X</b>	flojet duplex diaphragm, 100 PSI pump EPDM, PFX15, PFX10S, PFX15S
3	<b>J1003GC</b>	14" hose for extractor
4	<b>M1403</b>	30' 12/3 SJTWA 30' cord, yellow
5	<b>PF1750</b>	heater unit
6	<b>PX10</b>	dump valve
7	<b>PX11</b>	dump valve elbow
8	<b>PX11A</b>	90° 2" elbow (inside waste tank)
9	<b>PX14</b>	drain valve gasket, thick
10	<b>PX14A</b>	drain valve and intake gasket, thin
11	<b>PX26</b>	3" swivel caster wheel assembly
	<b>PX26A</b>	3" polyolifin replacement wheel only
12	<b>PX28</b>	insulator boot for toggle switch
13	<b>PX29</b>	handle
14	<b>X8232</b>	10-24 1 1/4" screw, stainless
15	<b>PX30</b>	mesh screen, rubber end
16	<b>PX31</b>	float cage and ball, rubber top
	<b>PX31L</b>	float cage with hollow float ball (5 gallon)
	<b>PX20</b>	float cage (old style)
17	<b>PX33</b>	vacuum tube
18	<b>PX40</b>	lid hinge
19	<b>PX46</b>	1-1/2" die cast lock nut for PX10
20	<b>PX49</b>	powr-extractor receptacle
21	<b>PX6</b>	brass female quick disconnect coupler
22	<b>PX50</b>	bumper clamp
23	<b>PX51</b>	lid and gasket (for 10 & 15 gallon)
	<b>PX51A</b>	lid and gasket (for 5 gallon)
	<b>PX51D</b>	lid assembly complete(includes lid, gasket, hinge and screws) for 5 gallon
	<b>PX51C</b>	lid assembly (includes lid, gasket, hinge and screws for units with serial numbers beginning 600 and 7000 (for 10 and 15 gallon)
	<b>PX47</b>	extractor lid assembly (including lid, gasket and hinge) black for units with serial numbers prior to 4000 and 5000
24	<b>PX51G</b>	lid gasket
25	<b>PX53</b>	louver vent
26	<b>PX53G</b>	louver gasket
27	<b>PX7</b>	toggle switch
29	<b>PX83A</b>	bottom cover PFX5, PFX5S
	<b>PX83B</b>	bottom cover PFX10S, PFX15S
30	<b>PX9</b>	cord wrap bracket
31	<b>PX91</b>	frame (PFX10)
32	<b>PX94</b>	motor bracket
33	<b>PX97</b>	bracket, heater
34	<b>X8008</b>	flexible strain relief
35	<b>PX25</b>	1-1/2" vacuum hose adapter
36	<b>PX82</b>	fiberglass housing, 5 gallon
	<b>PX81</b>	fiberglass housing, 10 gallon
	<b>PX80</b>	fiberglass housing, 15 gallon

### PUMP REPLACEMENT PARTS

order	description
<b>PX1</b>	pressure switch only (FJ2000X only), 45 PSI
<b>PX15</b>	3/8" 90° elbow fitting
<b>PX15A</b>	1/4" 90° elbow fitting
<b>PX15B</b>	3/8" straight fitting
<b>PX37</b>	switch and housing assembly only (FJ2030X)
<b>FJ5</b>	internal rectifier with leads
<b>FJ6</b>	pump diaphragm repair kit for 2000 and 2100 series pumps
<b>FJ7</b>	pump diaphragm repair kit for 2030 and 2130 series pumps
<b>FJ11</b>	check valve only FJ2000X
<b>FJ12</b>	check valve (2030-577B series) 100 PSI pump
<b>FJ14</b>	check valve (2130-577B series) 100 PSI pump
<b>FJ18</b>	1-spring and 1-poppet for FJ14 100 PSI pump
<b>FJ20</b>	HeavyDuty Pressure Switch, for 2130/2135 Series

Fax Orders to 817.551.0719

### NOT ILLUSTRATED

order	description
<b>PFX-NS</b>	stainless steel wand, 100 PSI (PFX15, PFX15S,
<b>PX10A</b>	T-handle, dump valve
<b>PX12</b>	connector plate for receptacle
<b>PX13</b>	motor gasket 1942 motor (PFX15S, PFX10S, PFX5)
<b>PX13X</b>	motor gasket 1964 motor (PFX15, PFX10, PFX5S)
<b>PX17</b>	brass 1/4" 45° elbow for wands
<b>PX18</b>	kingston valve for blue wand
<b>PX19</b>	brass valve & trigger assembly, fits all PFX wands
<b>PX2</b>	100 PSI spray tip, blue wand
<b>PX22</b>	fibre washer for wand
<b>PX23</b>	20" internal solution hose (10 & 15 gallon)
<b>PX23A</b>	16" internal solution hose (10 & 15 gallon)
<b>PX23B</b>	6" internal solution hose (5 gallon)
<b>PX23D</b>	12" internal solution hose (5 gallon)
<b>PX23W</b>	42-1/2" solution hose only for stainless steel wand
<b>PX24</b>	39" solution hose assembly for blue wand
<b>PX24A</b>	solution hose for stainless steel wand
<b>PX26B</b>	torque nut for replacement wheel
<b>PX26C</b>	axle bolt for replacement wheel
<b>PX29G</b>	gasket, handle
<b>PX2A</b>	45 PSI spray tip, 95° no. 10, for blue wand
<b>PX2B</b>	45 PSI spray tip, 110° no. 10
<b>PX2C</b>	100 PSI spray tip, 110° no. 6
<b>PX32</b>	1/4" brass nipples for solution hose
<b>PX36</b>	wire harness
<b>PX4</b>	valve lever, blue wand
<b>PX42</b>	5/8" stainless steel solution hose clamp
<b>PX43</b>	2-3/4" stainless steel solution hose clamp
<b>PX44</b>	valve mounting bracket (2 required)
<b>PX48</b>	3/4" brass fitting
<b>PX48G</b>	gasket
<b>PX4A</b>	valve lever and roll pin, stainless steel wand
<b>PX5</b>	brass, male coupler
<b>PX54</b>	handle grip, stainless steel wand
<b>PX55</b>	one ear solution hose clamp
<b>PX58</b>	valve and lever assembly, Polyolifin, fits all
<b>PX8</b>	brass male hose barb
<b>PX84</b>	female 3/8" hose barb
<b>PX85</b>	male 3/8" hose barb
<b>X8008N</b>	nut for strain relief
<b>X8030A</b>	80" bumper
<b>X8030D</b>	60" bumper
<b>X8055</b>	cable strain relief
<b>X8238</b>	lid hinge screws
<b>X8240</b>	6-32 stainless nut
<b>X8241</b>	10-24 hex nut, stainless
<b>X8245</b>	screw, bottom cover
<b>X8250</b>	cushion stop

### HOSES

order	description
<b>1501WDS</b>	10' TMHD blue/black with cuffs attached and solution line
<b>1502WDS</b>	15' TMHD blue/black with cuffs attached and solution line
<b>1503WDS</b>	25' TMHD blue/black with cuffs attached and solution line
<b>1501WD</b>	10' TMHD blue/black with cuffs attached
<b>1502WD</b>	15' TMHD blue/black with cuffs attached
<b>1503WD</b>	25' TMHD blue/black with cuffs attached
<b>1504WDSI</b>	20 feet vac and internal solution hose with cuffs and fittings
<b>1505WDSI</b>	30 feet vac and internal solution hose with cuffs and fittings

Orders before 1 PM Ship The Same Day!