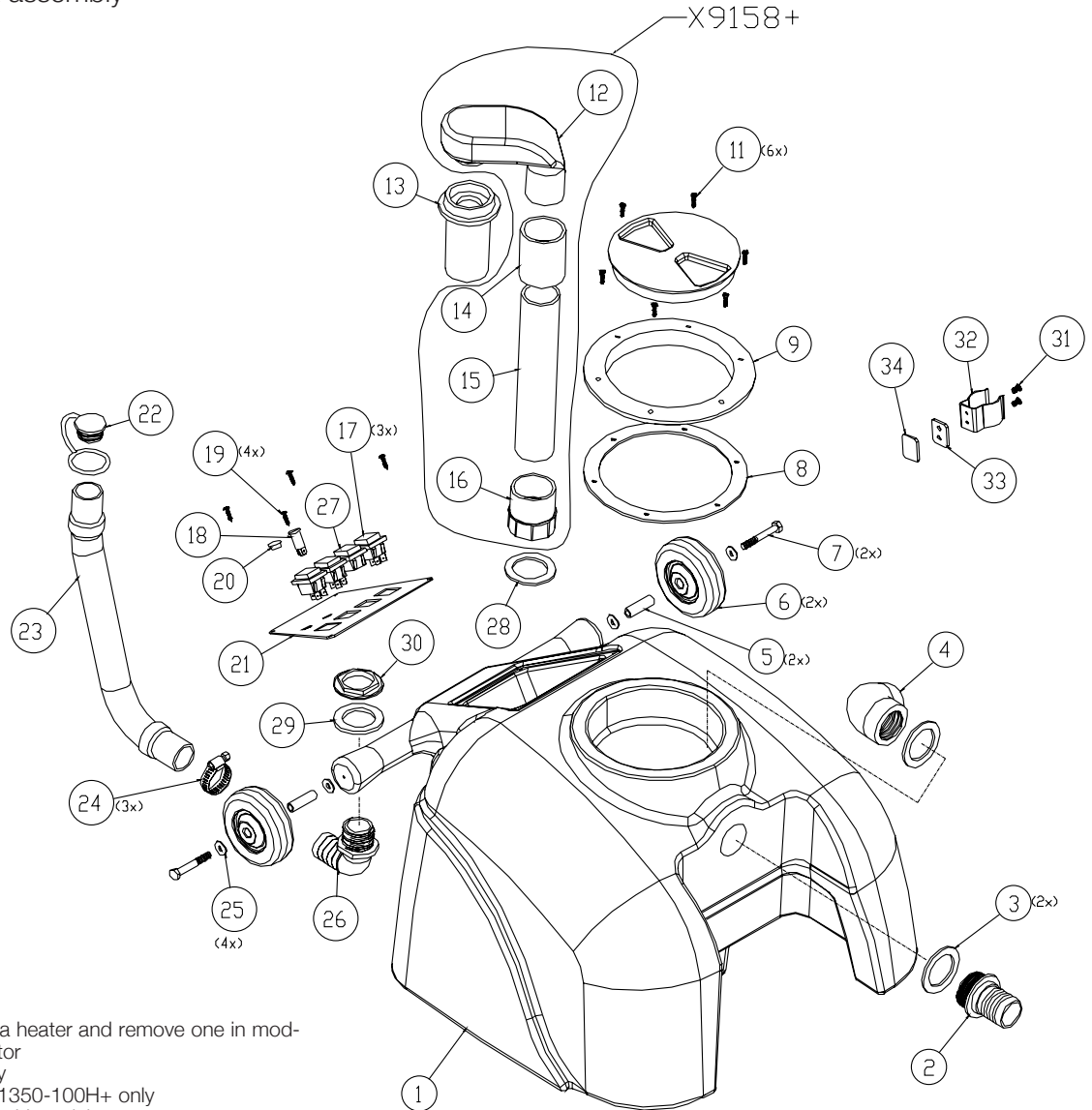


MODEL PFX1380 SERIES CARPET EXTRACTOR PARTS

PFX1380 recovery tank assembly



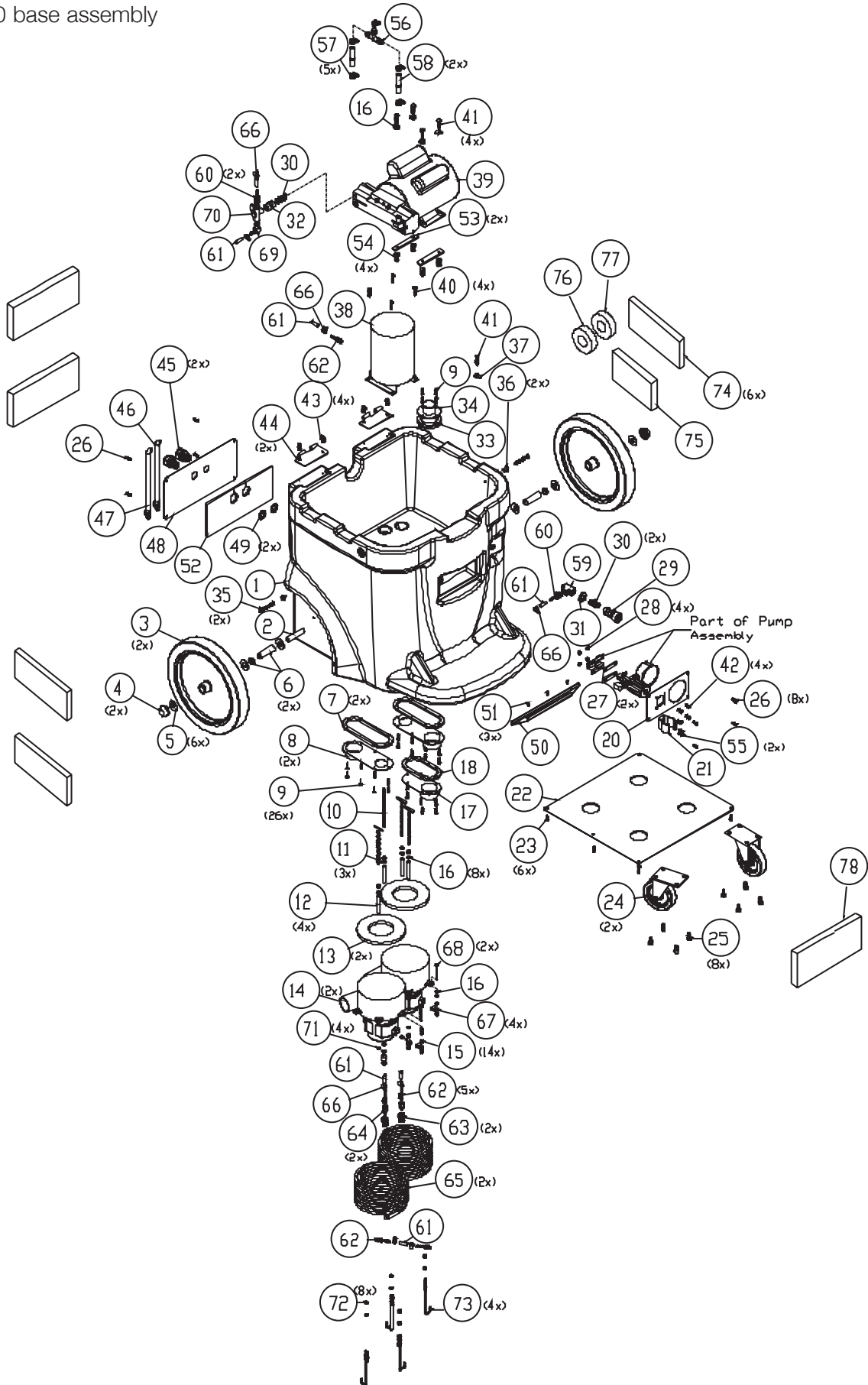
- * remove on in models without a heater and remove one in models with only one vacuum motor
- ** For models with a heater only
- *** For PFX1350-CN+ and PFX1350-100H+ only
- ****For PFX1350-100H+ and 230V models

ref#	order#	description
1	X9113	Housing, Recovery Tank
	X9113G	Housing, Recovery Tank, Gray
	X9113H	Housing, Recovery Tank, Heavy 230V models
2	PX25tic,	Bulkhead, 1-1/2" NPT x 1-1/2" Hose Barb
3	PX25	Dump Valve Gasket, 1-1/2" Thin,
4	72486A	Spacer, 1.625 Long, .50 OD, .313 ID
5	72486A	Spacer, 1.625 Long, .50 OD, .313 ID
6	X8025	Wheel, Black, 4" x 1-1/4"
7	72645A	Bolt, 5/16 -18 x 2 - 1/ 4, Hex
8	PX103G	Gasket, Lid, 8" OD x 6-5/8 ID, x 1/8" Thick
9	PX103	Lid, Screw-in, 6" Clear, w/ Black ring
10	72656A	Hose, 1-1/2 Wire-Reinforced, Black
11	X8295	Screw, #8 x 3/ 4, Phil Flat TS, Type A Black Zinc
12	PX33	Vacuum Tube
13	PX31	Float Cage w/ Heavy Ball
14	72615A	Coupling, PVC, 1-1/2 Slip x Slip
15	X9154	Pipe, PVC, Schedule 40, 1-1/2, 9.5" Long
16	Px63	Coupling, Plastic, 1-1/2" Slip x 1-1/2FTP
17*	PX87	Rocker Switch, DPST, 20A, w/ Protective Cover
18**	X8102	Neon Light w/ Lens, Orange - For Heater Units only
19	72387A	Screw, #8 x 5/8", black, Tap, phil pan
20**	PX86	Indicator Light, Green, 250V - For Heater units only
	****	71804A Plug, 1/ 2" Black Nylon - For PFX1350 - 100H+ only
21	X9152	Switch Panel without Heater
	**	X9130 Switch Panel with Heater - For heater Units only
22	PAS36	Plug, Drain Hose

			2 (2x)
			24
			10
ref#	order#	description	
23	PAS37	Drain Hose	
24	7DL005	Clamp, 1-1/2" Worm Gear SS, Hex Slot, Size 20	
25	X8235	Washer, 1/ 4 Flat USS Zinc	
26	7GR016	Elbow, 1-1/4H - 1-1/4M, nylon	
27***	X9173	Switch Hole Plug - For PFX1350-100H+ and PFX1350-CN+	
28	PX14	Dump Valve Gasket, 1-1/2", 2.50 x 1.75 Rubber	
29	X9164	Gasket, 1-1/4" Fitting	
30	X9165	Nut, Lock, 1-1/4"	
31	7BH004	Screw, 10-32x3/8" Phil Pan MS, 18-8 SS	
32	72713A	Spring Clip, Black Vinyl Coated	
33	72170A	Nut Plate, Clip	
34	72175A	Gasket, Nut Plate	

MODEL PFX1380 SERIES CARPET EXTRACTOR PARTS

PFX1380 base assembly



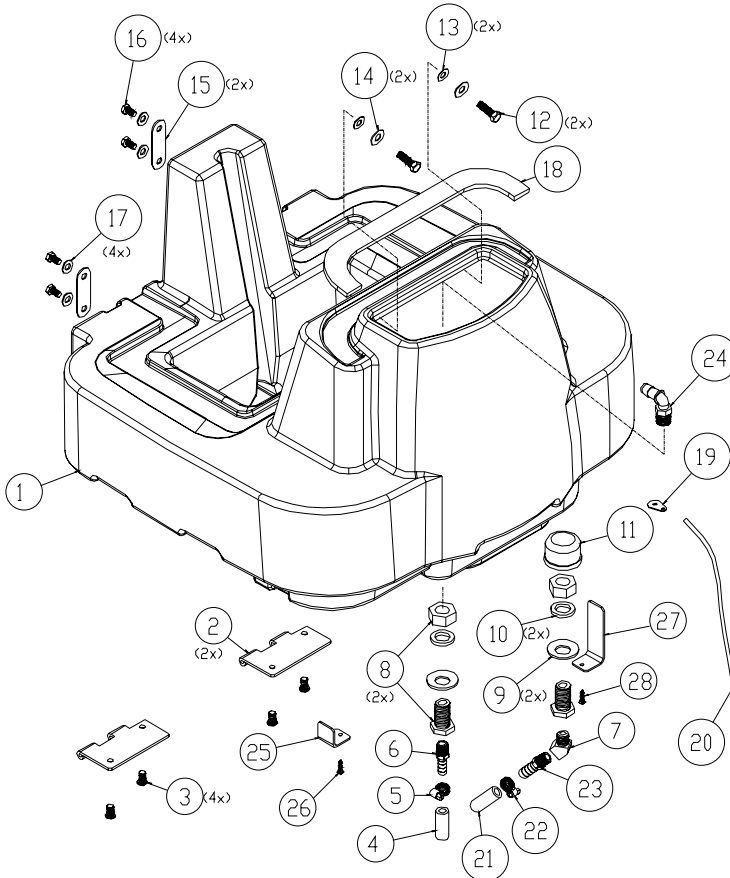
MODEL PFX1380 SERIES CARPET EXTRACTOR PARTS

PFX1380 base assembly

ref#	order#	description
1	72620AB	housing, base, black
2	72633A	axle
3	X9066	wheel, 12" x 1.75" non-marking,
	PX106B	wheel, 12" w/ 3/4" bore, all black
4	7GL002	push nut
5	7CM007	washer, 1/2 uss flat, 18-8 ss
6	72634A	bushing, 1/2" id x 3/4" od x 2-1/4" long
	72635A	spacer, 1/2" id x 3/4" od x 1/4" long
7	72640A	gasket, vac manifold, long
8	72623A	cover, vacuum manifold, long
9	7CW002	screw, #6 x 3/4 phil pan ts, type a 18-8 ss
10	72000A	rod, 3/16 x 5-1/2, all thread stud, 18-8 ss
11	72657A	screw, 10-24 x 4" long, hex head
	72658A	screw, 10-24 x 5" long, hex head
12	72651A	spacer, vac motor, 2.375" long
13	70020B	gasket, vacuum motor seal
14	1942-IE	vacuum motor, 115 vac, 104 cfm, 2 stage
	72365A	vacuum motor, 3 stage, 120v
15	7BF003	nut, kep, #10-24 zinc
16	7CM003	washer, #10 uss flat, 18-8 ss
17	72624A	cover, vacuum manifold, short
18	72641A	gasket, vac manifold, short
19	PX117A	gauge, 0-300 psi, 2-1/2", abs
	PC38	connector, double thread
20	72638A	pressure regulator plate
	X9157	cover, pressure regulator plate
21	72173A	spring clip, black vinyl coated
22	72636A	cover plate, bottom
23	72388A	screw, #10 x 5/8, tap phil, ss pan head
24	PX65	caster, 4" black

ref#	order#	description
25	72490A	screw, 5/16-18 x 5/8, cap screw w/ hex socket
26	72387A	screw, #8 x 5/8, black, tap phil, pan head
27	72639A	gasket, mounting pressure regulator
28	X8256	nut, 8-32 keps, zinc
29	70063B	coupler, valved 1/4, quick disconnect
30	7CX002	nipple, hex 1/4 mpt
31	72115A	washer, 5/8 x 1-3/16, bonded seal, galvanized
32	PC38	connector, double thread, female
33	72642A	gasket, vac manifold, circle
34	72625A	cover, vacuum manifold, circle
35	72627A	gasket, pump mounting
36	72626A	pump mounting plate
37	X9069	end loop, ss, w/ 2 holes, 16g
38	PF1750	heater unit, 1750 watts
	PF1200	heater, 1200w for low flow
	PF2000	heater, 2 1000 watt element (split)
39	PT400	pump, 200 psi w/regulator, 115v
	SF814	pump, 100 psi w/by-pass, epdm valves
	PT400-KIT3	pump assembly, 400 psi w/ hoses
40	X9022	heater mounting bracket
41	X8236	screw, 10-24 x 1-1/4", phil pan ms, zinc
42	72020A	screw, #12 x 1", self-tap, phms zinc
43	7BS003	screw, 1/4-20 x 1/2, phil, pan, ms 18-8 ss
44	X9014	hinge
45	PD8	strain relief, 1/2" npt
46	PX112	pigtail, black, 12/3 sjt x 39" long
47	PR112R	pigtail, red, 12/3 sjt x 39" long
48	X9131	cord panel
49	X8008N	nut, lock, 1/2" steel conduit
50	7BS002	screw, 8-32 x 1/2 phil, pan ms, 18-8 ss

PFX1380 solution tank assembly



ref#	order#	description
1	X9912	Housing, Solution Tank
	X9912G	Housing, Solution Tank, Gray <i>For PFX1350B series models only</i>
2	X9014	Hinge
3	7BS003	Screw, 1/4-20x1/2" Phil Pan MS 18-8 SS
4	72031A	Hose, 3/8" Wire Reinforced PVC <i>Use PX3H+ (20.5" L) for 100 psi pump</i>
5	7DL003	Clamp, 1/4" Worm Gear Stainless Hex Slot phil <i>Use 2 for 200 psi pump</i>
6	PX85	Fitting, 1/4" MNPT x 3/8" Hose Male/Male Barb <i>Use two for 200 psi pump / Use 7AT004 for 400 psi pump</i>
7	PX17	Street Elbow, 45 deg. Brass, 1/4" NPT
8	PX18	Fitting, Brass, Bulkhead, 3/4" <i>Use only 1 for 100 psi pump</i>
9	72274A	Washer, 3/4" Neoprene-Bond, Galvanized <i>Use only 1 for 100 psi pump</i>
10	PX48G	Gasket, Fiber, 1.125 OD x .75 ID x .15625THK <i>Use only 1 for 100 psi pump</i>
11	X9294	Pump Protection Filter, SLS » FNPT 30x30 SST
12	71480AP	Bolt, 5/16-18 x 3/4" Hex, 18-8 SS
13	72667A	Washer, Rubber, .29ID, .688OD, .093Th
14	X9171	Washer, Flat 5/16 SS, .688OD, .344ID, .062Th
15	X9140	Tie Down Plate
16	7CP002	Bolt, 5/16-18x1/2" Hex Tap, 18-8 SS
17	X8235	Washer, 1/4" Flat USS Zinc
18	X9149	Gasket, Foam Strip, 1 x 14.25
19	X9069	End Loop, SS w/ 2 Holes, 16G
20	72660A	Rope, 22" Long
21	70079C	Hose, 1/2" Wire Reinforced <i>For 400 psi pump only; use 72031A for 200 psi pump</i>
22	7DL008	Clamp, 1/2" Worm Gear Stainless Hex Slot Phil <i>For 400 psi pump only</i>
23	7AT004	Barb, 1/2" Hose x 1/4" male <i>For 400 psi pump only</i>
24	PX15A	Fitting, Nylon Elbow, 90°, 1/4" NPT x 3/8" Hose barb
25	X9155	Latch, Bracket, Long
26	71644A	Screw #10 x 1" Phil Pan
27	X9156	Latch, Bracket, Short
28	71644A	Screw #10 x 1" Phil Pan