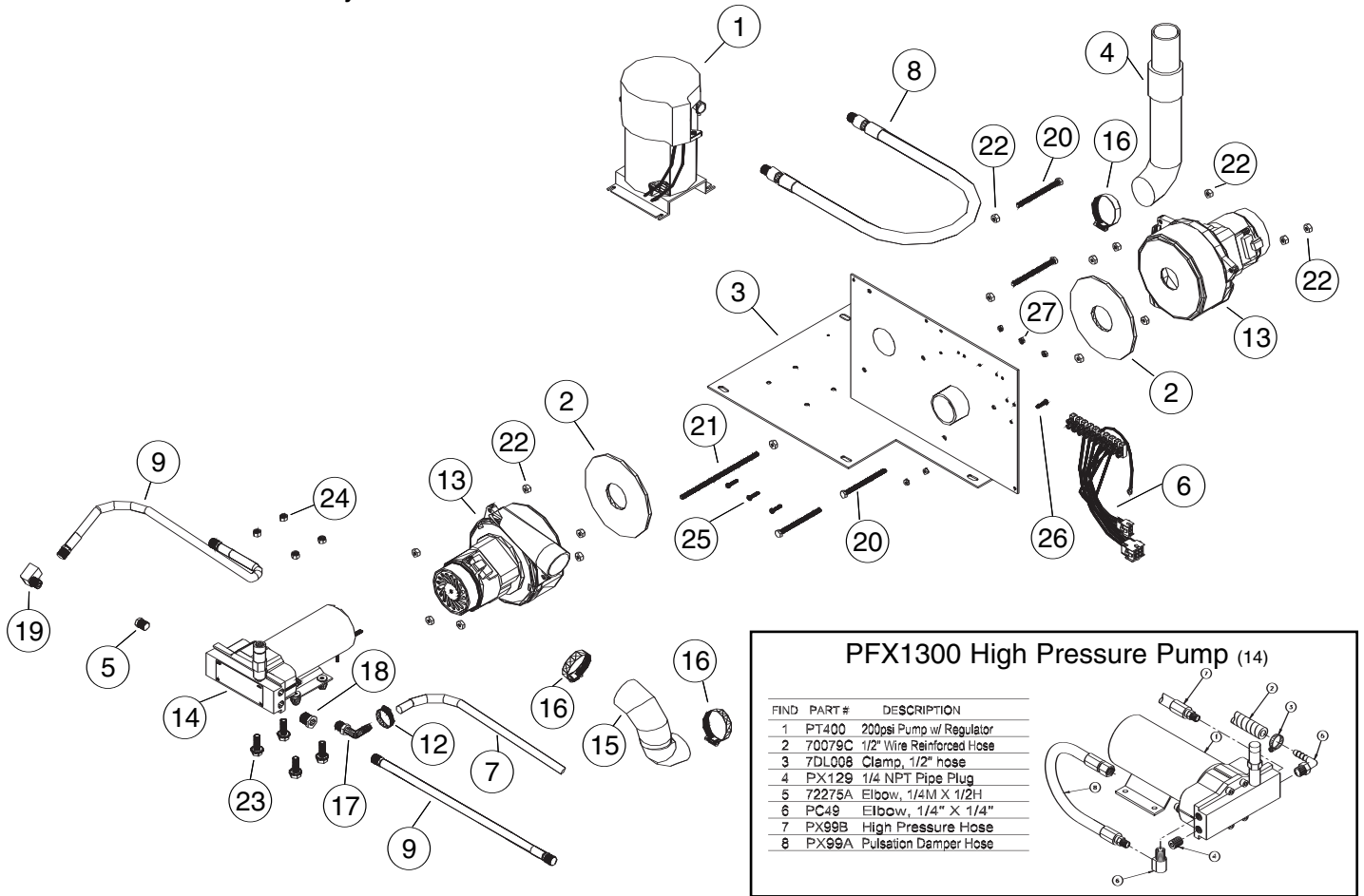


MODEL PFX1300 SERIES CARPET EXTRACTOR PARTS

PFX1300 motor assembly



PFX1300 High Pressure Pump (14)

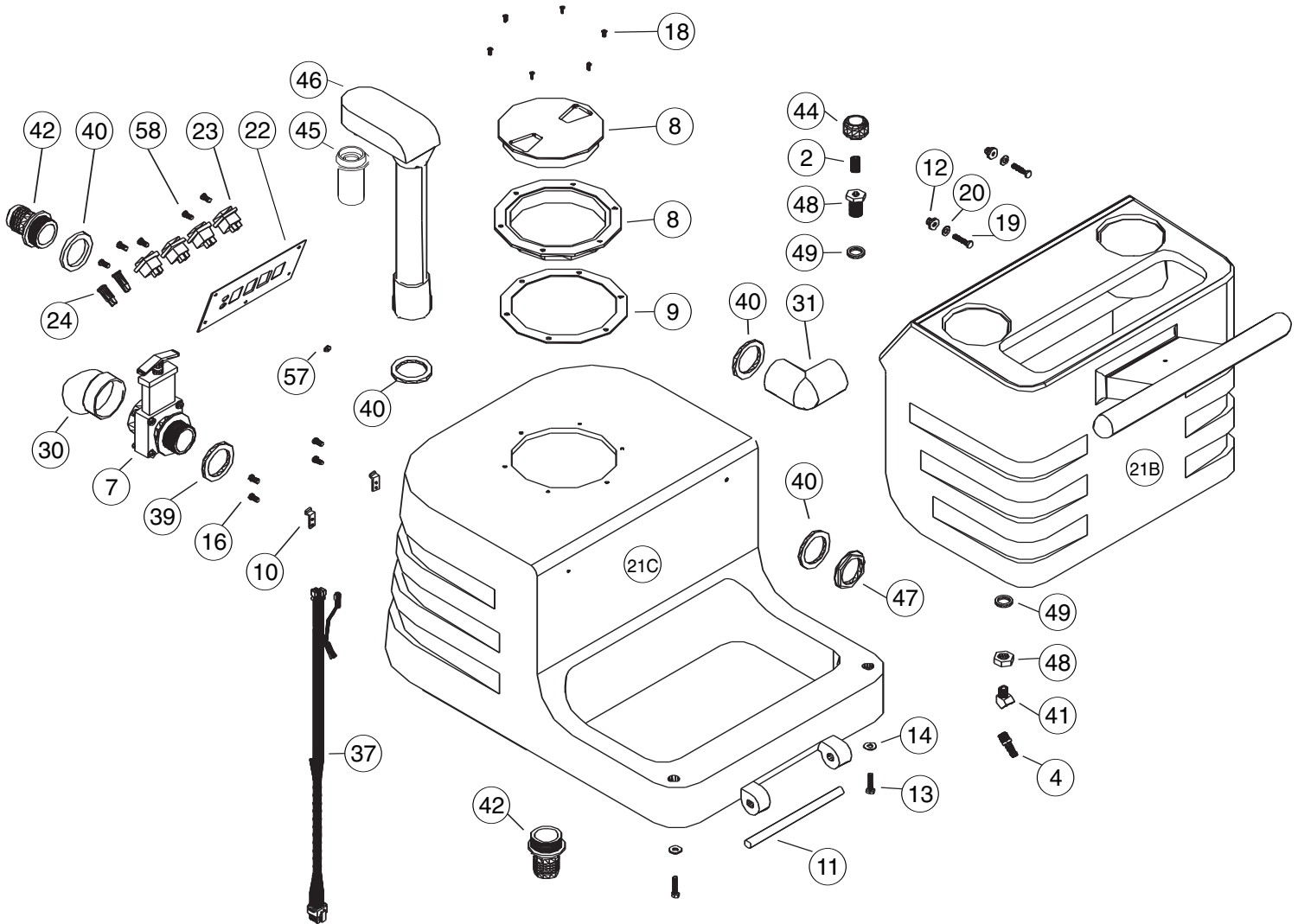
FIND	PART #	DESCRIPTION
1	PT400	200psi Pump w/ Regulator
2	70079C	1/2" Wire Reinforced Hose
3	7DL008	Clamp, 1/2" hose
4	PX129	1/4 NPT Pipe Plug
5	72275A	Elbow, 1/4M X 1/2H
6	PC49	Elbow, 1/4" X 1/4"
7	PX99B	High Pressure Hose
8	PX99A	Pulsation Damper Hose

ref#	order	description
1	PF1750	inline heater for PFX1300H, HP, HDX
2	PX13	gasket, foam, 5.5" od x 1.75"
3	PX98	mounting plate, motor/pump/htr
4	J1003GC	vac hose s-a
5	PX129	1/4" npt pipe plug pfx1300
6	PX135	pigtail, pfx1300hp
7	PX23G	27" solution hose with no ends
8	PX99A	36" heat pulse hose w/mnpt&
9	PX99B	hose, high pressure/temp, 18"x
10	X8284	8-32 x 3/8" phph, type f
11	X8259	washer, flat #8
12	PX42	clamp 5/8"
13	1942	lamb 6474-37 hrn 2st b/b 9.9a
	1942-IE	motor, vac for PFX1300E
14	SF814	Shurflo pump 100 psi for PFX1300, H
	FJ2030X	Flo-jet pump 100 psi for PFX1300E

ref#	order	description
14	PT400	200 psi pump for PFX1300HP
	PT403	400 psi pump for PFX1300HDX, DX
15	J1003GC	hose, flexible, 2" id x 14"
16	PX215	clamp, hose, 2-1/2", ss
17	PX85	fitting, 1/4" mnpt x 3/8" hose
18	PC20	reducer 3/8" to 1/4"
19	PC49	1/4" 90 elbow
20	X8233	bolt, hex, 1/4-20 x 3-1/2"
21	X8289	1/4-20 x 6-1/2" all thread
22	X8213	nut, hex, 1/4-20
23	X8211S	1/4-20 x 1" serrated hex self
24	X8237	nut, 1/4-20, lock, nylon insrt
25	X8287	8-32 x 5/8" phph machine screw
26	X8298	8-32 x 3/4" phph
27	X8256	8-32 keep nut

MODEL PFX1300 SERIES CARPET EXTRACTOR PARTS

PFX1300 upper housing assembly

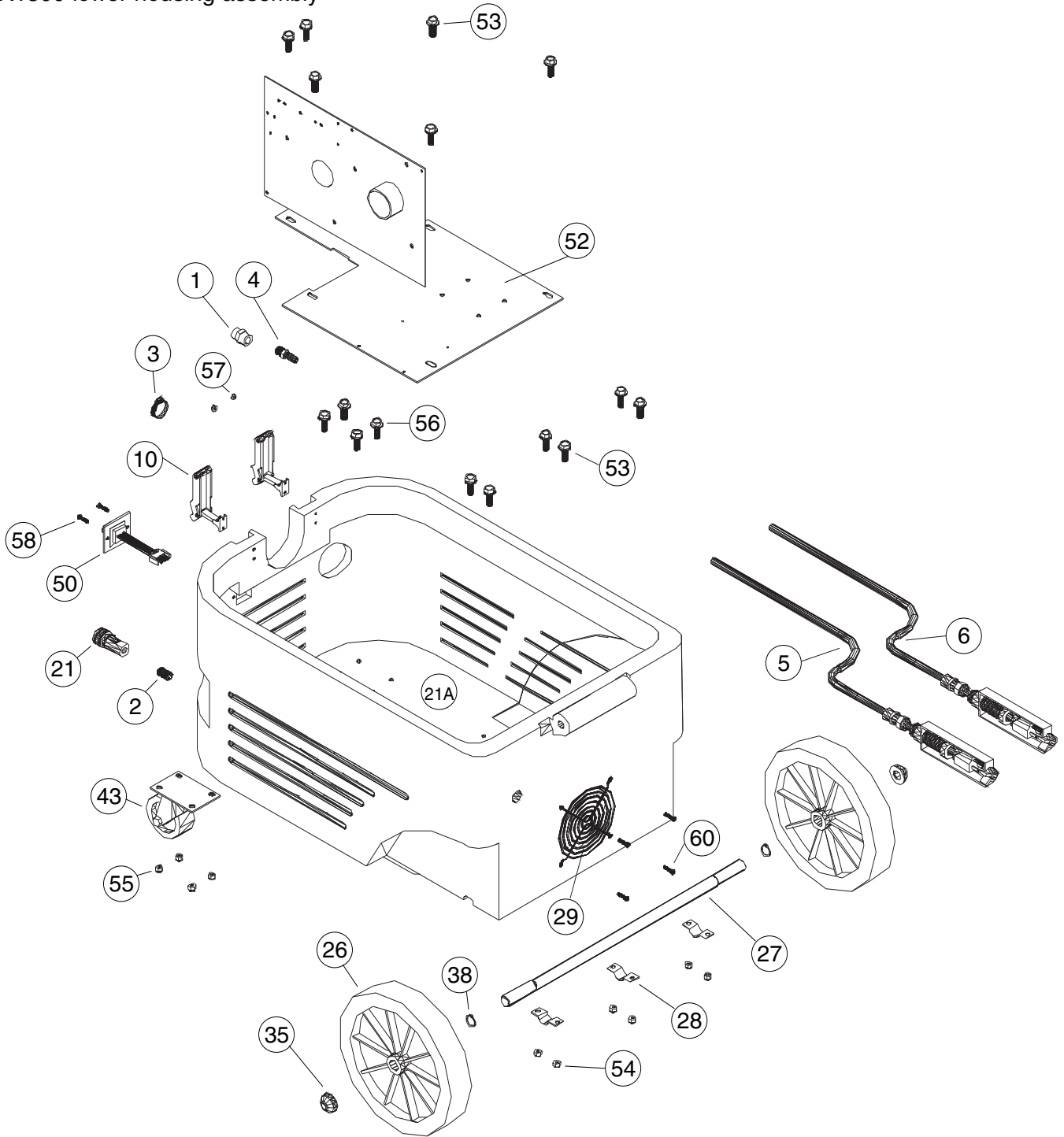


ref#	order	description
1	PC38	connector double thread female
2	PX32	fitting, brass, close nipple,
3	PX42	clamp 5/8"
4	PX85	fitting, 1/4" mnpt x 3/8" hose
5	71511A	bard 1/2"H-1/2" FPT for PFX1300HP, HDX, DX
6	PX112	pigtail, blk, pfx1300
7	PX112R	sub, pigtail, red, pfx1300h/hp
8	PX10	valve, drain, 1-1/2", model #
9	PX103	lid, screw-in
10	PX103G	gasket, lid
11	PX104	latch assembly
12	PX109	pin, hinge
13	PX88	grommet, 1/4"
14	X8226	1/4-20 x 1-1/4 hex head cap screw
15	X8235A	washer, flat
16	X8238	screw, 6-32 x 3/8"
17	X8253	screw, 6-32 x 1"
18	X8257	nut, lock w/nylon insert
19	X8278	8-32 x 1/2" phph, blacj oxide
20	X8282	1/4-20 x 1" hex head cap screw
21a	X8283	washer, flat 1/4" s/s
21a	PX100	housing, base, black, pfx1300
21b	PX101	housing, solution tank, black,
21c	PX102	housing, recovery tank, blue,
22	PX105H	switch panel

ref#	order	description
23	PX87	switch, rocker, w/protective cover
24	X8102	neon light with lens
25	PX86	indicator light green
26	PX106A	wheel, 10" w/3/4" bore
27	PX106B	wheel, 12 for PFX1300HDX, DX
28	PX107	axle, 3/4" od, pfx1300
29	PX108	bracket, axle, pfx1300
30	PX110G	grill, fan, pfx1300
31	PX11	fitting, plastic, elbow, blk.
32	PX11A	fitting, plastic, elbow, white
33	PX110	fan, pfx1300hp
34	PX114C	cover, terminal block, pfx1300
35	PX117A	gauge, 0-300 psi, 2-1/2", abs,
36	PX118A	nut, pal, 3/4" wheel
37	PX119	1/4 nptf x 1/8 nptf reduce cou
38	PX133	sub, harness, switch panel
39	PX137	dump valve gasket 1-1/2"
40	PX14	dump valve gasket 1-1/2" thin
41	PX17	street elbow 45 degree brass
42	71512A	nipple, hex 1/2" for PFX1300HP, HDX, DX
43	PX25	fitting, plastic, bulkhead
44	PX26	caster, 3" dia. wheel
45	PX65	casters 4"for PFX1300HDX, DX
46	PX30	filter, mesh screen, solution
47	71495A	ball strainer for PFX1300HP, HDX, DX

MODEL PFX1300 SERIES CARPET EXTRACTOR PARTS

PFX1300 lower housing assembly



ref#	order	description
45	PX31	float cage w/heavy ball
46	PX33	float tube, pfx1300/h/hp
47	PX46	nut, lock, die cast, 1-1/2"
48	PX48	fitting, brass, bulkhead, 3/4"
49	772274A	washer, 3/4 neoprene
50	PX49	peb plug, pfx1300
51	PX6	1/4 x 1/4 female quick
52	PX98	motor/pump/plt, pfx1300hp
53	X8211S	1/4-20 x 1" serrated hex self
54	X8237	nut, 1/4-20, lock, nylon insrt

ref#	order	description
55	X8248	nut, 5/16" lock w/nylon insert
56	X8252S	5/16-18 x 1 hex flange lok scr
57	X8256	8-32 keep nut
59	X8271	10-24 nylon insert lock nut
58	X8276	10-24 x 3/4" phph, blk oxide
63	X8284	8-32 x 3/8" phph, type f
62	X8286	8-32 x 1" phph, type f
60	X8287	8-32 x 5/8" phph machine screw
61	X8298	8-32 x 3/4" phph