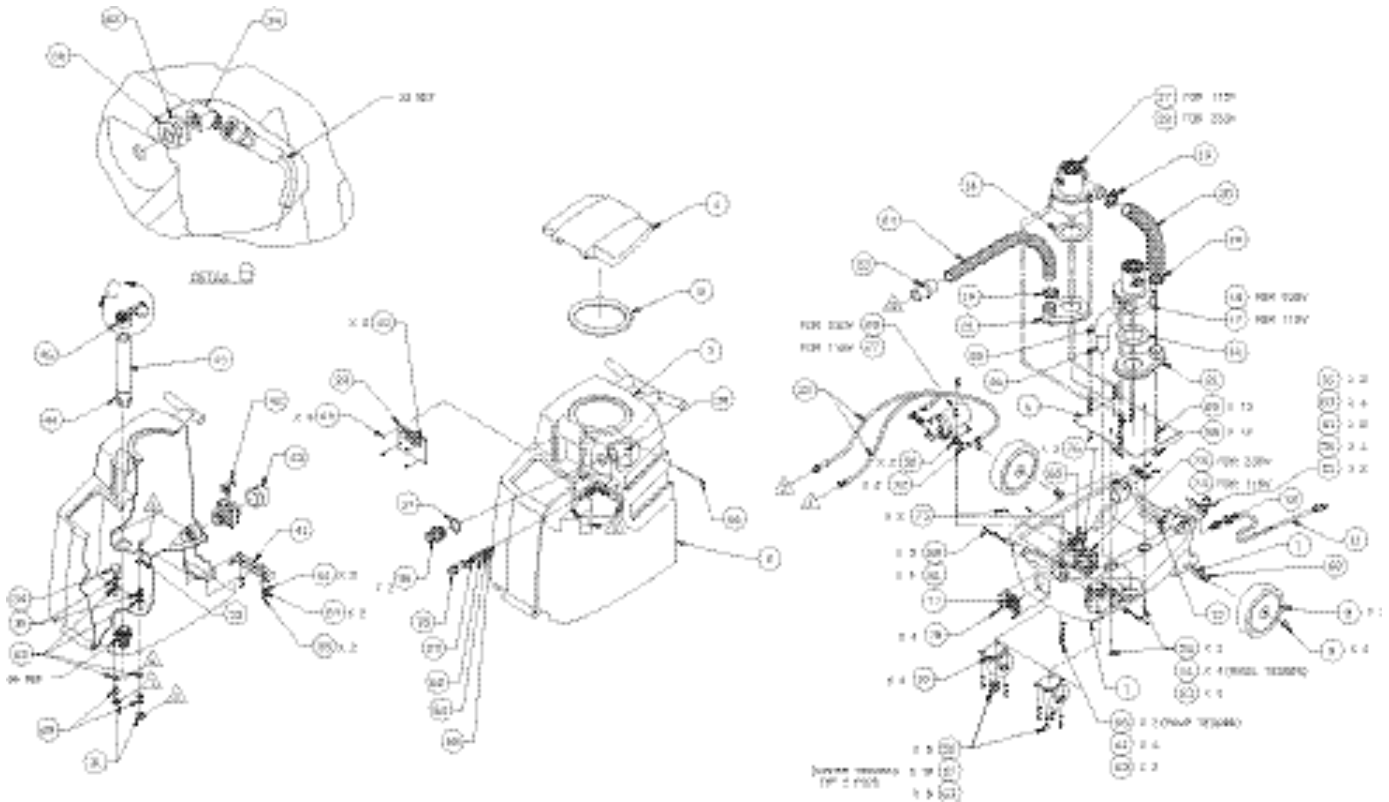


EXTRACTORS

Parts for PFX1 100



| ref# | order | description |
|------|-------|--------------------------------------|
| 5 | STE5 | gasket |
| 6 | STE6 | vacuum mounting plate |
| 7 | STE7 | axle |
| 8 | STE8 | 8" wheel |
| 9 | STE9 | axle cap |
| 10 | STE10 | 3" caster |
| 11 | STE11 | 50' power cable w/ 3 prong connector |
| 12 | STE12 | strain relief |
| 13 | STE13 | lock nut |
| 14 | STE14 | vac gasket |
| 15 | STE15 | hinge pin |
| 16 | STE16 | hinge pin rubber sleeve |
| 17 | STE17 | 2 stage vac motor, 115v |
| 18 | STE18 | 2 stage vac motor, 230v |
| 19 | STE19 | hose clamp |
| 20 | STE20 | 2" vacuum hose 9" long |
| 21 | STE21 | manifold |
| 22 | STE22 | spring |
| 23 | STE23 | hose cuff |
| 24 | STE24 | 2" vacuum hose 20" long |
| 25 | STE25 | 2" 90° elbo PVC |
| 26 | STE26 | 2" PVC pipe 3" long |
| 27 | STE27 | 100 PSI pump, 115v |
| 28 | STE28 | 100 PSI pump, 230v |
| 29 | STE29 | 1/4 extender adaptor |
| 30 | STE30 | 1/4 hex nipple |
| 31 | STE31 | 90° 1/4" x 1/4" |
| 32 | STE32 | 21" high pressure hose |
| 33 | STE33 | 18" high pressure hose |
| 34 | STE34 | 45° 1/4 x 1/4 |
| 35 | STE35 | 1/4 female quick disconnect |
| 36 | STE36 | 1-1/2 M.T. x M.S. inlet |
| 37 | STE37 | thin rubber gasket |
| 38 | STE38 | PVC elbow |
| 39 | STE39 | 3 hole switch plate |

| ref# | order | description |
|------|-------|----------------------------------|
| 40 | STE40 | waterproof switches |
| 41 | STE41 | bracket |
| 42 | STE42 | 1-1/2 drain valve |
| 43 | STE43 | 45° drain spout |
| 44 | STE44 | PVC FM.S x FM.T |
| 45 | STE45 | 1-1/2" PVC pipe 12-1/2" long |
| 46 | STE46 | float flapper assembly |
| 47 | STE47 | 1-1/2 ABS sleeve |
| 48 | STE48 | clamping ring |
| 49 | STE49 | 1.88 filter foam |
| 51 | STE51 | metal screen |
| 52 | STE52 | float flapper |
| 53 | STE53 | float |
| 54 | STE54 | filter strainer |
| 55 | STE55 | 1/4-20 x 1/2 H/C S/S |
| 56 | STE56 | 1/4-20 x 3/4 H/C DOM GR 5ZN |
| 57 | STE57 | 1/4-20 x 1-1/4 H/C S/S |
| 58 | STE58 | 1/4-20 x 1-1/2 H/C S/S |
| 60 | STE60 | fiber washer 6/16 ID x 1-1/16 OD |
| 61 | STE61 | 1/4" flat washer |
| 62 | STE62 | washer 9/16 ID x 1-1/8 OD F.W. |
| 63 | STE63 | 1/4-20 lock nut |
| 64 | STE64 | 1/4 lock washer |
| 66 | STE66 | #10-32 x 1-1/2 SHCS |
| 67 | STE67 | #10 flat washer |
| 68 | STE68 | 1/4 close nipple |
| 69 | STE69 | #8-32 x 3/8 SHCS |
| 70 | STE70 | 10-32 x 1/2 screw |
| 71 | STE71 | 10-32 x 1 screw |
| 72 | STE72 | 90° 1/4M x 1/4M elbow |
| 73 | STE73 | Cooling Fan 115v |
| 74 | STE74 | Cooling Fan 230v |
| 75 | STE75 | 10-32 x 1/2" Screw |
| 76 | STE76 | 10-32 Square Nut |
| 77 | STE77 | Wire Formed Guard |
| 78 | STE78 | 10-32 x 1/2" Screw |