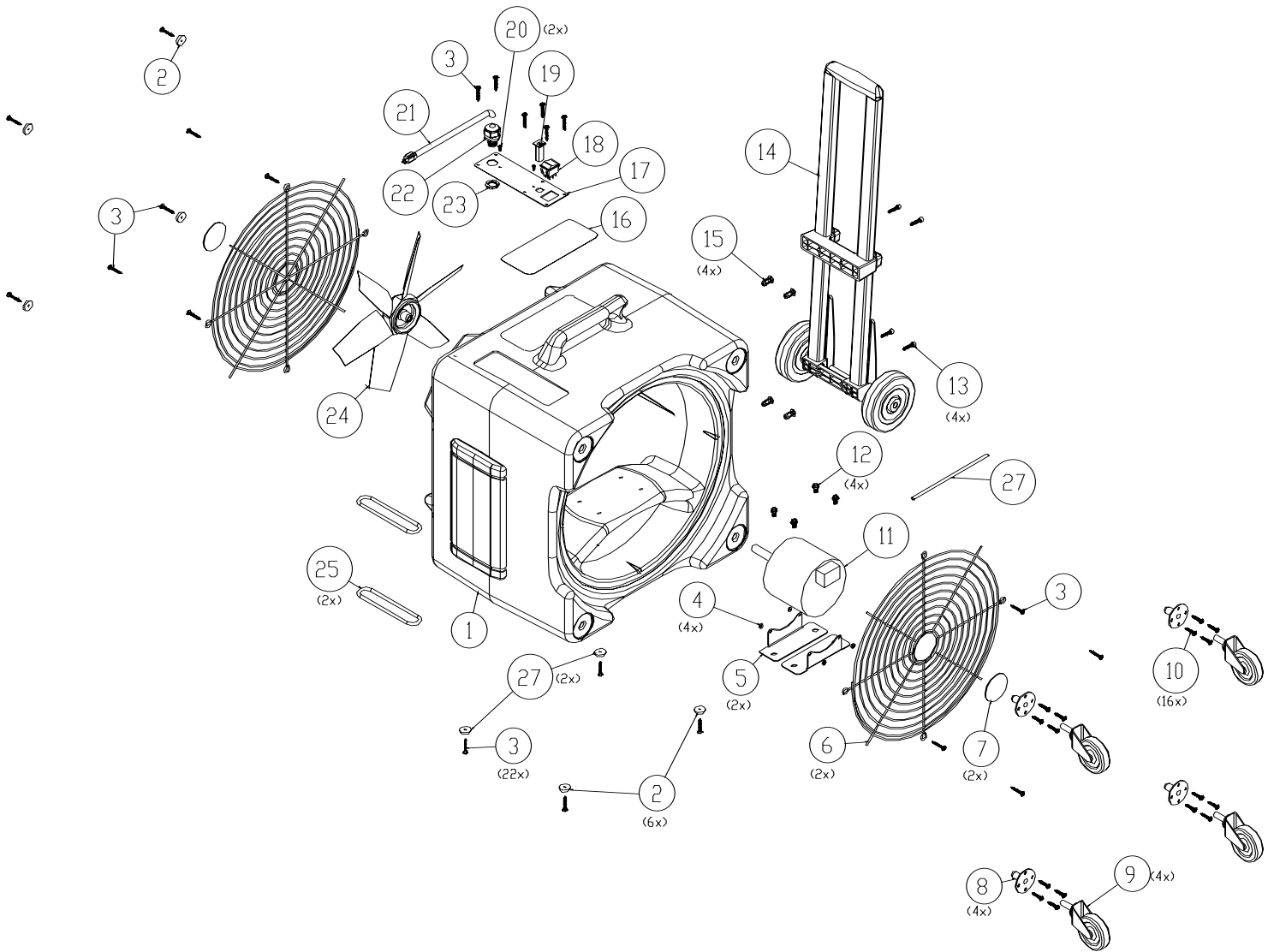


ASSEMBLY



Parts for PDF6WRD

ref#	part #	description
01	X9180+	Housing, Axial Fan
02	PD3C+	Foot, Black Rubber, Short
03	X9098+	Screw, #10 x 1", A Point, Pan Head
04	X8260+	Nut, 8-32 Lock, w/ Nylon Insert
05	72719A	Bracket, Axial Fan Motor
06	X9183+	Grill, Axial Fan
07	X9189+	Label, Round (at Grill)
08	X9195+	Caster Receiver
09	X9240+	Wheel and Socket
10	72020A	Screw, Self-Tap, PHMS, Zinc, #12 x 1"
11	X9181+	Motor, 115VAC, .25HP, 4 - Pole
	X9181-2+	Motor, 230V, 25HP 4 pole
12	X8209S+	Screw, 1/4 -20 x 1/2", Serrated Hex
13	X9065+	Screw, Hex Socket Cap, 1/4 -20 x1"
14	X8990N+	Handle / Wheel Assembly

ref#	part #	description
15	X8848+	Jacknut, 1/4 -20, Steel, #8LJN
16	X9190+	Label, Product at top, Axial Fan
17	72721B	Switch Panel
18	X9048+	Switch rocker
19	X9262+	Circuit Breaker, 5A
20	X9188+	Screw, 6-32 x 3/8" Black MS
21	X8926+	20' HD, 3-wire Cord, 16/3 SJTW, 115 Volts
	71912A	Cord 14/3 35' Black w/ Euro Plug.
22	PD8+	Strain Relief, 1/2" NPT
23	X8008N+	nut, Lock, 1/2" Steel Conduit
24	X9182-6+	Fan Blade Assembly
25	F631+	Round Belt
26	72470A	Heat Shrink, Blk, 1/2" x 200', Flexible Polyolefin
27	PD3B+	Foot, Black Rubber, Tall