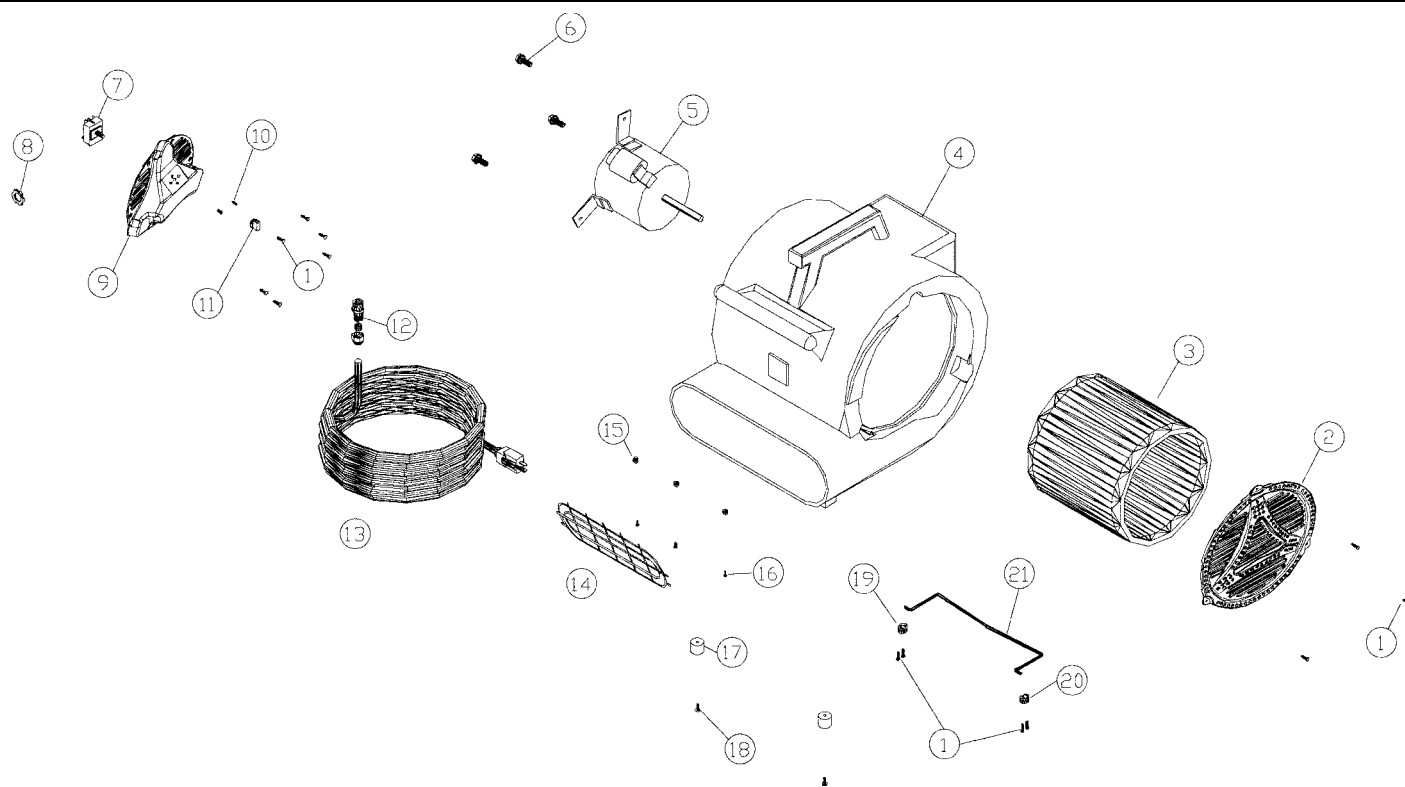


ASSEMBLY



Parts for PD350, PD500, PD750

ref#	part #	description
1	X8261	screw #6 x 1/2 phil pan type a
2	X8872	intake panel
3	PD5	squirrel cage w/locknut PD350, PD500
	X8873	squirrel cage w/locknut PD750
4	X8876	dryer housing
5	X8882	dryer motor and capacitor PD350
	X8881	dryer motor and capacitor PD500
	X8868	dryer motor and capacitor PD750
6	X8964	screw 3/8-16 x 1/2
7	X8897	switch
8	X8008N	nut, lock, 1/2" steel conduit
9	X8875	motor control panel

ref#	part #	description
10	X8903	m4x6 flat head phillips screw
11	PD1K	knob, switch
12	PD8	strain relief 1/2" npt
13	X8926	25' heavy duty 3 wire cord
14	X8870	dryer discharge
15	X8256	nut 8-32 lock w/nylon insert
16	X8278	screw 8-32 x 1/2 phil pan
17	PD3B	foot, black rubber, new style
18	X8221	screw 8-32 x 3/4 phil pan
19	X8928	right tilt stand foot
20	X8929	left tilt stand foot
21	X8874	kickstand
	X8990	handle and wheels