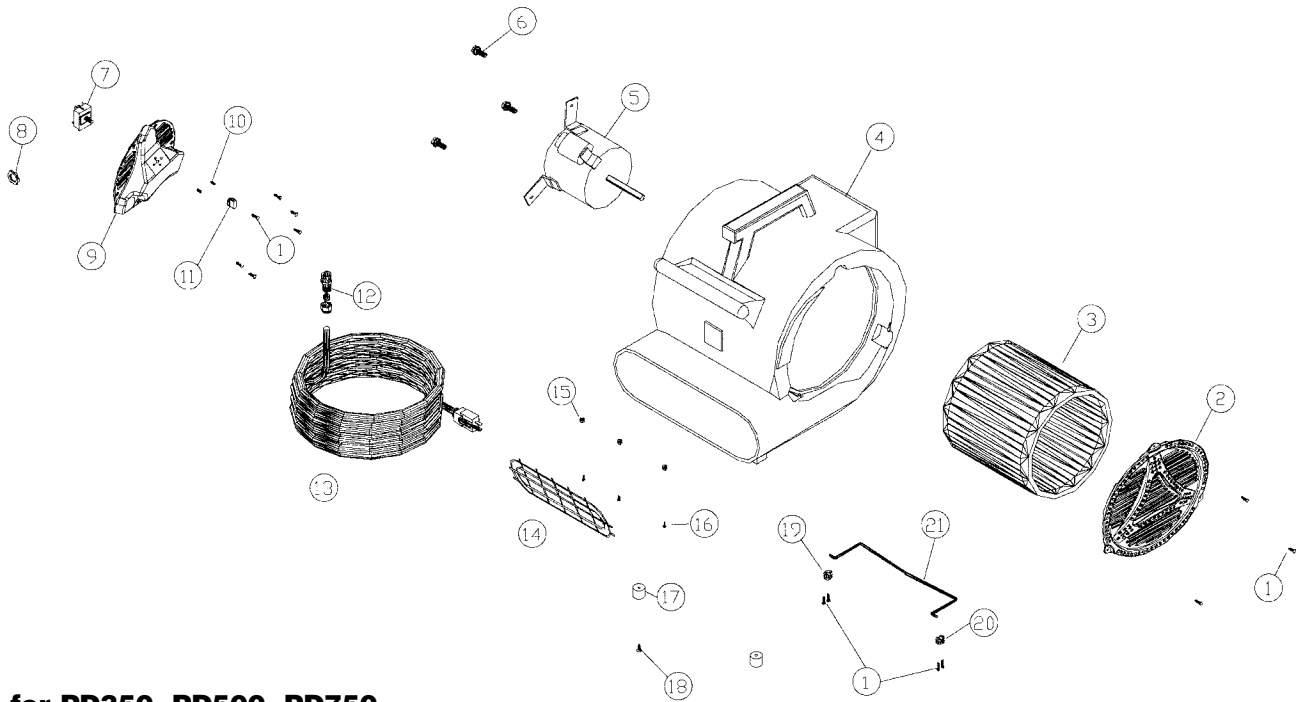
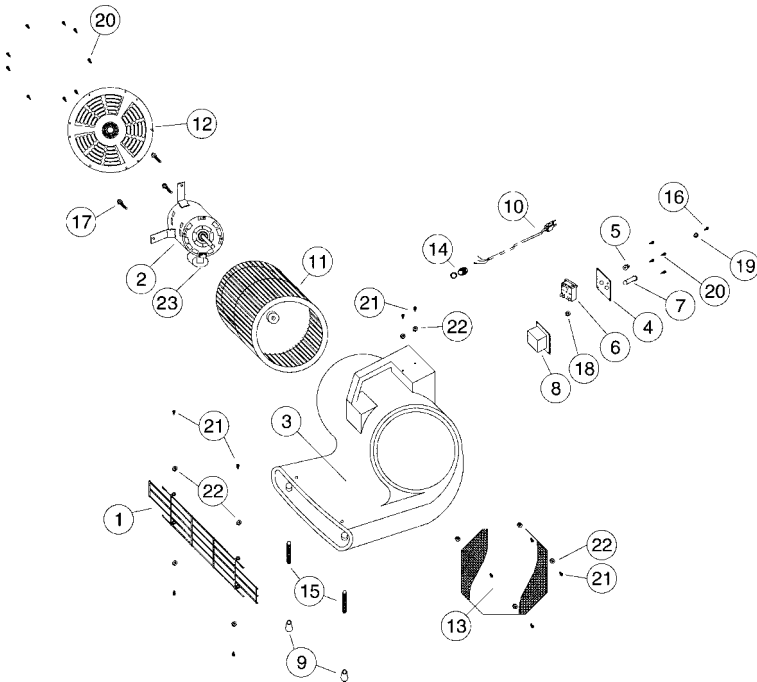


Parts for PD2500

ref#	order	description
1	PD14	grill (finger guard)
2	PD2	motor with capacitor and bracket
	PD2D	4 leg motor
3	PD20	housing
4	PD25	blower switch plate
5	PD1K	switch knob
6	PD1	switch
7	X8102	neon light with lens
8	PD25A	housing, dryer switch
9	PD3	rubber feet
10	PD4	15' heavy duty 3 wire cord
11	PD5	squirrel cage with locknut
12	PD6A	motor cover and screen
13	PD7B	11" square 22 gallon screen
14	PD8	strain relief
15	PD9	dryer legs, 5"
	PD9A	dryer legs, 4-1/2"
16	X8208	10-24 x 5/8 phillips pan head
17	X8209S	1/4-20 x 1/2" serrated hex
18	X8242	10-24 hex nut
19	X8254	#10 shakeproof washer
20	X8261	6 x 1/2 phillips pan head type
21	X8270	10-24 x 1/2 phillips truss
22	X8271	nylon insert lock nut plated
23	PD10	capacitor 5 mfd, 370 vac



Parts for PD350, PD500, PD750

ref#	order	description
1	X8261	screw #6 x 1/2 phil pan type a
2	X8872	intake panel
3	PD5	squirrel cage w/locknut PD350
	X8873	squirrel cage w/locknut PD500, PD750
4	X8876	dryer housing
5	X8882	dryer motor and capacitor PD350
	X8881	dryer motor and capacitor PD500
	X8868	dryer motor and capacitor PD750
6	X8964	screw 3/8-16 x 1/2
7	X8897	switch
8	X8008N	nut, lock, 1/2" steel conduit
9	X8875	motor control panel

ref#	order	description
10	X8903	m4x6 flat head phillips screw
11	PD1K	knob, switch
12	PD8	strain relief 1/2" npt
13	X8926	25' heavy duty 3 wire cord
14	X8870	dryer discharge
15	X8256	nut 8-32 lock w/nylon insert
16	X8278	screw 8-32 x 1/2 phil pan
17	PD3B	foot, black rubber, new style
18	X8221	screw 8-32 x 3/4 phil pan
19	X8929	right tilt stand foot
20	X8929	left tilt stand foot
21	X8874	kickstand