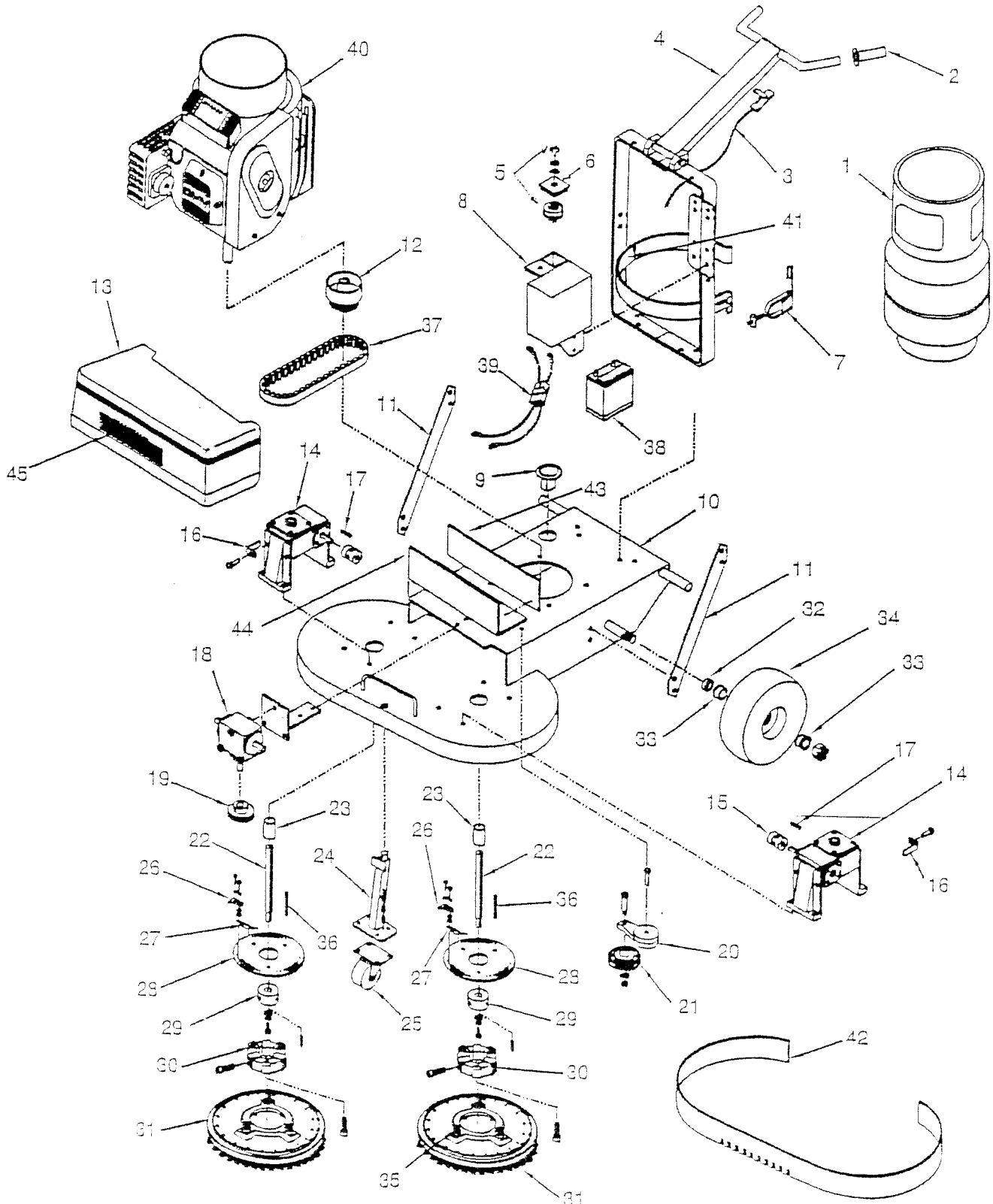


FLOOR MACHINES

Parts for P3013, P3017-ON and P3017



FLOOR MACHINES

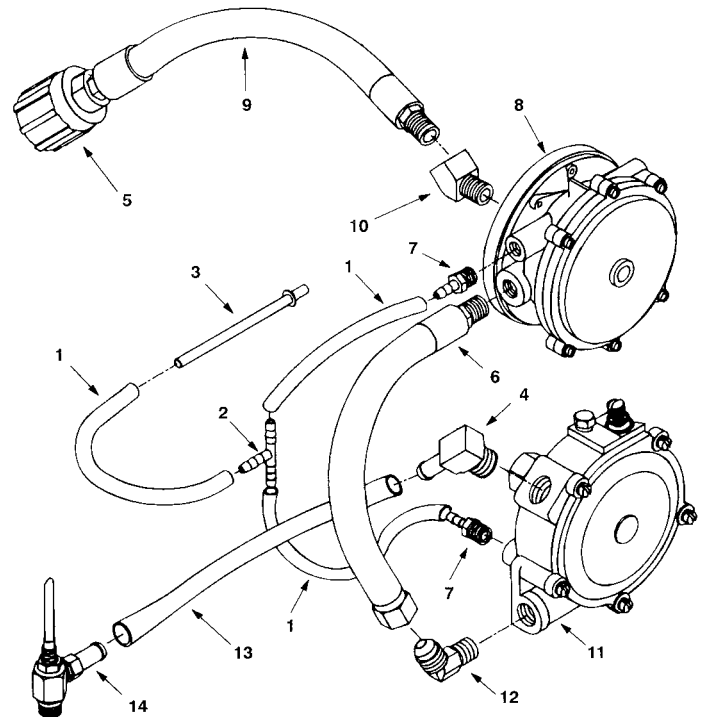
Parts for P3013, P3017-ON and P3017

ref#	order	description	each
1	P1705	LP Tank	170.29
2	P1010	Hand Grips	7.84
3	P1015	Throttle Cables	16.39
4	*	Handle	*
5	*	Switch, Key	*
6	*	Key Switch Housing	*
7	*	Toggle	*
8	*	Battery Box with Key Switch	*
9	P1240	Hour Meter	35.34
10	*	Twin Head Strip Frame	*
11	*	Handle Gussett	*
12	*	Centrifugal Clutch	*
13	*	Hood Assy. Twin (Aluminum)	*
14	*	Gear Box Twin Head	*
15	*	Coupler Shaft	*
16	*	Bracket, Hood Assy	*
17	*	Key Stock 3116	*
18	*	M-2 Center Gear Box	*
19	*	7.0 x 5/8 Pulley	*
20	*	Tensioner Arm	*
21	*	Idler Pulley	*
22	*	Drive Shaft	*
23	*	Spacer, Drive Shaft	*

ref#	order	description	each
24	*	Transport Wheel	*
25	*	Swivel Caster	*
26	*	Brush Plate Clamp	*
27	*	Sprins Clip	*
28	*	Mounting Plate Twin Head	*
29	*	Aluminum Hub	*
30	*	Centra Flex	*
31	*	Strip Brush (1 set)	*
32	*	Wheel Spacer 1/2"	*
33	*	Delrin Bearing 1"	*
34	*	Wheel 10" Air Filled	*
35	*	Lugs L-800	*
36	*	Key Stock 1/4 x 1/4 x 1 1/4	*
37	*	Belt BX49	*
38	*	Battery, 12 Volt	*
39	*	Battery Connector E124	*
40	*	Onan E124 Fuel Injection Engine	*
41	*	Velcro Tape	*
42	*	Splash Guard Tracker	*
43	*	Heat Shield Foil Material	*
44	*	Heat Shield Support Plate	*
45	*	Expanded Metal Plate 4 1/2x 14	*

Parts for P3013, P3017-ON and P3017 Models Fuel System

ref#	order	description	each
1	*	hose, vacuum	
2	*	tee, vacuum	
3	*	tube, vacuum	
4	*	33eb	
5	P1155	coupler, quick	31.57
6	P1157	lockoff, hose regulator	128.12
7	*	125 hb 2-3	
8	*	lockoff	
9	P1124	hose, lp tank to regulator	20.58
10	*	2214p-4-4	
11	P1156	regulator, model beam 50	188.35
12	*	159f-6-4	
13	*	hose, fuel	
14	*	adapter, spud-in	



*Call for part number and pricing.