

PROPANE BURNISHER/STRIPPER

PARTS

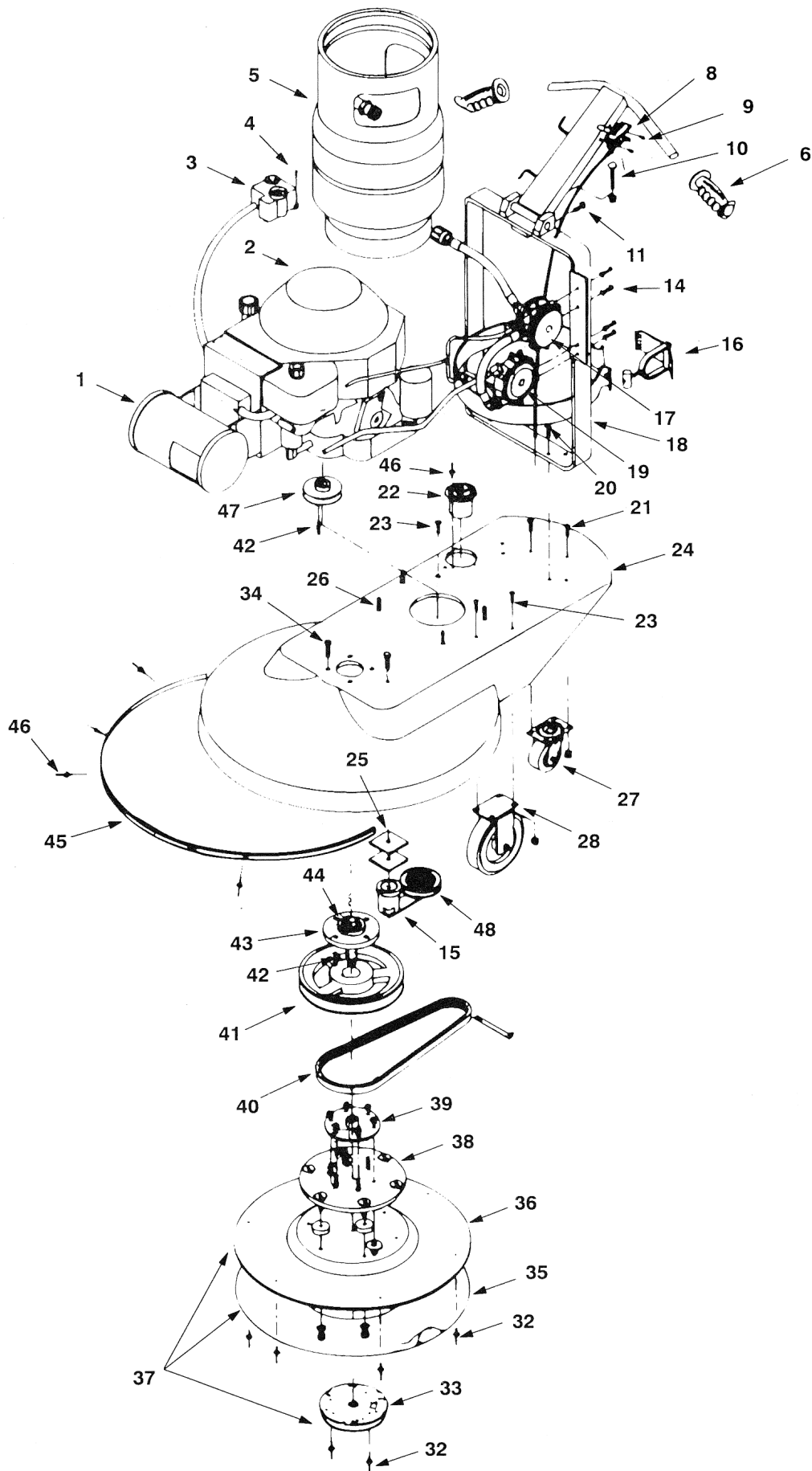
**Models: P2113, P2114-ON
P2117, P2717, P2720-ON
P3013, P3014-ON, P3017**



WARNING:

OPERATOR MUST READ AND UNDERSTAND THIS MANUAL COMPLETELY BEFORE OPERATING THIS EQUIPMENT.

Illustrated Parts List for P2717 and P2720 Models



Illustrated Parts List for P2717 and P2720 Models

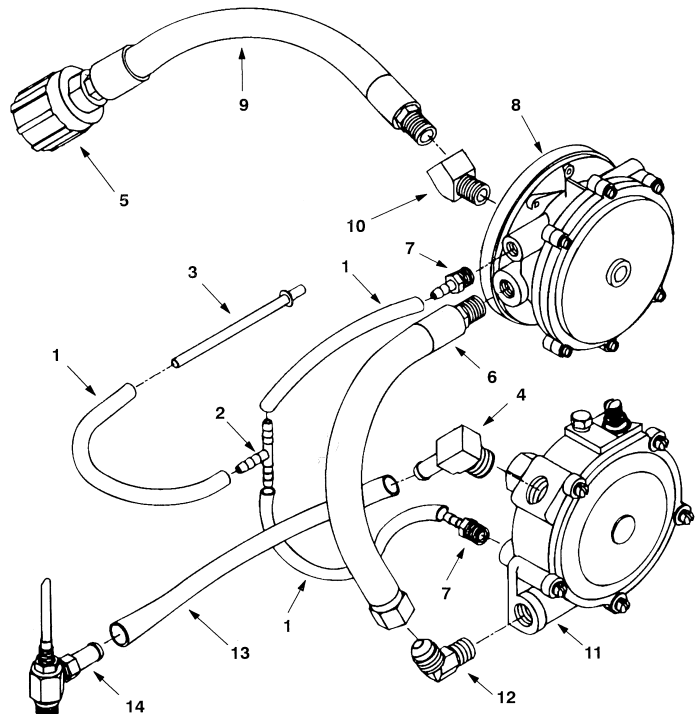
Ref. Part No.	Description	Ref. Part No.	Description
1	* KAWASAKI 494 CC ENGINE 17 HP	25	* SPACER, TENSIONER ARM
	* ONAN 728 CC ENGINE 20 HP	26	* BOLT, 5/16-24XI (HONDA)
			* BOLT, M13X30MM (KOHLER)
2	P1012 AIR FILTER (KAWASAKI)	27	P1210 CASTER, REAR SWIVEL
	P1013 AIR FILTER (ONAN)	28	P1200A WHEEL, W/BRACKET
3	* STARTER W/ KEY. 110V (KAWASAKI)	32	* RIVET, POP LARGE
	* STARTER W/KEY 110V (ONAN)	33	P1410 CENTERLOCK
4	* BOLT 10-32XI	34	* SCREW, 7116-20XI 4
5	P1705 TANK, PROPANE (ALUMINUM)	35	P1202 PAD, MIGHTY FACE 27"
	* TANK, PROPANE (STEEL)	36	P3401 DISC, 27"
6	P1010 GRIPS, HANDLE	37	* DRIVER, PAD WIFACE AND CENTER LOCK 27"
8	P1015 CABLE, THROTTLE		
9	* SCREW, #8XI12"	40	PBX50 BELT, BX 50
10	* BOLT, 3/8X2 114	41	* PULLEY, 9.4"
11	* BOLT, 3/8XI		* BUSHING, SDSI
13	* SCREW, 10-32XI	42	P9075 KEY STOCK 114
14	* WASHER, LOCK	43	P1372 BEARING, FRONT HOUSING
15	* ARM, TENSIONER LOVEJOY		P1380 BEARING, FRONT ONLY
16	P1003 TOGGLE	44	P1352 SHAFT, DRIVE
17	* LOCKOFF	45	P1627 MOLDING, BUMPER 6.25ft
18	* HANDLE	46	* RIVET, POP SMALL
19	P11565 REGULATOR	47	* PULLEY, ENGINE 3.0"
20	* NUT, 5116xl 1/4 NYLOCK	48	P1235 PULLEY, IDLER
21	* NUT, 1/4X3/4		
22	P1240 METER, HOUR		
23	* BOLT, 5116XI		
24	* DECK, ALUMINUM 21"		

*Call for part number and pricing.

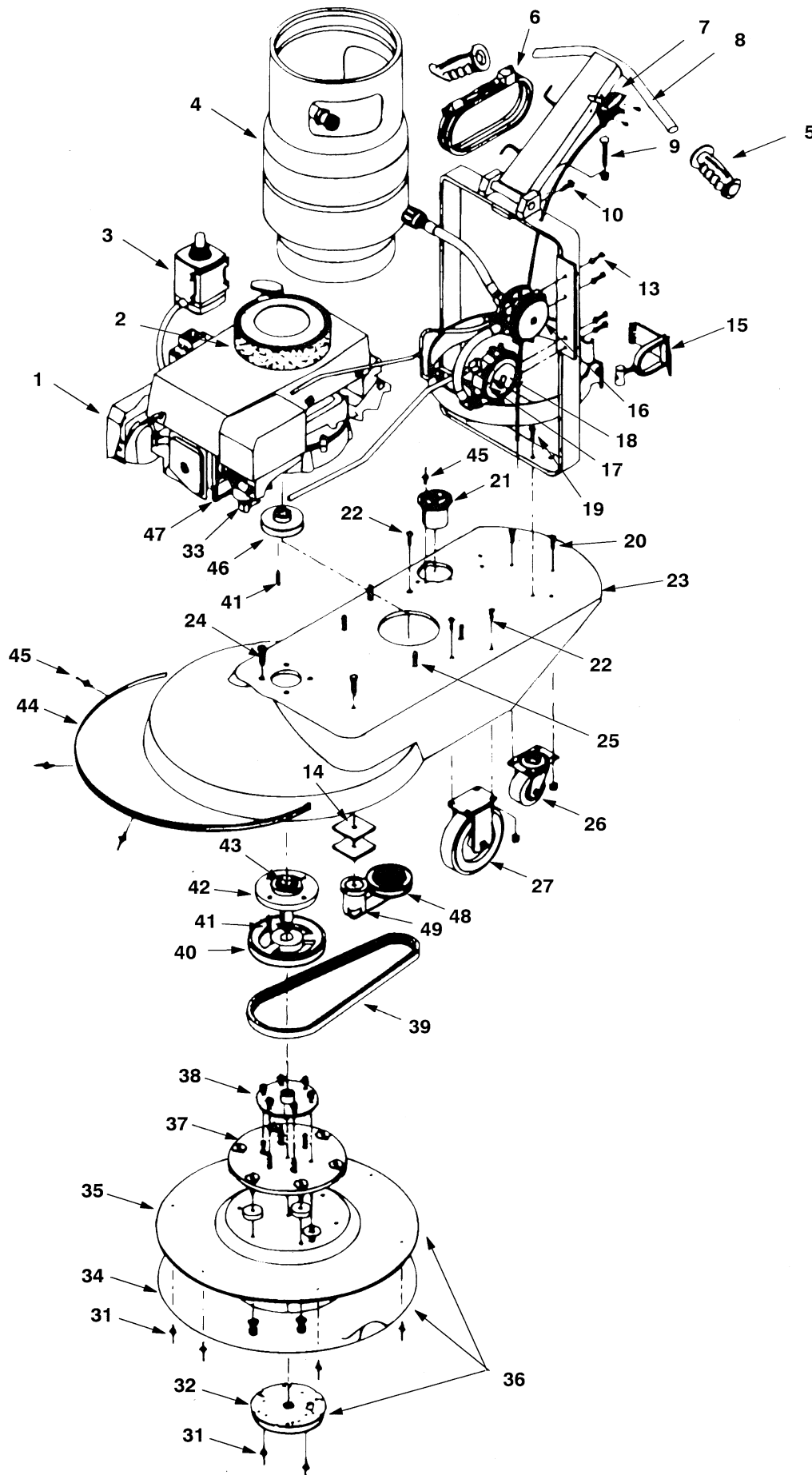
Illustrated Parts List for P2717 and P2720 Models Fuel System

Ref. Part No.	Description
1	* HOSE, VACUUM
2	* TEE, VACUUM
3	* TUBE, VACUUM
4	* 33EB
5	P1155 COUPLER, QUICK
6	* LOCKOFF, HOSE REGULATOR
7	* 125 HB 2-3
8	* LOCKOFF
9	P1124 HOSE, LP TANK TO REGULATC
10	* 2214P-4-4
11	* REGULATOR, MODEL BEAM 5C
12	* 159F-6-4
13	* HOSE, FUEL
14	* ADAPTER, SPUD-IN

*Call for part number and pricing.



Illustrated Parts List for P2113, P2114 AND P2117 Models



Illustrated Parts List for P2113, P2114 AND P2117 Models

Ref.	Part No.	Description
1	*	HONDA GXV 340 ENGINE 13 HP
	*	KAWASAKI 494 CC ENGINE 17 HP
	*	ONAN 390 CC ENGINE 14 HP
2	P1011	AIR FILTER (HONDA)
	P1012	AIR FILTER (KAWASAKI)
	P1013	AIR FILTER (ONAN)
3	P1550	STARTER, 110V (HONDA)
	*	STARTER, 12V (KAWASAKI)
	P1125	STARTER, 12V (ONAN)
4	P1705	TANK, STEEL 20 LB. LP
5	P1010	GRIPS, HANDLE 2
6	P1555	CORD, EXTENSION
7	P1015	CONTROL, THROTTLE 48"
8	*	SCREW, #8X112
9	*	BOLT, 318X2 14
10	*	BOLT, 318XI
12	*	SCREW, 10-32XI
13	*	WASHER, LOCK
14	*	SPACER, TENSIONER ARM
15	P1003	TOGGLE
16	*	LOCKOFF
17	*	HANDLE
18	P1156	REGULATOR
19	*	NUT, NYLOCK5/16X1 114
20	*	NUT, NYLOCK 114X314
21	P1240	METER, HOUR
22	*	BOLT, 5116XI
23	*	DECK, ALUMINUM 21"
24	*	SCREW, 7116-20XI
25	*	BOLT, 5116-24XI (HONDA)
25	*	BOLT, 13MMX30MM (KOHLER)
26	P1210	CASTER, REAR SWIVEL
27	P1200A	WHEEL, 6" WIBRACKET

Ref.	Part No.	Description
32	P1410	CENTER LOCK
33	P1127	ADAPTER, SPUD-IN (HONDA)
36	P1126	DRIVER, PAD W/FACE 8. CENTER LOCK 21"
39	PBX38	BELT, B X 33
40	P1310	PULLEY, 6.2"
41	P9075	KEY, STOCK 114 2
42	P1372	BEARING FRONT HOUSING
	P1380	BEARING, FRONT ONLY
43	P1352	SHAFT, DRIVE
44	P1621A	MOLDING, BUMPER
45	*	RIVET, POP SMALL
46	P1235	PULLEY, ENGINE 3 5'
47	*	TUBE, VACUUM (HONDA)
48	P1235	PULLEY, IDLER
49	P1230	ARM1 TENSIONER LOVEJOY

NOT ILLUSTRATED

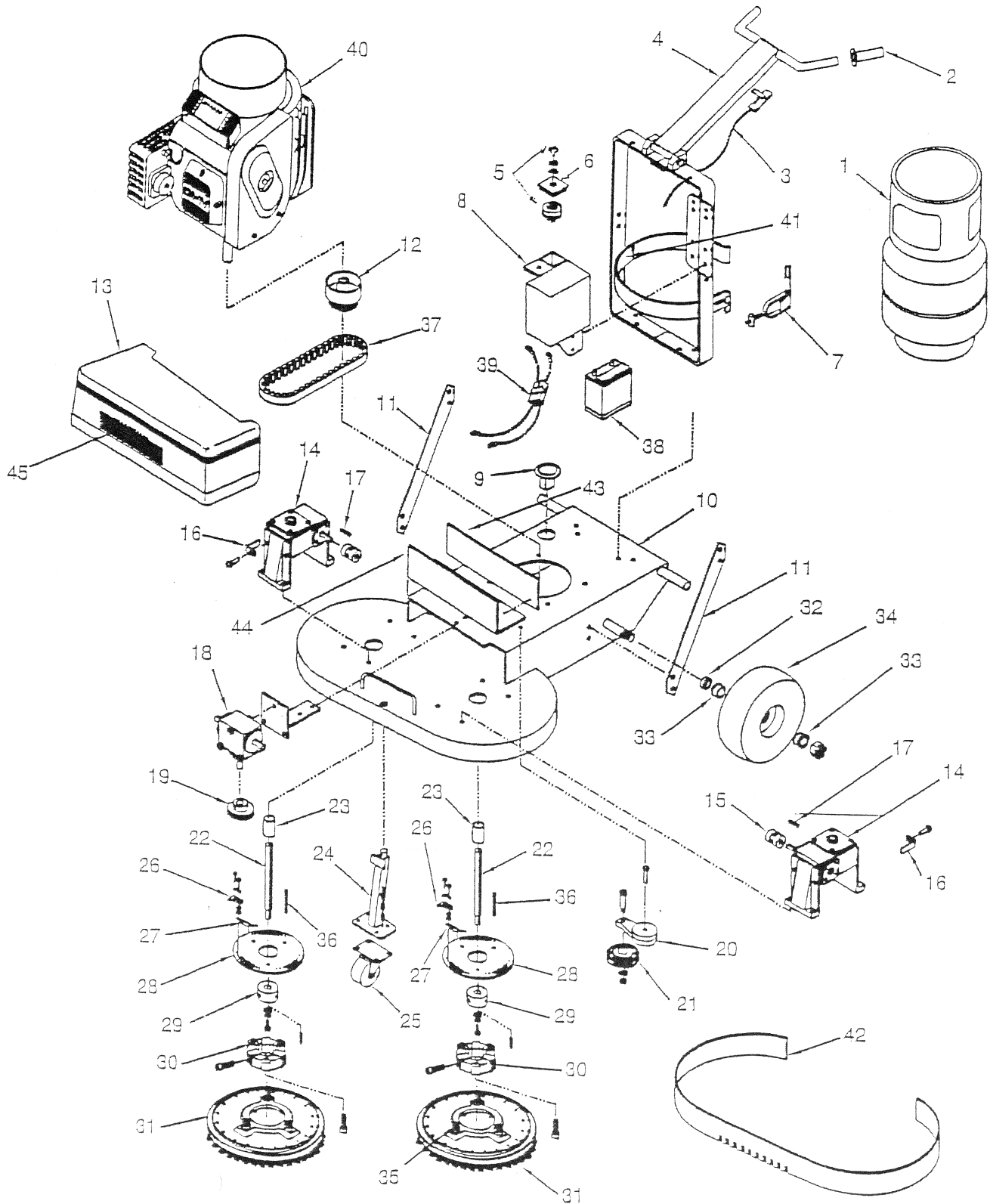
P1121	SPARK PLUG HONDA
P1122	SPARK PLUG ONAN
P1123	SPARK PLUG KAWASAKI
P1114	DIP STICK HONDA
P1115	DIP STICK ONAN
P1116	DIP STICK KAWASAKI
P1117	OIL FILTER HONDA
P1118	OIL FILTER ONAN
P1119	OIL FILTER KAWASAKI

PREVENTATIVE MAINTANCE KITS

PM1	ONAN 20 HP
PM2	ONAN E124
PM3	HONDA GXV390
PM4	KAWASAKI 17 HP

*Call for part number and pricing.

Illustrated Parts List for P3013, P3017-ON and P3017



Illustrated Parts List for P3013, P3017-ON and P3017 Models

Ref.	Part No.	Description	Ref.	Part No.	Description
1	P1705	LP Tank	24	*	Transport Wheel
2	P1010	Hand Grips	25	*	Swivel Caster
3	P1015	Throttle Cables	26	*	Brush Plate Clamp
4	*	Handle	27	*	Sprins Clip
5	*	Switch, Key	28	*	Mounting Plate Twin Head
6	*	Key Switch Housing	29	*	Aluminum Hub
7	*	Toggle	30	*	Centra Flex
8	*	Battery Box with Key Switch	31	*	Strip Brush (1 set)
9	P1240	Hour Meter	32	*	Wheel Spacer 1/2"
10	*	Twin Head Strip Frame	33	*	Delrin Bearing 1"
11	*	Handle Gussett	34	*	Wheel 10" Air Filled
12	*	Centrifugal Clutch 1	35	*	Lugs L-800
13	*	Hood Assy. Twin (Aluminum)	36	*	Key Stock 1/4 x 1/4 x 1 1/4
14	*	Gear Box Twin Head	37	*	Belt BX49
15	*	Coupler Shaft	38	*	Battery, 12 Volt
16	*	Bracket, Hood Assy	39	*	Battery Connector E124
17	*	Key Stock 3116	40	*	Onan E124 Fuel Injection Engine
18	*	M-2 Center Gear Box	41	*	Velcro Tape
19	*	7.0 x 5/8 Pulley	42	*	Splash Guard TrackKer
20	*	Tensioner Arm	43	*	Heat Shield Foil Material
21	*	Idler Pulley	44	*	Heat Shield Support Plate
22	*	Drive Shaft	45	*	Expanded Metal Plate 4 1/2x 14
23	*	Spacer, Orive Shaft			