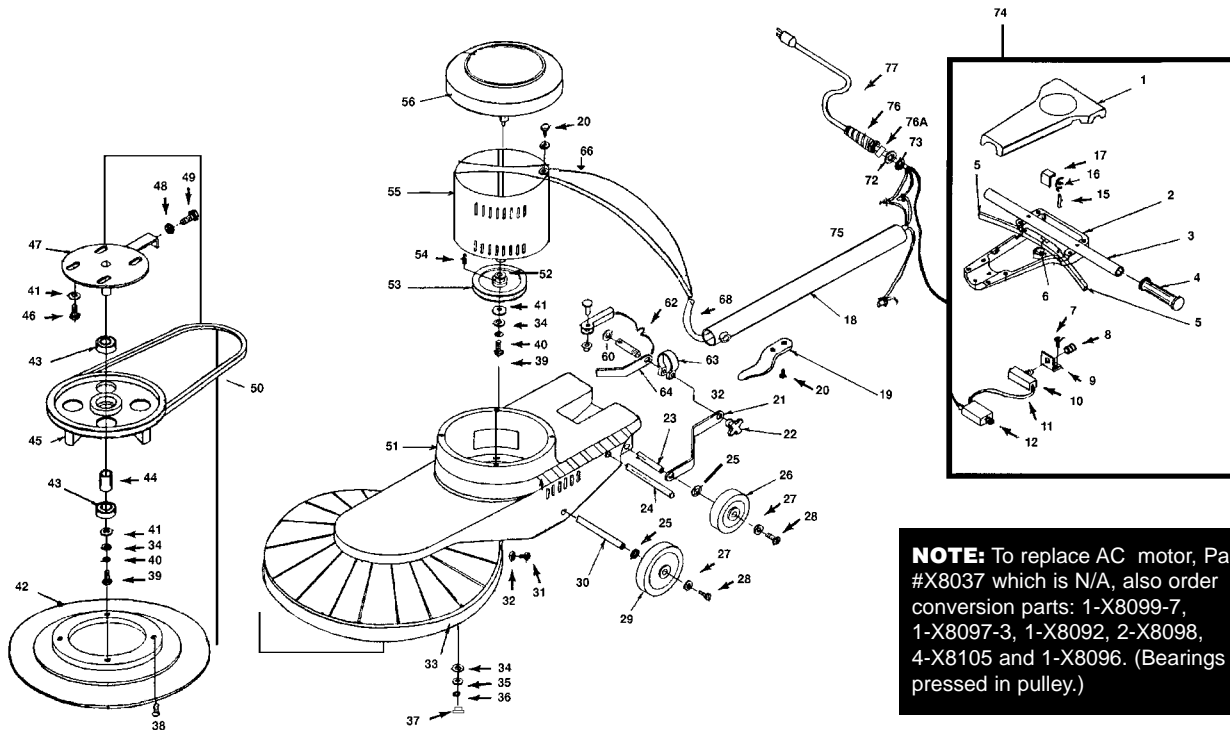


# BURNISHERS

## Parts for P1000, P1200 and P2000



**NOTE:** To replace AC motor, Part #X8037 which is N/A, also order conversion parts: 1-X8099-7, 1-X8097-3, 1-X8092, 2-X8098, 4-X8105 and 1-X8096. (Bearings are pressed in pulley.)

ref#	order	description
1	<b>X8001</b>	handle cover (front)
2	<b>X8002</b>	handle cover (back)
3	<b>X8005</b>	cross bar handle
4	<b>X8007</b>	handle grip
5	<b>X8003</b>	switch lever
6	<b>X8004</b>	lock out ball
7	<b>X8201</b>	8-32 X 3/8" type "F" screw
8	<b>X8010</b>	switch spring
9	<b>X8006</b>	switch bracket
10	<b>F5P</b>	switch (25 amp)
11	<b>X8009</b>	4" jumper wire
12	<b>X8023</b>	15 amp circuit breaker (P1000, P1200)
15	<b>X8026</b>	Dowell pin
16	<b>X8110</b>	Dowell pin spring
17	<b>X8061</b>	clip, switch lever
18	<b>X8011B</b>	handle tube with inserts
	<b>X8011</b>	handle tube (P2000) without inserts
19	<b>X8013</b>	cord hook
20	<b>X8207</b>	10-24 x 1/2" type "F" phil screw
21	<b>X8027L</b>	handle brace (left)
22	<b>X8016</b>	knob
23	<b>X8029</b>	rear axle
24	<b>X8018</b>	pivot shaft
25	<b>X8101</b>	spring washer
26	<b>X8025</b>	4" wheel
27	<b>X8020</b>	axle washer
28	<b>X8210</b>	1/4 - 20 x 1/2" phil flat head screw
29	<b>X8024</b>	5" wheel
30	<b>X8095</b>	axle (main wheels)
31	<b>X8208</b>	10-24 x 5/8" phil pan head screw
32	<b>X8225</b>	3/16" flat washer
33	<b>X8030</b>	46" bumper
34	<b>X8219</b>	3/8" SAE flat washer
35	<b>X8218</b>	5/16" SAE flat washer
36	<b>X8212</b>	1/4" lock washer
37	<b>X8211</b>	1/4-20 x 1 hex cap bolt
*38	<b>X8216</b>	5/16-18 x 1-1/2" flat phil (pad holder)
39	<b>X8215</b>	5/16-18 x 3/4" hex cap bolt
40	<b>X8217</b>	5/16" split lock washer
41	<b>X8230</b>	3/8" wrought washer
42	<b>X8862</b>	flexible pad driver
43	<b>X8098</b>	bearing
44	<b>X8092</b>	bearing spacer
45	<b>X8096</b>	main pulley
46	<b>X8223</b>	3/8-16 x 3/4" hex end cap screw
47	<b>X8091</b>	shaft & plate weldment
48	<b>X8231</b>	5/16-18 hex nut
49	<b>X8227</b>	5/16-18 x 1-1/4" hex tap bolt
50	<b>X8099</b>	43" vee belt (P1200)
	<b>X8099-2</b>	41" vee belt (P1600)

ref#	order	description
	<b>X8099-4</b>	42" belt for P2000 with Type B pulley
	<b>X8099-5</b>	40.5" belt for P1000, P1600 with Type B pulley
	<b>X8099-7</b>	39.5" belt for P1200 with Type B pulley
51	<b>X8050</b>	base housing
52	<b>X8170</b>	3/4" USS washer, plated
53	<b>X8097-1</b>	pulley for P2000
	<b>X8097-2</b>	pulley for P1000, P1600
	<b>X8097-3</b>	pulley for P1200
54	<b>X8047</b>	machine key
55	<b>X8037-1</b>	1-1/2 H.P., 115V, rectified D.C. motor
	<b>X8078</b>	1 H.P., 115V, rectified D.C. motor (P1000 only)
56	<b>X8041</b>	motor cover
60	<b>X8028</b>	1/2" hardened washer
62	<b>X8012A</b>	handle clamp assembly
63	<b>X8012</b>	handle clamp, collar, 1-1/2"
64	<b>X8027R</b>	handle brace (right)
66	<b>X8021</b>	12" ground wire
67	<b>X8150</b>	cable tie
68	<b>X8022B</b>	line cord
69	<b>X8202</b>	8-32 x 1/2" phil pan bolt
70	<b>X8150M</b>	cable tie mount
71	<b>X8256</b>	8-32 keep nut
72	<b>X8228</b>	11/16 I.D. flat washer
73	<b>X8100</b>	counter nut
74	<b>X8600</b>	switch housing, complete with switch and circuit breaker comes with X8023A for P100-1500
75	<b>X8062W</b>	counter weight (P2000)
76	<b>SR37</b>	strain relief, metal
76A	<b>SR37A</b>	brass sleeve, strain relief
77	<b>M1400</b>	14/3, SJTWA 75' cord
	<b>M1400S</b>	cord with strain relief
	<b>M1407</b>	12/3, SJWA, 75' cord (P2000)
	<b>M1407FS</b>	12/3, SJWA, 75' cord w/metal relief
<b>NOT ILLUSTRATED</b>		
	<b>X8062W</b>	handle weight, P2000
	<b>X8213</b>	nut for X8210-1
	<b>X8222</b>	1/4" x 20 x 3/4" socket set screw for X8011 handle
	<b>X8038</b>	60 MFD capacitor AC motor only
	<b>X8039</b>	340 MFD capacitor AC motor only
	<b>X8512</b>	carbon brush, for P1000, P1200 and P1600
	<b>F45P</b>	pad holder center grip
	<b>X8108</b>	wheel spacer
	<b>X8034-2</b>	50 amp, 60 cycle rectifier
	<b>X8180</b>	bottom bearing P1600, P2000
	<b>X8535</b>	upper motor bearing
	<b>X8210-1</b>	screw & nut
	<b>X8220</b>	#14 x 1/2" phil flat head