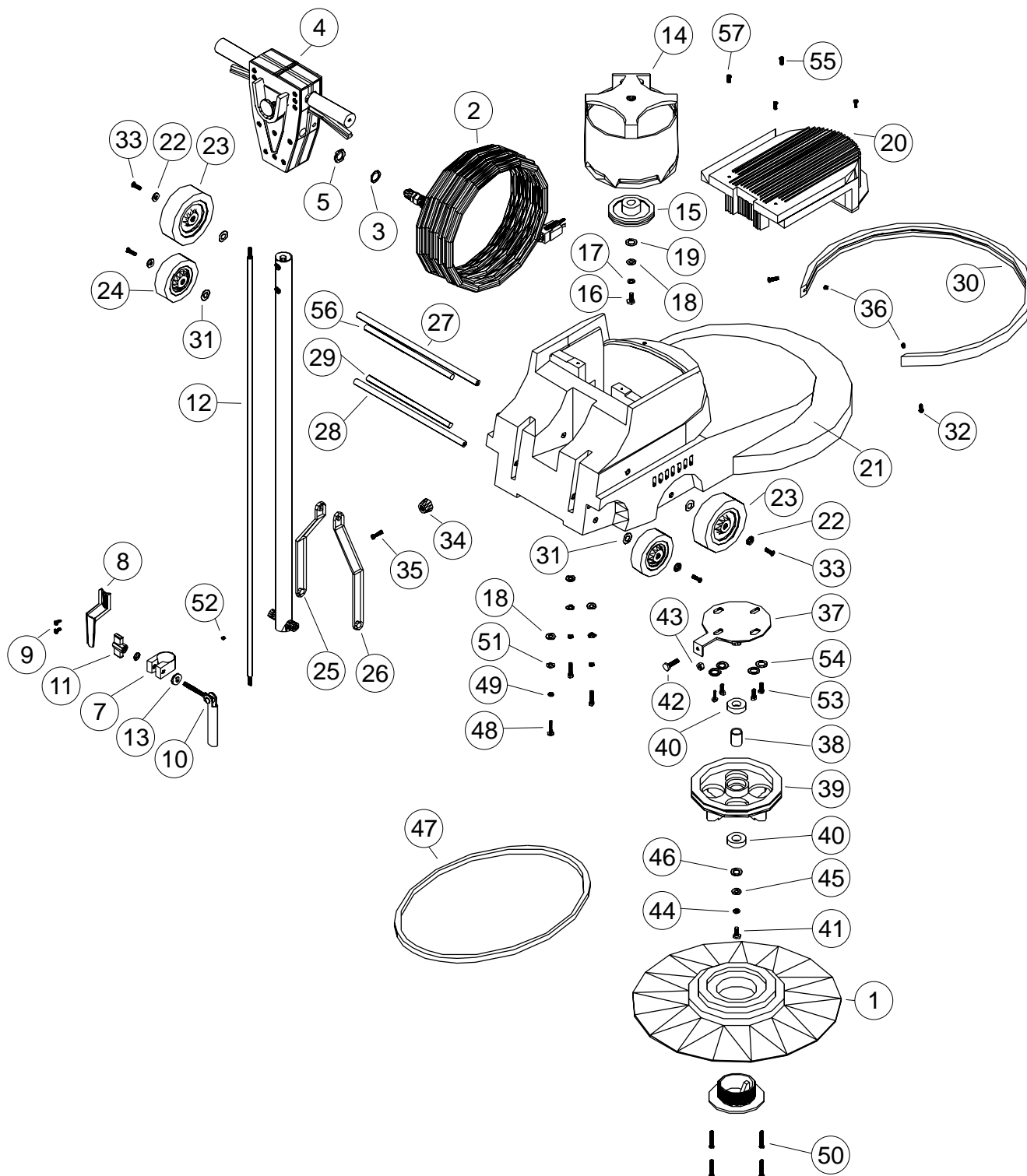


BURNISHERS

Parts for M1200, M1600 and M2000

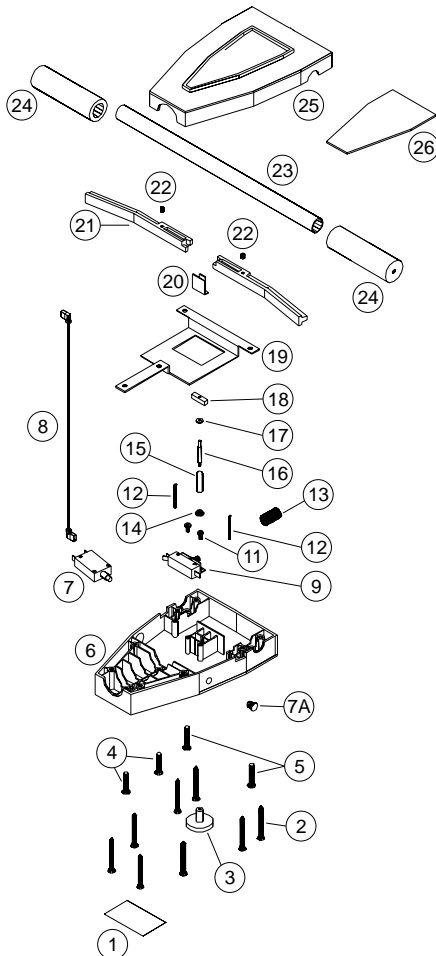


BURNISHERS

Parts for M1200, M1600 and M2000

ref#	order	description
1	X8862	flexible pad driver kit
2	M1400GS	sub, 14/3 sjtwa, 75', gray
3	SR36	strain relief washer
4	X8001A	handle, front, m-series w/logo
5	X8008N	nut, lock, 1/2" steel conduit
6	X8011B	handle weldmount w/ bushings
7	X8012	clamp, collar, handle
8	X8013	cord hook, plated
9	X8207	screw, 10-24 x 1/2"
10	X8014	cam lever assembly
11	X8016	knob, plastic, handle release
12	X8022B	in-line cord w/o s/r,
13	X8028	oval cam washer
14	X8037-1	motor M1600
15	X8097-2	pulley
16	X8216	5/16-18 x 3/4" hex cap bolt
17	X8217	washer, lock 5/16"
18	X8219	3/8" sae flat washer
19	X8230	3/8" wrought washer
20	X8041A	motor cover, new style
21	X8050A	base housing
22	X8020	washer, countersunk, axle
23	X8024	wheel 5" x 1-1/4"
24	X8025	wheel black, 4" x 1-1/4"
25	X8027L	left bracket, brace, handle, w/slot
26	X8027R	right bracket, brace, handle, w/slot
27	X8816	axle, 1/2" dia x 14-1/2"
28	X8812	axle, 1/2" x 13-1/4"
29	X8813	pivot shaft, 1/2" x 10"

ref#	order	description
30	X8030G	bumper
31	X8101	washer, spring
32	X8821	screw, 8-32 x 3/4"
33	X8210	1/4-20 x 1/2" phil flat head
34	X8258A	bumper, blk, 1.13" od x .75" h
35	X8258AS	#8 x 1" phph type "a"
36	X8822	spacer, plastic, blk, #8 x .25
37	X8091	shaft and plate weldment
38	X8092	bearing spacer
39	X8096	main pulley
40	X8098	bearing
41	X8215	5/16-18 x 3/4" hex cap bolt
42	X8227	5/16-18 x 1-1/4" hex cap screw
43	X8231	6/16-18 hex nut
44	X8217	5/16 spring lock washer
45	X8219	3/8 sae flat washer
46	X8230	3/8" wrought washer
47	X8099-5	40.5 inch deep vee belt type b
48	X8226	1/4-20 x 1 1/4 hex head cap
49	X8212	1/4" spring lock washer
50	X8216	5/16-18 x 1 1/2" flat phillips
51	X8218	washer, flat, sae 5/16"
52	X8222	1/4-20 x 3/16" socket set
53	X8223	3/8-16 x 3/4" hex cap, grd 5
54	X8230	3/8" wrought washer
55	X8272	screw, 8-32 x 1/2", truss/ph,
56	X8811	pivot shaft, 1/2" x 10-1/2"
57	X8821	screw, 8-32 x 3/4" thph, blk



"M" series handle parts

ref#	order	description
1	X8418A	warning label
2	X8820	12 x 2 phil flat ts-a
3	X8805	lock out knob
4	X8819	1/4 x 1-1/4 phil flat mach scr
5	X8818	1/4 x 1-1/2 phil flat tc-f
6	X8002A	bottom handle housing
7	X8023	circuit breaker, 15a, w/nuts
7A	X8151C	3/8" hole plug
8	X8009	lead, 14g, blk, 4", w/2 f26
9	X8006	switch bracket
10	F5P	momentary switch 1901-012104
11	X8284	8-32 x 3/8" phph, type f
12	X8026	trigger pin
13	X8010	switch spring
14	X8823	lock-out bushing
15	X8814	spring, od .312, wire di .025
16	X8804	lock-out rod
17	X8817	#6 sae flat washer, black
18	X8803	lock out stop
19	X8806	plate, handle support
20	X8061	clip switch lever
21	X8003	handle switches trigger
22	X8110A	compression spring,
23	X8005	cross bar handle
24	X8007	handle grip
25	X8001A	top handle housing
26	X8815	handle, back, m-series, w/bl

Fax Orders to 817.551.0719

Orders before 1 PM Ship The Same Day!