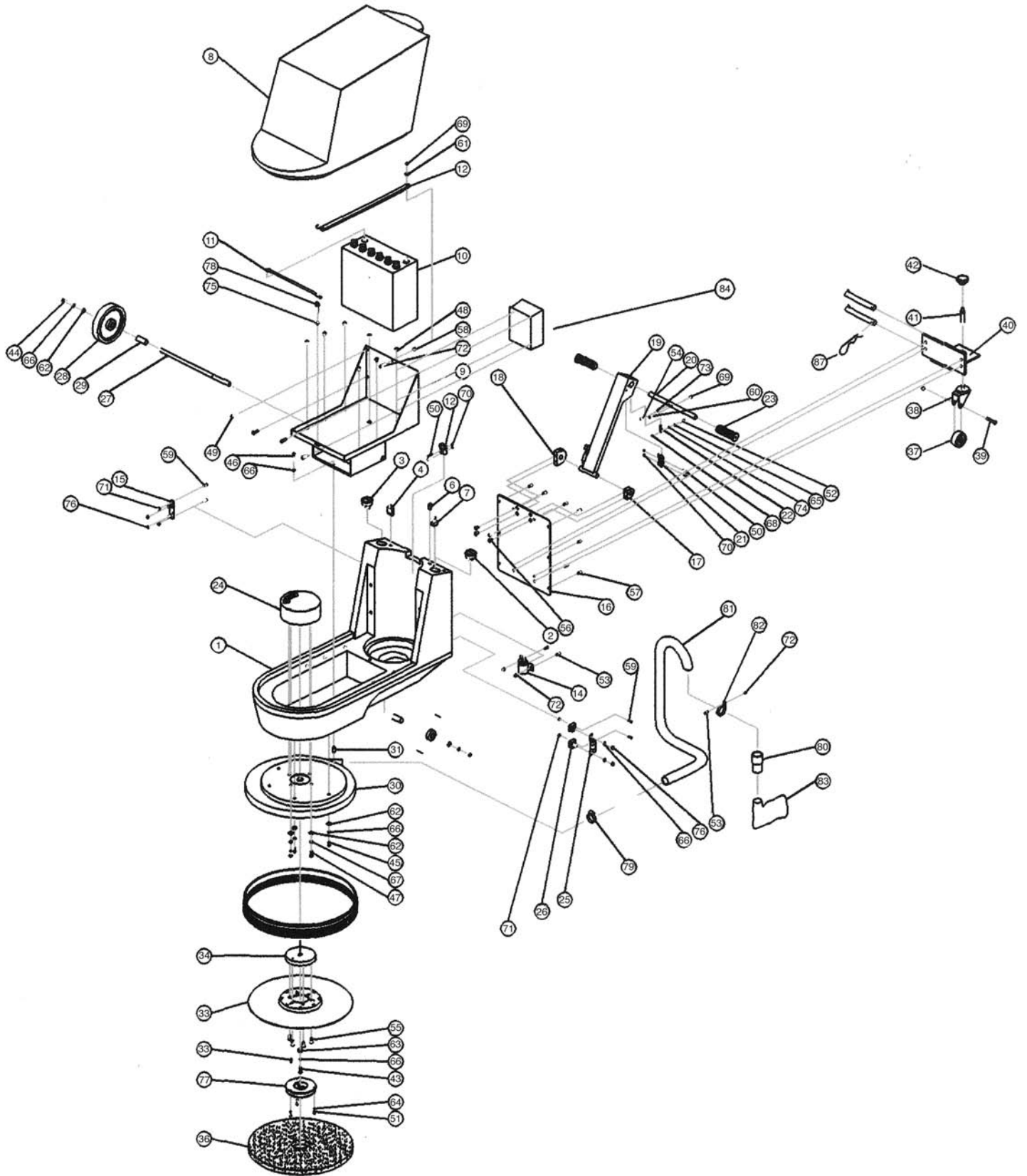
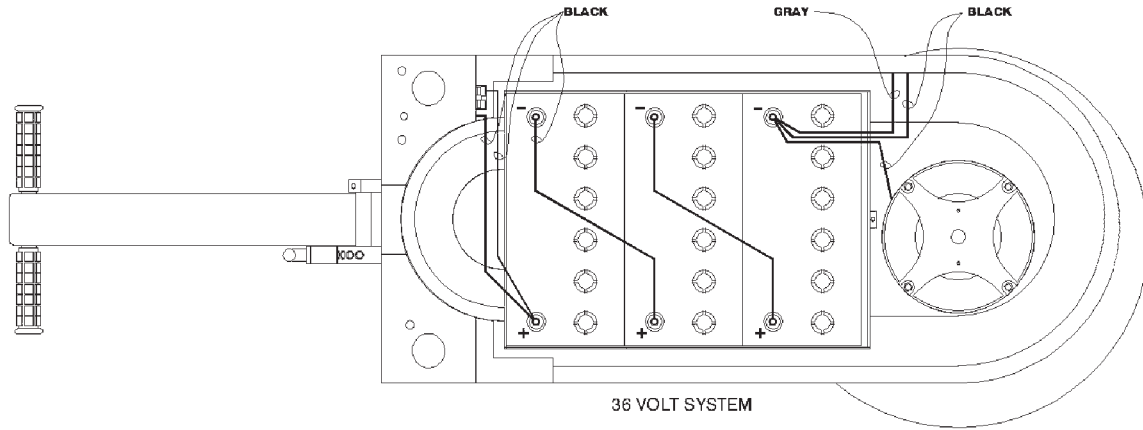


# Model B2001 Parts





### Model B2001 Parts

Ref #	Part #	Description
2	MB2	BATTERY CONDITION METER
3	MB3	RPM LOAD METER
4	MB40	10A CIRCUIT BREAKER
6	MB5	36VDC INDICATOR LIGHT-GREEN
7	MB7	TOGGLE SWITCH
8	MB8	HOUSING, UPPER HOOD COVERING
11	MB47	BATTERY CABLE
14	MB14	DC CONTACTOR
15	MB115	SHUNT
17	MB17	HANDLE ADJUSTING BLOCK
18	MB18	HANDLE POSITIONING BLOCK
24	MB124	Brushless Motor
25	MB125	FUSE 100A
27	MB127	AXLE B2001
28	MB25	WHEEL
29	MB33	WHEEL SPACER
30	MB27	PAD SKIRT

Ref #	Part #	Description
31	MB29	PAD SKIRT SPACER
32	MB28	BRUSH SKIRT
33	MB32	21" PAD DRIVER ASSY. "
34	MB134	Pad Driver Adapter
37	MB36	3" CASTER "
38	MB41	CASTER YOKE
39	MB42	CASTER AXLE AND NUT
40	MB140	CASTER MOUNT BRACKET
41	MB38	CASTER STEM ADAPTER
42	MB39	CASTER KNOB
62	MB46	BEARING, REAR WHEEL FLAT WASHER
65	MB31	#10 LOCK WASHER B2000
73	MB50	#8-32 X1 SLOT ROUND HEAD
76	MB30	5/16-18x 1 1/2 HEX HEAD BOLT
84	MB126	ELECTRONIC CONTROLLER

### *The Powr-Flite Limited Warranty*

The manufacturer warrants to the original purchaser that products manufactured are free from defects, provided such goods are installed, operated and maintained in accordance with written manuals or other instructions for a period of 1 year from date of purchase on workmanship, motor, and parts, switch, and yoke. In case you, as our customer, meet any trouble with your machine, contact a Powr-Flite representative, who will be happy to be of service to you and will take care of any warranty issues.

***Powr-Flite***  
**COMMERCIAL FLOOR CARE EQUIPMENT**

*A Tacony Company*

Ft. Worth, TX 76140

1-800-880-2913