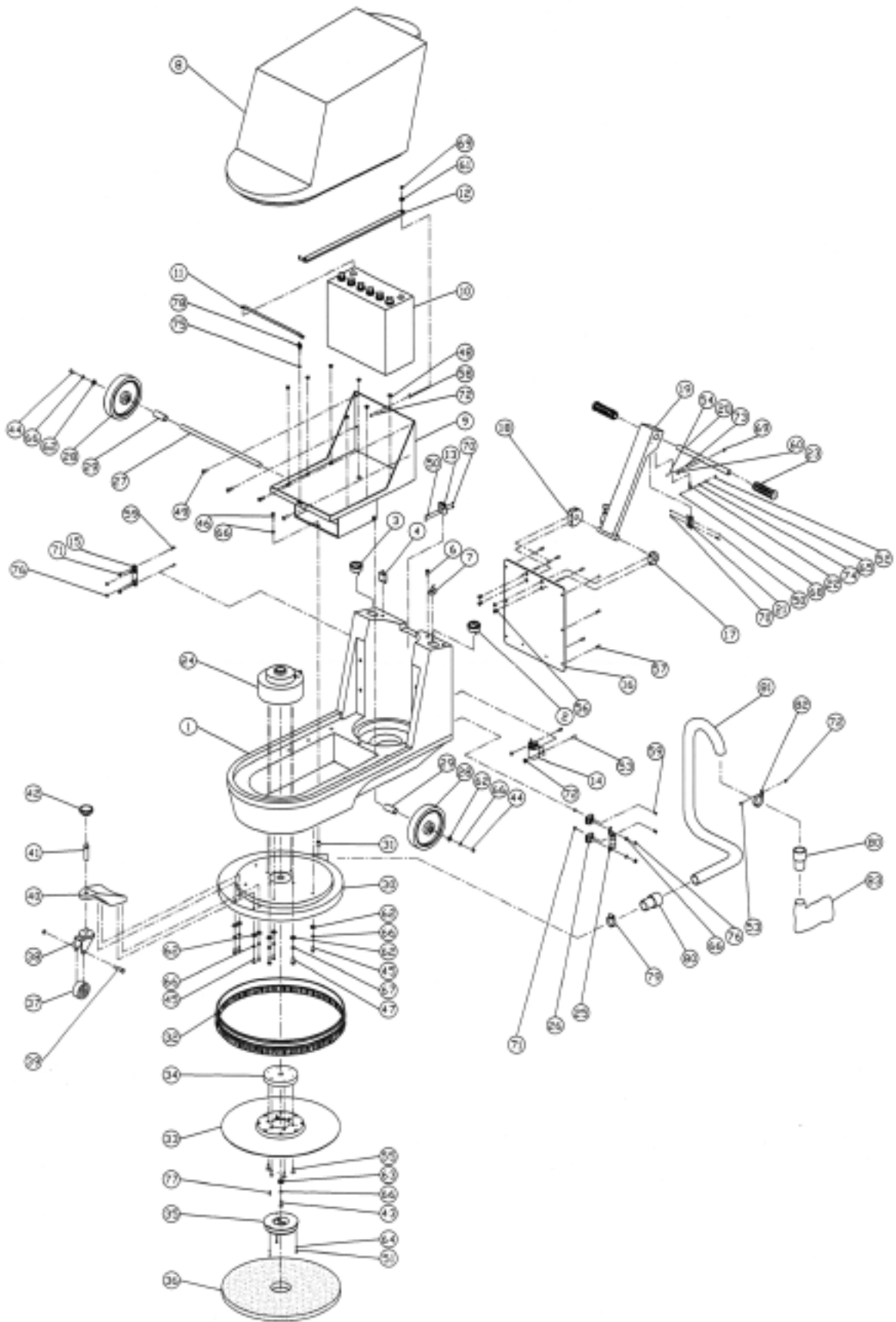
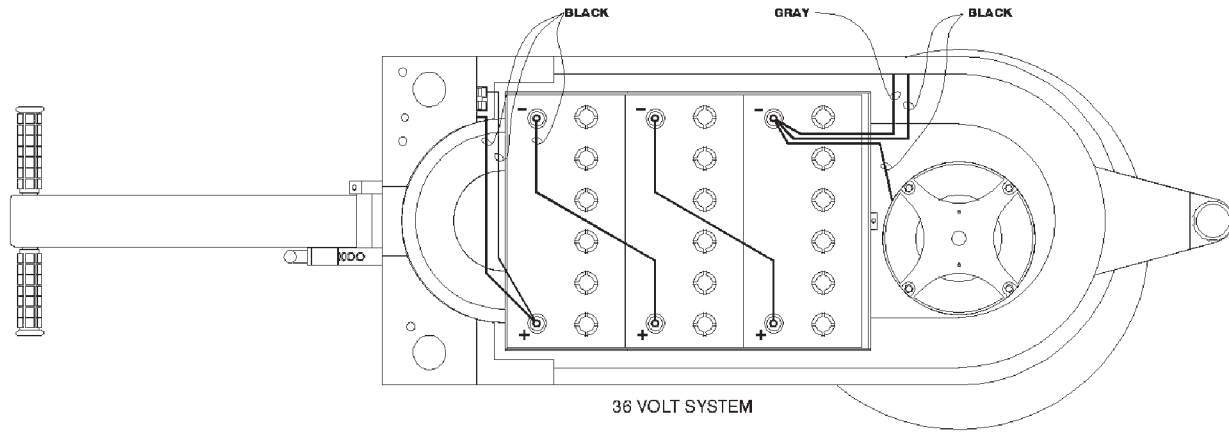


Model B2000 Parts





Model B2000 Parts

Ref #	Qty	Part #	Description	Ref #	Qty	Part #	Description	Ref #	Qty	Part #	Description
1	1		Lower Body Housing	29	2	MB26	Wheel Spacer	53	3		1/4-20x 3/4 Slotted Pan Head Machine Screw
2	1	MB2	Battery Condition Meter	30	1		Pad Skirt				
3	1	MB3	RPM Meter	31	1		Pad Skirt Spacer	54	1		#8-32x 1 Slotted Round Head Machine Screw
4	1	MB40	10A Circuit Breaker	32	1		Brush Skirt				
6	1	MB6	36VDC Indicator Light- Green	33	1	MB32	21" Pad Driver Assembly	55	6		1/4-20x 1 Flat Head Socket Cap screw
7	1	MB7	Toggle Switch	34	1		Pad Driver Adapter	56	4		5/16-18x 3/4 Flat Head Socket Cap Screw
8	1		Upper Hood Cover	35	1	F44P	Pad Retainer	57	10		1/4-20x 5/8 Button Head Socket Cap Screw
9	1		Battery Frame Assembly	36	1		Buffer Pad	58	1		1/4-20x 1 1/2 Button Head Socket Cap Screw
10	3		12V Battery	37	1	MB36	Caster Wheel	59	4		#10-32x 3/4 Socket Head Cap Screw
11	2		Battery Cable	38	1	MB41	Caster Yoke	60	1		1/4-20x 1 1/2 Socket Head Cap Screw
12	1		Battery Strap	39	1	MB42	Caster Axle and Nut	62	10		5/16 Flat Washer
13	1		Electrical Plug	40	1	MB43	Caster Mount Bracket	63	1		5/16 Washer
14	1		DC Contactor	41	1	MB38	Caster Stem Adapter	64	1		#8 Lock Washer
15	1		Shunt	42	1	MB39	Caster Knob	65	3		#10 Lock Washer
16	1		Rear Panel	44	2		5/16-18x 5/8 Hex Head Bolt	66	18		5/16 Lock Washer
17	1		Handle Adjusting Block	45	8		5/16-18x 3/4 Hex Head Bolt	67	4		3/8 Washer
18	1		Handle Positioning Block	46	1		5/16-18x 1 1/2 Hex Head Bolt	68	1		#10-32 Flanged Nut
19	1		Handle Assembly	48	7		5/16-18x 1/2 Slotted Flat Head Machine Screw	69	2		1/4-20 Lock Nut
20	1		Handle Tube	49	4		5/16-18x 1 Slotted Flat Head Machine Screw	70	4		#6-32 Flanged Nut
21	1	MB19	Snap Switch	50	4		#6-32x 1 Slotted Pan Head Machine Screw	71	4		#10-32 Flanged Nut
22	1	MB20	Throttle Spring	51	3		#8-32x 1/2 Slotted Pan Head Machine Screw				
23	2	X8007	Handle Grip	52	1		#10-32x 1 Slotted Pan Head Machine Screw				
24	1	MB44	2.5 hp. 36VDC Motor								
25	1	MB45	Fuse								
26	2		Fuse Block								
27	1	MB24	Axle								
28	2	MB25	Wheel								

The Powr-Flite Limited Warranty

The manufacturer warrants to the original purchaser that products manufactured are free from defects, provided such goods are installed, operated and maintained in accordance with written manuals or other instructions for a period of 1 year from date of purchase on workmanship, motor, and parts, switch, and yoke. In case you, as our customer, meet any trouble with your machine, contact a Powr-Flite representative, who will be happy to be of service to you and will take care of any warranty issues.

Powr-Flite
COMMERCIAL FLOOR CARE EQUIPMENT

A Tacony Company

Ft. Worth, TX 76140

1-800-880-2913