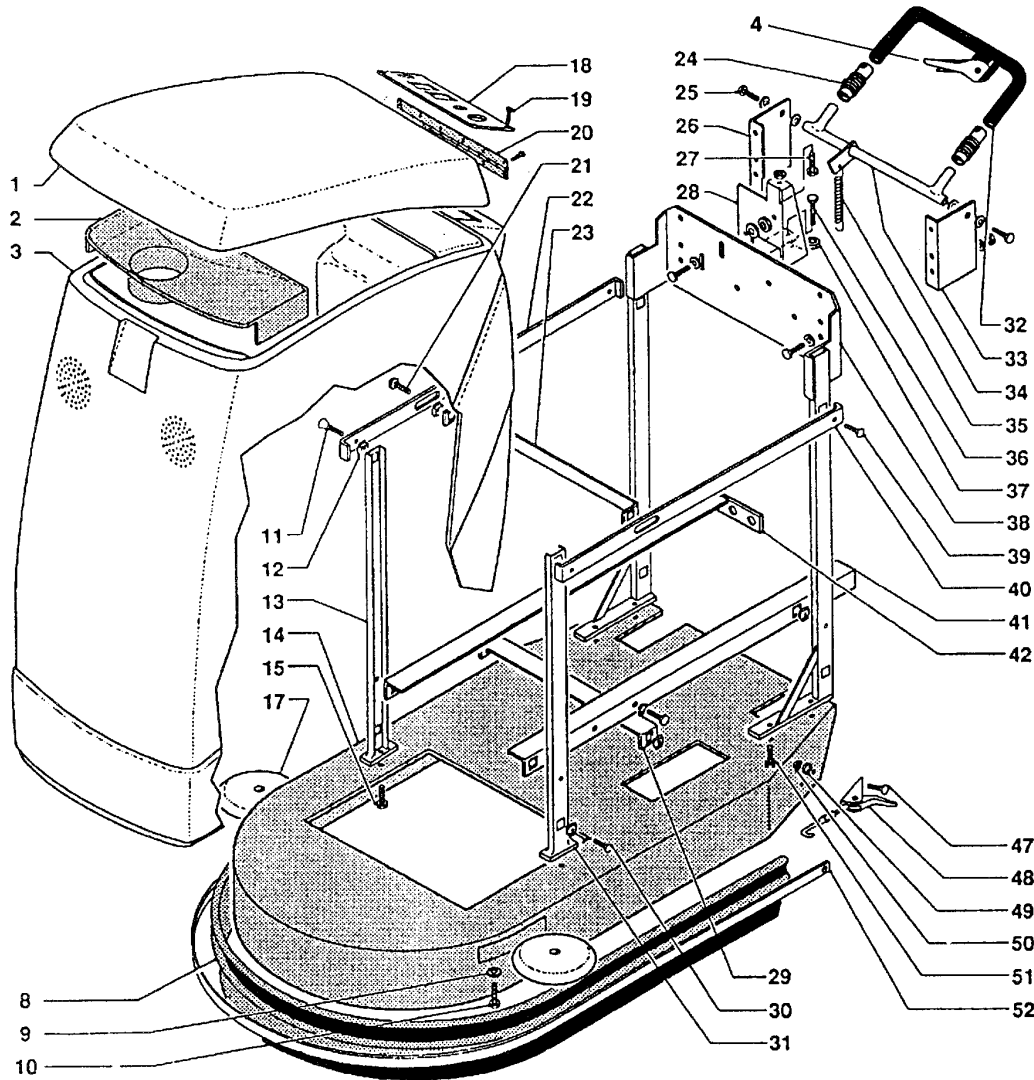


Automatic Scrubbers

Parts for PAS20



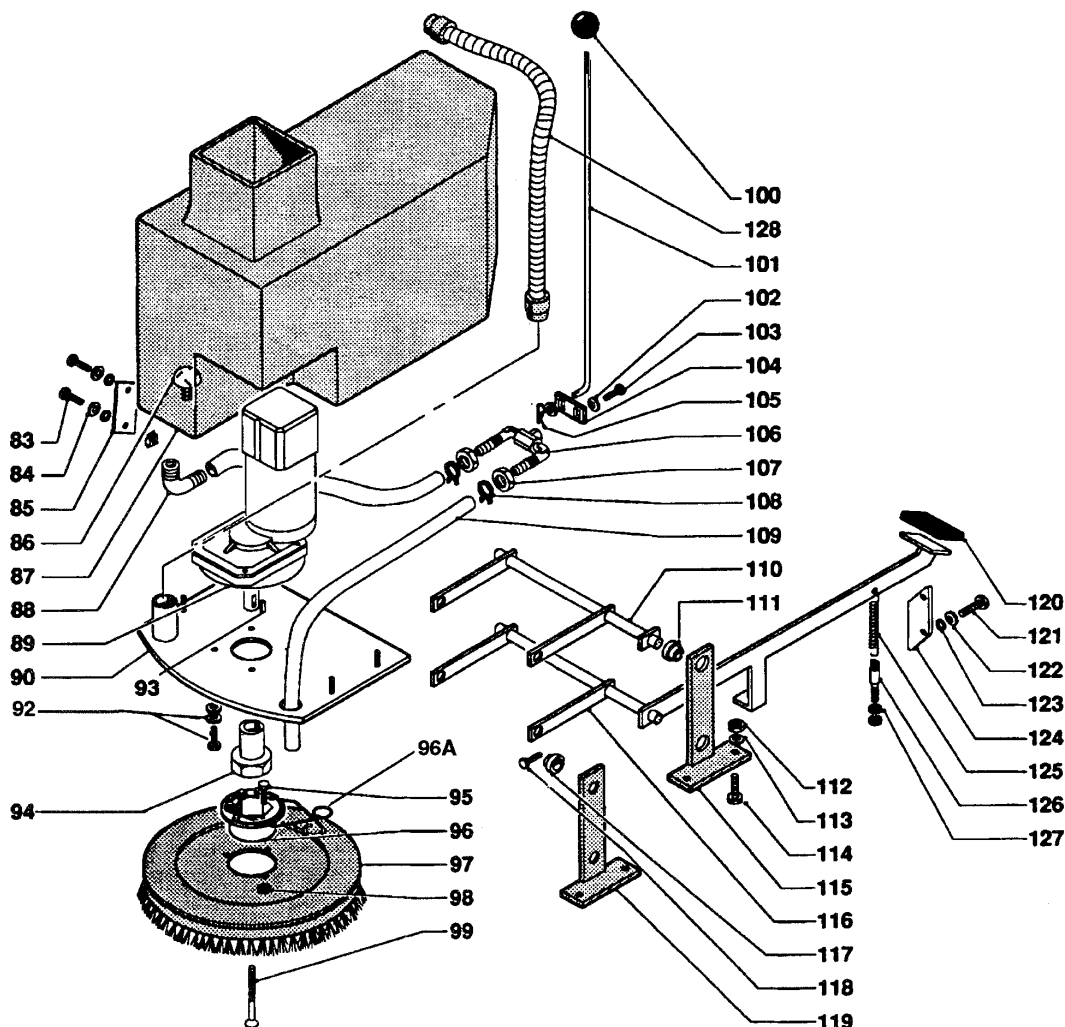
ref#	order	description
1	PAS275	Lid
2	PAS104	Funnel
	PAS104B	Funnel (Serial #2674 & higher)
3	PAS185	Housing
	501.003.1	Housing (Serial #2674 & higher)
4	PAS166	Brake Lever
8	PAS2	Bumper
9	PAS157	Washer
10	PAS36	Screw
11	501.011	Screw
12	430.063	Nut
13	501.013	Bracket
14	PAS800	Housing, Brush
15	PAS167	Screw
17	PAS1	Wheel, Bumper
18	PAS152	Control Panel
19	PAS153	Screw
20	PAS109	Hinge
21	PAS147	Screw
22	501.022	Crosspiece
23	501.023	Bracket
24	PAS335	Bellows
25	PAS167	Screw

ref#	order	description
26	501.026	Bracket
27	PAS114	Screw
28	PAS183	Support
29	501.029	Bracket
30	PAS147	Screw
31	501.013	Bracket
32	PAS159	Handle
33	501.033	Bracket
34	PAS158	Handle Lever
35	PAS18	Spring
36	PAS115	Screw
37	PAS176	Nut
38	501.038	Panel
39	PAS147	Screw
40	501.022	Crosspiece
41	501.041	Bracket
42	501.042	Bracket
47	501.047	Screw
48	PAS122	Hook
49	501.049	Washer
50	501.050	Nut
51	PAS167	Screw
52	PAS100	Strap

* call for price and availability

Automatic Scrubbers

Parts for PAS20



ref#	order	description
83	PAS147	Screw
84	PAS146	Washer
85	501.086	Plate
86	PAS3	Screen
87	PAS401	Solution Tank
88	501.088	Elbow
89	PAS4	Geared motor
90	501.090	Plate
92	PAS111	Coupling Screw
93	PAS101	Dowel
94	PAS5	Coupling half
95	PAS65	Screw
96	PAS6	Support w/long spring
96A	PAS7	Long Spring for support
96B	PAS6	Support only
97	PAS8	Brush, poly
97	PAS132	Strata Grit brush
97	PAS95	Scrub Grit II brush
97	PAS10	Pad driver
97	PAS135	Powr-Scuff brush
98	PAS149	Nut
99	PAS111	Coupling Screw
100	PAS11	Knob
101	PAS151	Rod
102	PAS270	Nut
103	PAS271	Screw
104	PAS269	Valve Lever
105	PAS268	Split Pin

ref#	order	description
106	PAS12	Solution valve
107	PAS262	Nut
108	PX42	Hose Clamp
109	PAS288	Hose
110	430.092	Lever, upper
111	500.155	Bushing
112	430.117	Nut
113	PAS188	Washer
114	PAS167	Screw
115	430.119	Support
116	PAS203	Lever, lower
117	500.155	Bushing
118	501.118	Screw
119	430.094	Support
120	PAS14	Cushion
121	430.107	Screw
122	PAS146	Washer
123	PAS208	Washer
124	PAS259	Bracket
125	PAS230	Spring
126	PAS63	Pin
127	PAS176	Nut
128	PAS37	Dump hose

NOT ILLUSTRATED

PAS215	Wiring panel
PAS216	Wiring plan

order	description
PAS52	Battery gauge
PAS53	Master switch
PAS54	Brush switch
PAS54	Vac Switch
PAS55	Speed potentiometer
PAS56	Micro switch
PAS57	Brush solenoid
PAS57	Vac solenoid
PAS58	Electronic plate
PAS19	Auxiliary fuse
PAS118	20 amp fuse, main
PAS47	Drive motor
PAS4	Brush motor
1924	Suction motor
PAS59	Connector
PAS59	Connector
PAS140	Cable w/ connector
PAS141	Jumper cable
PAS17	16 amp fuse
PAS88	Knob
PAS53K	Key blank
PAS53KNS	Key for PAS53NS
PAS58NS	Electronic plate
PAS53NS	Switch and key, new style
PAS380	Carbon brush, PAS4, 47

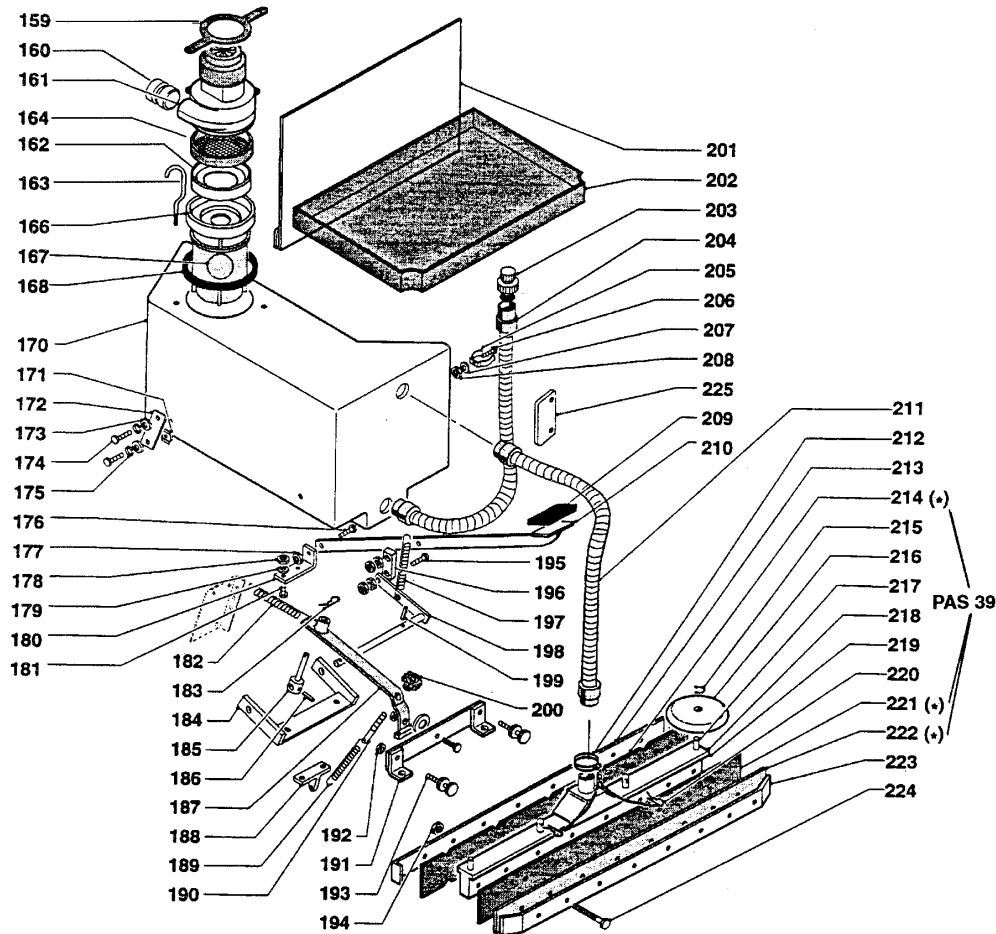
* call for price and availability

Call Toll Free 800.880.2913

Visit Our Website at www.powrflite.com

Automatic Scrubbers

Parts for PAS20



ref#	order	description
159	PAS15	Strap
160	PAS330	Sleeve
161	1924	Vac motor
162	PAS102	Gasket
163	PAS150	Tie rod
164	F909	Screen/Filter
166	PAS7	Float support
167	PAS210	Float
168	PAS103	Seal
169	PAS149	Nut
170	PAS400	Collection tank
171	430.063	Nut
172	501.086	Plate
173	PAS146	Washer
174	PAS147	Screw
175	PAS208	Washer
176	501.176	Screw
177	501.177	Nut
178	PAS189	Nut
179	PAS188	Washer
180	501.180	Bracket
181	PAS167	Screw
182	PAS18	Spring
183	PAS266	Split pin
184	501.184	Bracket
185	PAS19	Pin
186	500.157	Washer
187	PAS184	Lever
188	PAS403	Bracket
189	PAS31	Spring
190	PAS32	Pin
191	PAS404	Support
192	PAS33	Ring nut

ref#	order	description
193	PAS34	Adj., screw
194	PAS149	Nut
195	PAS197	Screw
196	PAS265	Plate
197	PAS230	Spring
198	501.198	Lever
199	PAS280	Roll Pin
200	PAS35	Knob
201	PAS105	Plate
202	PAS381	Tray
203	PAS36	Expansion plug
204	PAS37	Drain hose
205	PAS38	Spring
206	430.194	Screw
207	PAS146	Washer
208	430.192	Nut
209	PAS14	Cushion
210	501.210	Squeegee lever
211	PAS37	Intake hose
212	PAS191	Clamp, hose
213	PAS192	Outer bar
214	PAS142	Black rubber
215	PAS81	Clip
216	PAS33	Wheel, bumper
217	PAS193	Pin
218	PAS40	Squeegee band group
219	PAS194	Squeegee body
220	PAS41	Split pin
221	PAS116	Squeegee blade
222	PAS112	Squeegee blade
223	PAS196	Outer, bar
224	PAS197	Screw

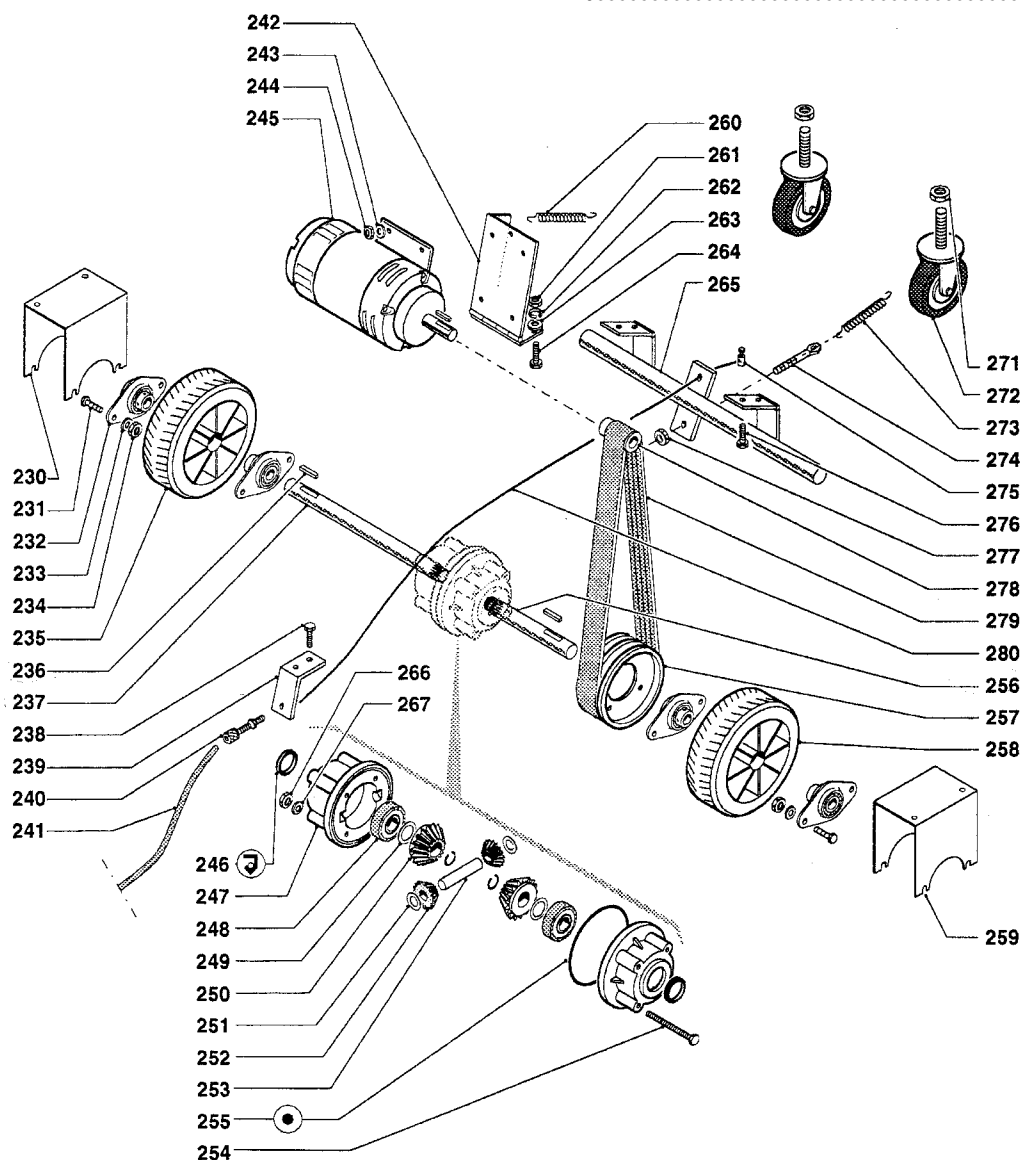
* call for price and availability

Fax Orders to 817.551.0719

Orders before 1 PM Ship The Same Day!

Automatic Scrubbers

Parts for PAS20



ref#	order	description
278	PAS907	Washer
230	501.23	SUPPORT
231	PAS190	SCREW
232	PAS42	SUPPORT
233	PAS188	WASHER
234	PAS189	SELFLOCKING NIIT
235	PAS189	WHEEL
236	501.236	TANG
237	PAS293	SHAFT
238	PAS167	SCREW
239	PAS169	SQUARE
240	PAS170	REGULATOR
241	PAS171	SHEATHING
242	PAS233	PLATE
243	PAS146	WASHER
244	PAS149	NUT
245	PAS47	MOTOR
246	PAS283	SEAL RING
247	PAS284	BELL
248	PAS285	BEARING
249	PAS286	RING
250	PAS287	PLANET GEAR
251	PAS289	RING
252	501.252	PLANETARY
253	PAS291	PIN

ref#	order	description
254	PAS292	SCREW
255	501.255	SEAL
256	PAS282	SHAFT
257	501.257	PULLEY
258	430.236.1	WHEEL
259	201.23	SUPPORT
260	PAS18	SPRING
261	PAS176	NUT
262	PAS907	LOCK WASHER
263	PAS188	WASHER
264	PAS167	SCREW
265	PAS180	BRAKE SHAFT
266	PAS149	NUT
267	PAS146	WASHER
271	PAS207	NUT
272	PAS51A	SWIVEL CASTOR
273	501.141	SPRING
274	PAS63	PIN
275	PAS173	CLAMP
276	PAS167	SCREW
277	PAS176	NUT
278	501.281	PULLEY
279	PAS48	BELT
280	PAS168	CABLE