

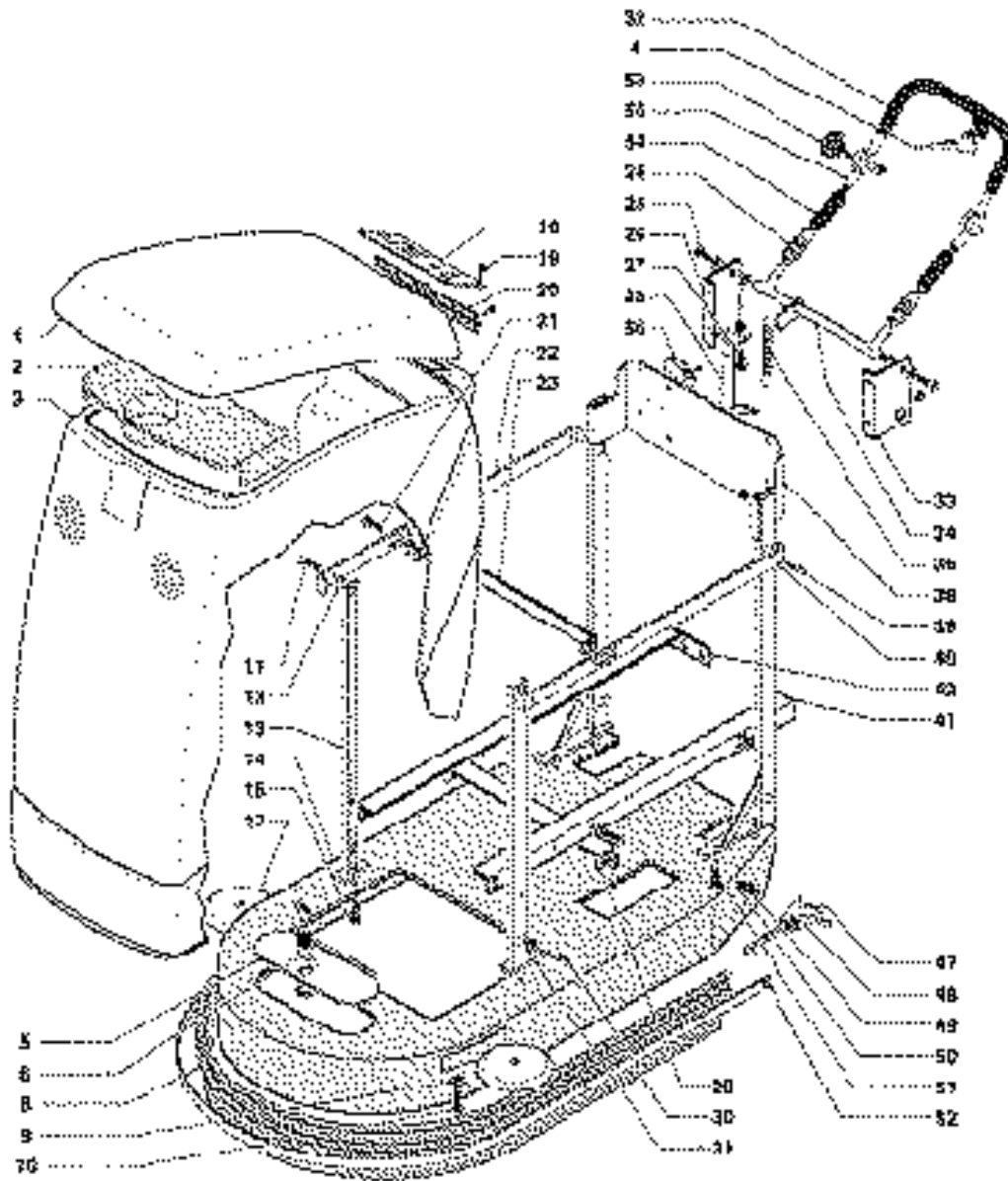
Predator Automatic Scrubber 20

PARTS LIST

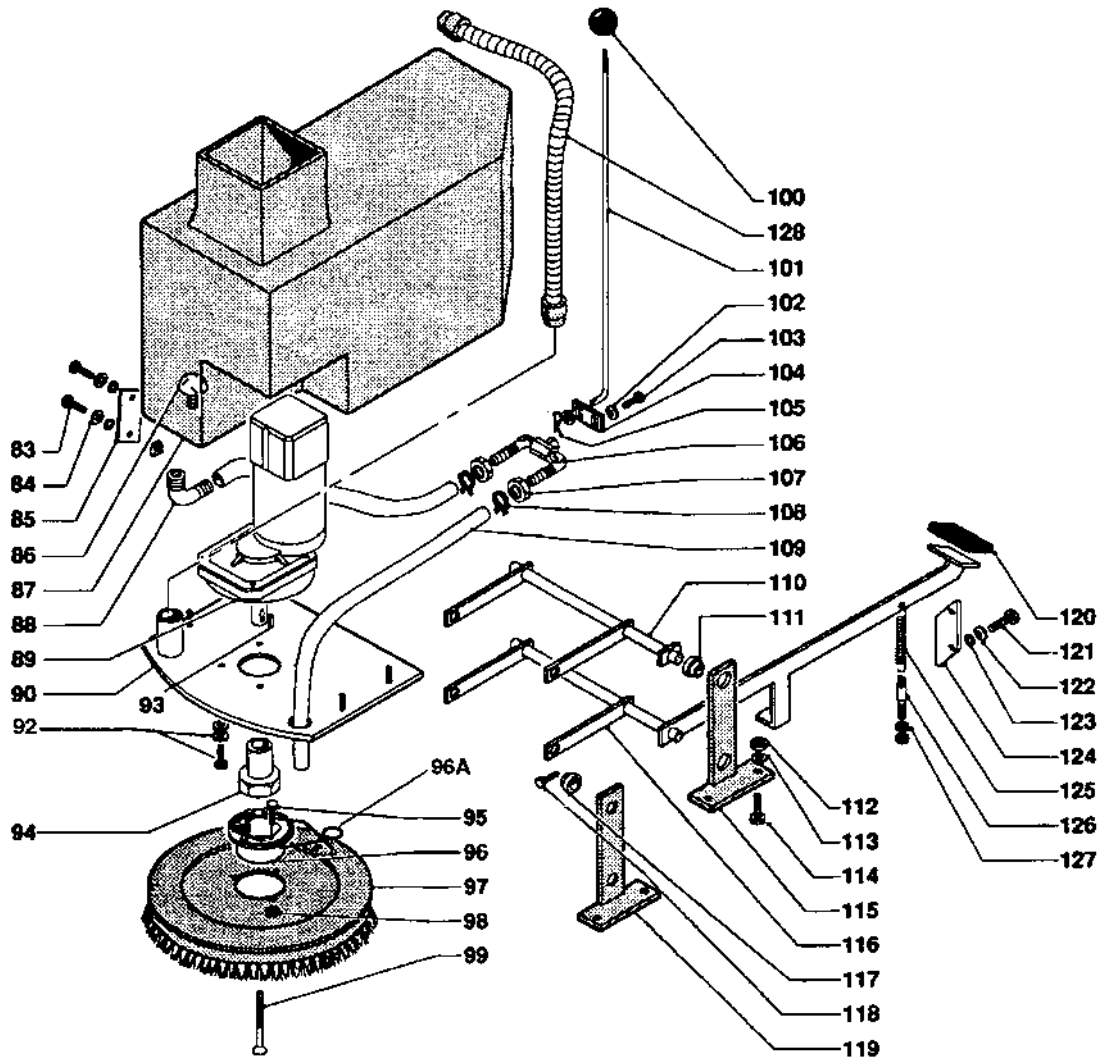
Model PAS20



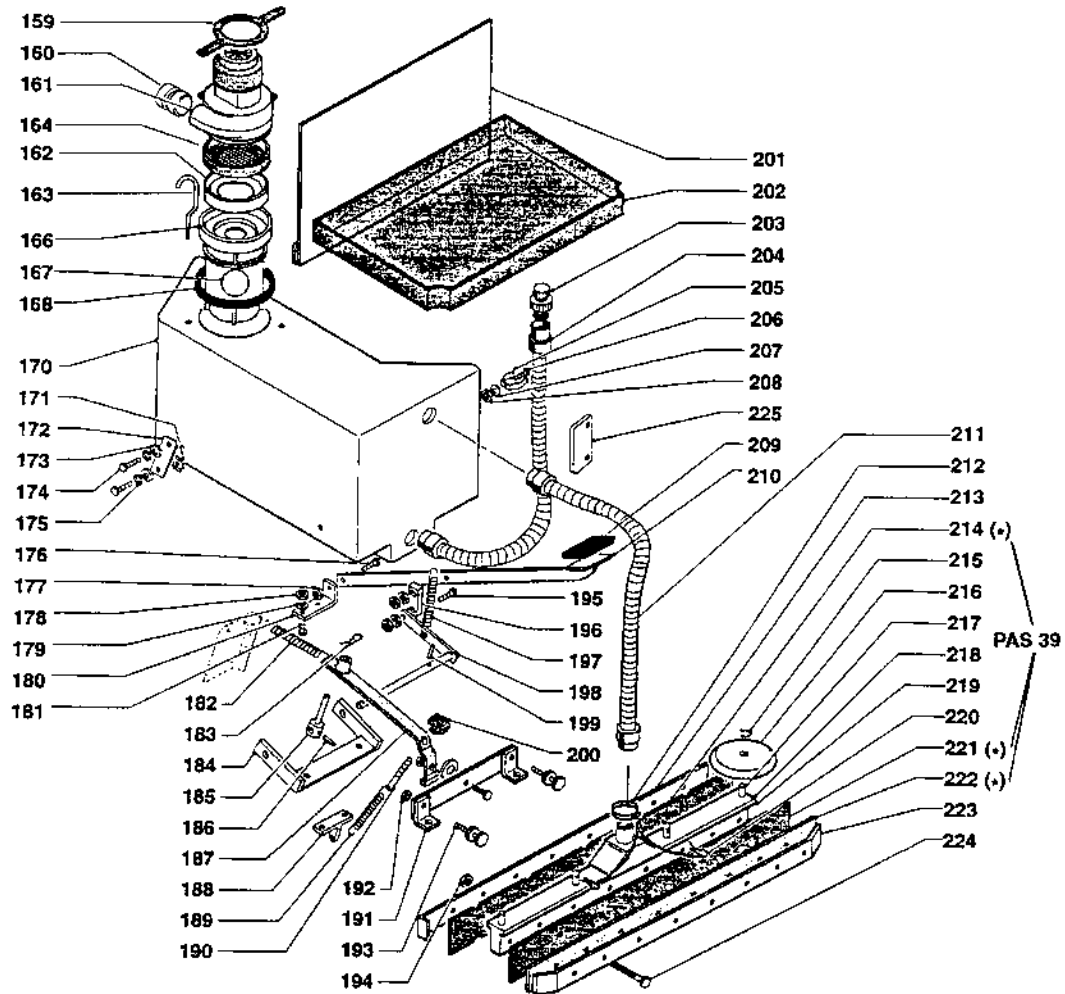
WARNING: OPERATOR MUST READ AND UNDERSTAND THIS MANUAL COMPLETELY BEFORE OPERATING THIS EQUIPMENT.



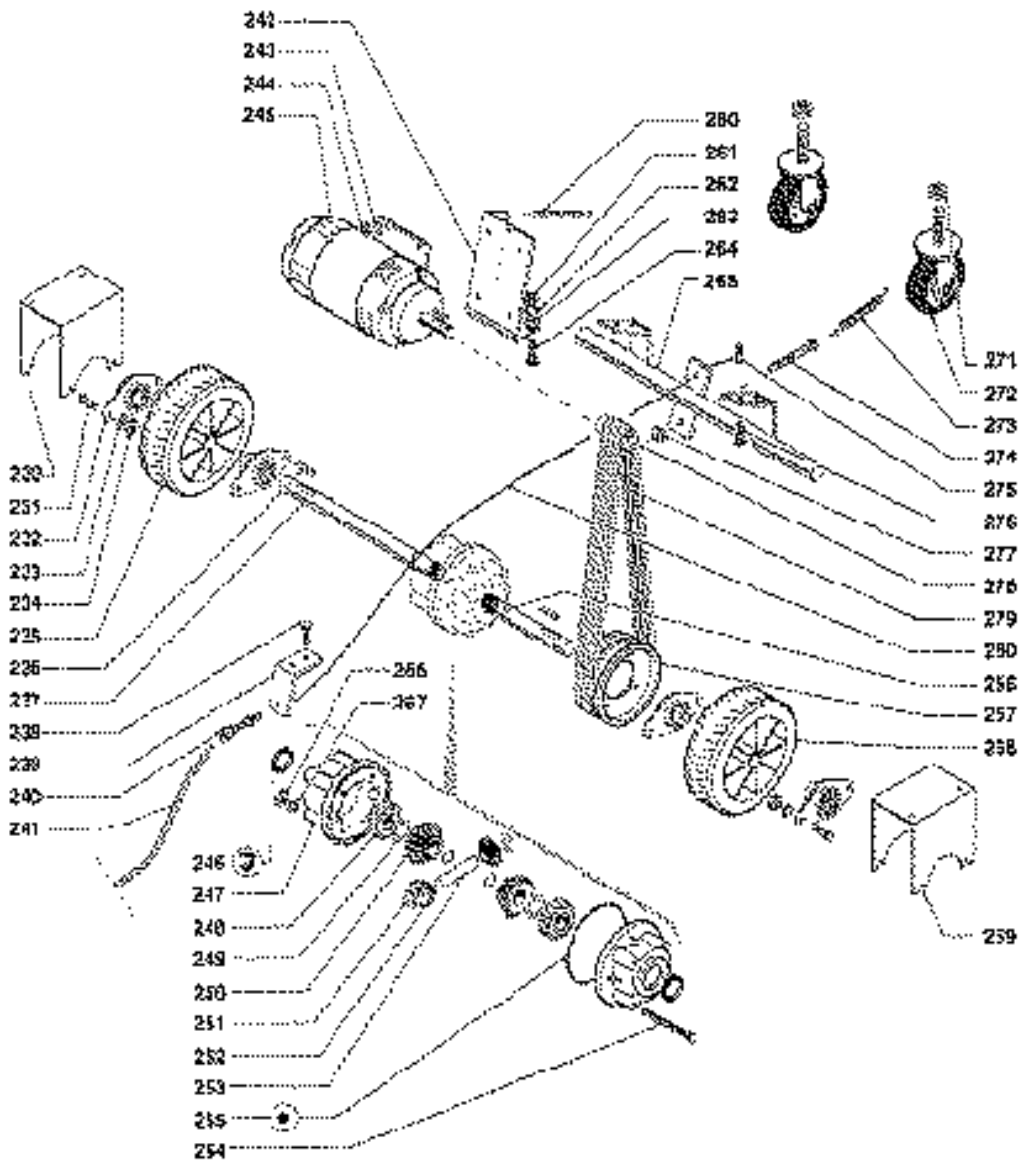
Pos	Part No.	Description	Pos	Part No.	Description	Pos	Part No.	Description
1	PAS275	Lid	17	PAS1	Wheel, Bumper	34	PAS158	Handle Lever
2	PAS104	Funnel	18	PAS152	Control Panel	35	PAS18	Spring
	*PAS 104B	Funnel (Serial #2674 & higher)	19	PAS153	Screw	36	PAS115	Screw
3	PAS 185	Housing	20	PAS109	Hinge	38	501.038	Panel
	*501.003.1	Housing (Serial #2674 & higher)	21	PAS147	Screw	39	PAS147	Screw
4	PAS166	Brake Lever	22	501.022	Crosspiece	40	501.022	Crosspiece
8	PAS2	Splash Guard	23	501.023	Bracket	41	501.041	Bracket
9	PAS 157	Washer	24	PAS335	Bellows	42	501.042	Bracket
10	430.016	Screw	25	PAS167	Screw	47	501.047	Screw
11	501.011	Screw	26	501.026	Bracket	48	PAS 122	Hook
12	430.063	Nut	27	PAS114	Screw	49	501.049	Washer
13	501.013	Bracket	28	PAS183	Support	50	501.050	Nut
14	PAS800	Housing, Brush	29	501.029	Bracket	51	PAS167	Screw
15	PAS167	Screw	30	PAS147	Screw	52	PAS100	Strap
17	PAS1	Wheel, Bumper	31	501.013	Bracket			
			32	PAS158	Upper Handle			
			33	501.033	Bracket			



Pos	Part No.	Description	Pos	Part No.	Description	Pos	Part No.	Description
83	PAS147	Screw	97	PAS8	Brush, poly	112	430.117	Nut
84	PAS146	Washer	97	PAS132	Strata Grit brush	113	PAS188	Washer
85	501.086	Plate	97	PAS95	Scrub Grit II brush	114	PAS167	Screw
86	PAS 3	Screen	97	PAS10	Pad driver	115	430.119	Support
87	PAS401	Solution Tank	97	PAS135	Powr-Scuff brush	116	PAS203	Lever, lower
88	501.088	Elbow	98	430.078	Nut	117	500.155	Bushing
89	PAS 4	Geared motor	99	PAS111	Bolt	118	501.118	Screw
90	PAS241	Plate	100	PAS11	Knob	119	430.094	Support
92	PAS111	Screw & washer coupling	101	PAS151	Rod	120	PAS14	Cushion
93	PAS101	Dowel	102	PAS270	Nut	121	430.107	Screw
94	PAS5	Coupling half	103	PAS271	Screw	122	PAS146	Washer
95	PAS65	Screw	104	PAS269	Valve Lever	123	PAS208	Washer
96	PAS6	Support w/long spring	105	PAS268	Split Pin	124	PAS259	Plate
96A	PAS7	Long Spring for support	106	PAS12	Solution valve	125	PAS230	Spring
96B	PAS6	Support Only	107	PAS262	Nut	126	PAS63	Pin
			108	PX42	Hose Clamp	127	PAS176	Nut
			109	PAS288	Hose	128	PAS37	Dump hose
			110	430.092	Lever, upper			
			111	500.155	Bushing			



Pos	Part No.	Description	Pos	Part No.	Description	Pos	Part No.	Description
159	PAS15	Strap	182	PAS18	Spring	204	PAS37	Drain hose
160	PAS330	Sleeve	183	PAS266	Split pin	205	PAS38	Spring
161	1924	Vac motor	184	501.184	Bracket	206	430.194	Screw
162	PAS102	Gasket	185	PAS19	Pin	207	PAS146	Washer
163	PAS150	Tie rod	186	500.157	Washer	208	430.192	Nut
164	F909	Screen/Filter	187	PAS184	Lever	209	PAS14	Cushion
166	PAS17	Float support	188	PAS403	Bracket	210	501.210	Squeegee lever
167	PAS210	Float	189	PAS31	Spring	211	PAS37	Intake Hose
168	PAS103	Seal	190	PAS32	Pin	212	PAS191	Clamp, hose
169	PAS149	Nut	191	PAS404	Support	213	PAS192	Outer bar
170	PAS400	Collection tank	192	PAS33	Ring nut	214	PAS142	Black rubber
171	430.063	Nut	193	PAS34	Adj., screw	215	PAS81	Clip
172	501.086	Plate	194	PAS149	Nut	216	PAS33	Wheel, bumper
173	PAS146	Washer	195	PAS197	Screw	217	PAS193	Pin
174	PAS147	Screw	196	PAS265	Plate	218	PAS40	Squeegee band group
175	PAS208	Washer	197	PAS 230	Spring	219	PAS194	Squeegee body
176	501.176	Screw	198	501.198	Lever	220	PAS41	Split pin
177	501.177	Nut	199	PAS280	Roll Pin	221	PAS116	Squeegee blade
178	PAS189	Nut	200	PAS35	Knob	222	PAS112	Squeegee blade
179	PAS188	Washer	201	PAS105	Plate	223	PAS196	Outer, bar
180	501.180	Bracket	202	PAS381	Tray	224	PAS197	Screw
181	PAS167	Screw	203	PAS36	Expansion plug			



Pos	Part No.	Description	Pos	Part No.	Description	Pos	Part No.	Description
230	501.23	Support	249	PAS286	"	271	PAS207	Nut
231	PAS190	Screw	250	PAS287	t gear	272	PAS51A	Swivel castor
232	PAS42	Support	251	PAS289	Ring	273	PAS172	Spring
233	PAS188	Washer	252	501.252	Planetary	274	PAS63	Pin
234	430.231	Self locking nult	253	PAS291	Pin	275	PAS173	Clamp
235	PAS189	Wheel	254	PAS292	Screw	276	PAS167	Screw
236	501.236	Tang	255	501.255	Seal	277	PAS176	Nut
237	PAS293	Shaft	256	PAS282	Shaft	278	PAS907	Washer
238	PAS167	Screw	257	501.257	Pulley	279	PAS48	Belt
239	PAS169	Square	258	PAS44A	Wheel	280	PAS168	Cable
240	PAS170	Regulator	259	201.23	Support			
241	PAS171	Sheathing	260	PAS18	Spring			
242	PAS233	Plate	261	PAS176	Nut			
243	PAS146	Washer	262	PAS907	Lock washer			
244	PAS149	Nut	263	PAS188	Washer			
245	PAS47	Motor	264	PAS167	Screw			
246	PAS283	Seal ring	265	PAS180	Brake shaft			
247	PAS284	Bell	266	PAS149	Nut			
248	PAS285	Bearing	267	PAS146	Washer			

Power-Flite[®]
COMMERCIAL FLOOR CARE EQUIPMENT

A Tacony Company
3101 Wichita Court • Ft. Worth, TX 76140-1755