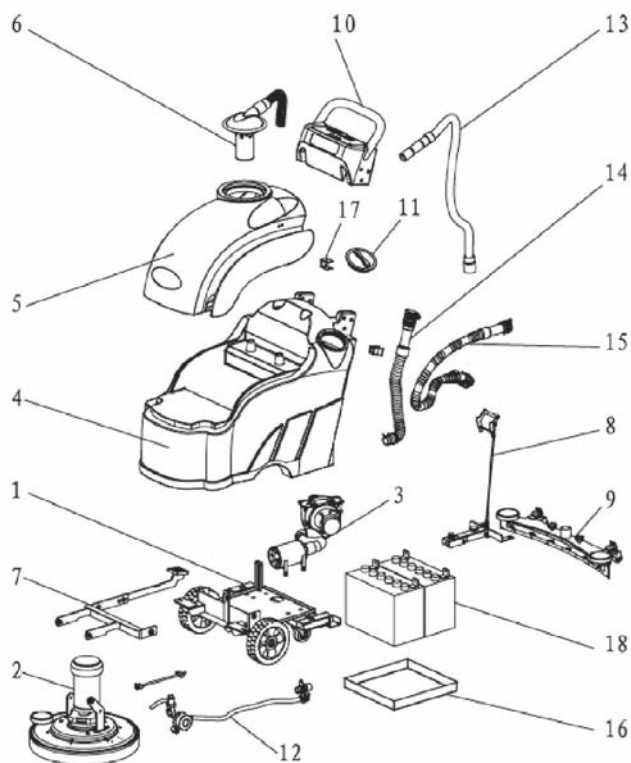


Replacement Parts

Part	Description
Brush	
SF616	Poly Scrub Brush (Optional)
PFLG16	Lite Grit Scrub Brush (Optional)
PFMG16	Medium Grit Scrub Brush (Optional)
PFHG16	Heavy Grit Scrub Brush (Optional)
Clutch Plate	
UP2P	Clutch Plate (must be used with all scrub brushes)
Pad Holder	
PAS17PD	17" Pad Driver
Battery	
B27TMX	12 Volt Battery (2 Required)
Charger	
EC24	24 Volt, 20 Amp Charger

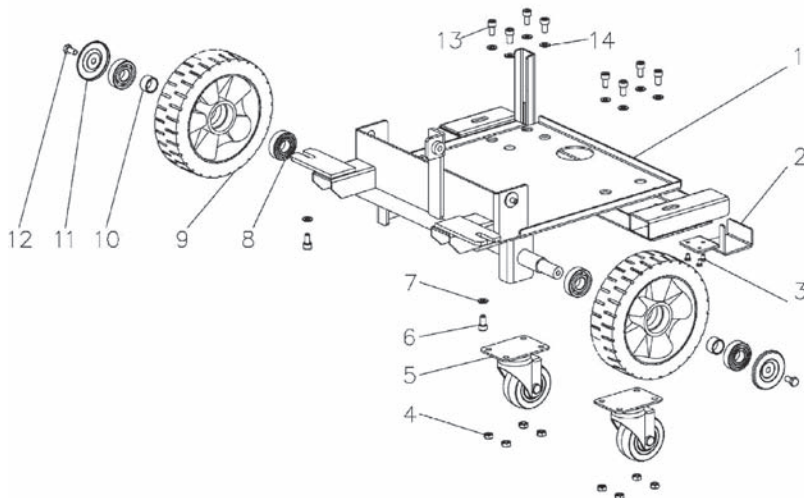
Parts List

Assembly List



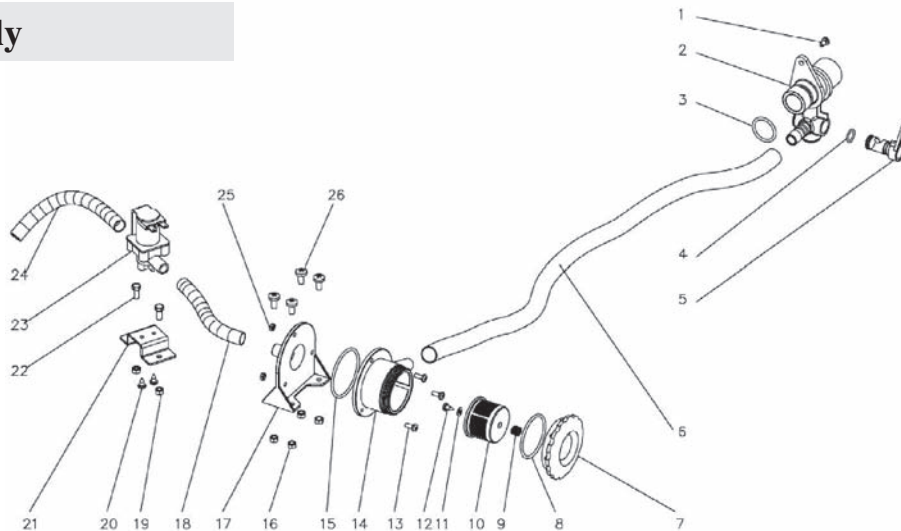
Ref.	Part No.	Description
1	See pg. 9	Chassis Assembly
2	See pg. 10	Brush Motor Assembly
3	See pg. 11	Vacuum Motor Assembly
4	33647	Solution Tank
5	33648	Recovery Tank
6	See pg. 11	Float Assembly
7	See pg. 12	Lift Assembly
8	See pg. 13	Squeegee Lift Assembly
9	See pg. 12	Squeegee Assembly
10	See pg. 10	Control Panel Assembly
11	33654	Cap
12	See pg. 9	Valve Filter Assembly
13	See pg. 14	Vacuum Hose Assembly
14	See pg. 14	Solution Tank Hose Assembly
15	See pg. 14	Recovery Tank Hose Assembly
16	33659	Battery Holding Plate
17	33660	Hose Clip
18	B27TMX	12 V Battery (2 Required – see "Replacement Parts")

Chassis Assembly



Ref.	Part No.	Description	Qty
1	33668	Chassis	1
2	33669	Bracket	1
3	33670	Screw	3
4	33671	Nut	8
5	33672	Castor	2
6	33673	Screw	4
7	33674	Washer	4
8	33675	Bearing	4
9	33676	Wheel	2
10	33677	Spacer	2
11	33678	Cap	2
12	33679	Bolt	2
13	33680	Screw	8
14	33681	Spring Washer	8

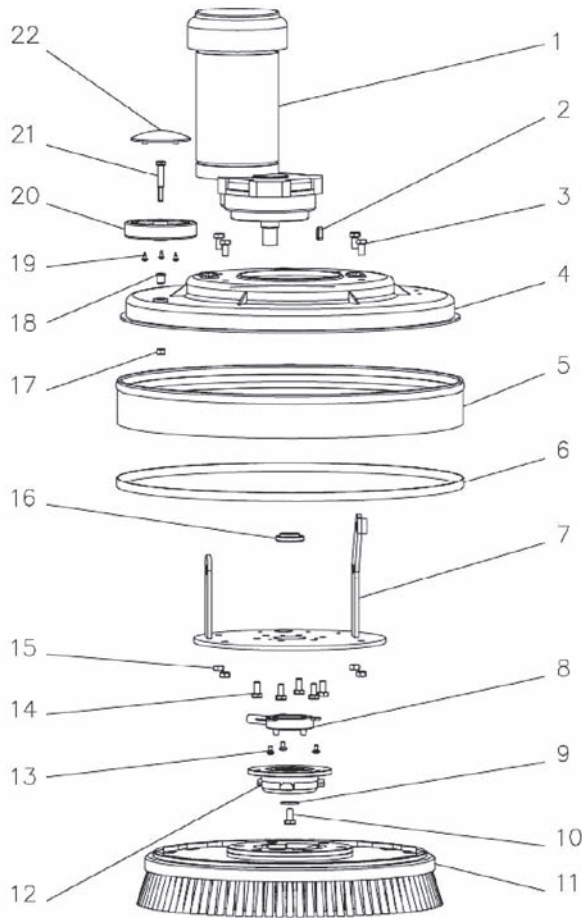
Valve Assembly



Ref.	Part No.	Description	Qty.
1	33803	Screw	1
2	33804	Solution Valve	1
3	33805	O-Ring	1
4	33806	O-Ring	1
5	33807	Solution Control Lever	1
6	33808	Hose	1
7	33809	Cover	1
8	33810	O-Ring	1
9	33811	Spring	1
10	33812	Filter	1
11	33813	Washer	1
12	33814	Screw	1
13	33815	Screw	3

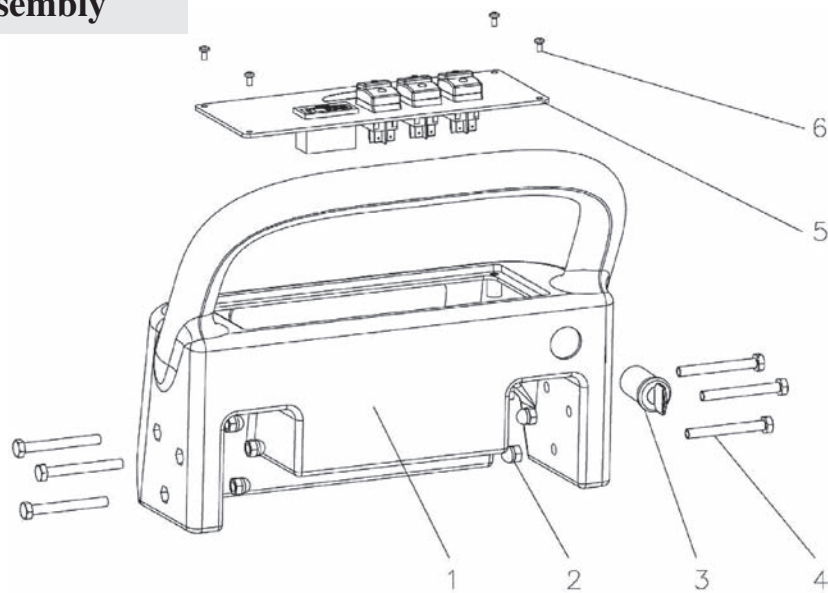
Ref.	PartNo.	Description	Qty.
14	33816	Filter Support	1
15	33817	O-Ring	1
16	33818	Nut	4
17	33819	Filter Bracket	1
18	33820	Hose	1
19	33821	Nut	2
20	33822	Screw	2
21	33823	Bracket	1
22	33824	Bolt	2
23	33825	Solution Solinoid Valve	1
24	33826	Hose	1
25	33827	Nut	3
26	33828	Screw	4

Brush Assembly



Ref.	Part No.	Description	Qty
1	33682	Brush Motor	1
2	33683	Key	1
3	33684	Bolt	4
4	33685	Cover	1
5	33686	Skirt	1
6	33687	Strap	1
7	33688	Bracket	1
8	33689	Water Drain Out	1
9	33690	Washer	1
10	33691	Bolt	1
11	SF616	Brush (See "Replacement Parts")	1
12	33692	Brush Driver	1
13	33693	Screw	3
14	33694	Bolt	5
15	33695	Nut	4
16	33696	Spacer	1
17	33697	Nut	1
18	33698	Liner	1
19	33699	Screw	3
20	33700	Side Pulley	1
21	33701	Bolt	1
22	33702	Lid	1

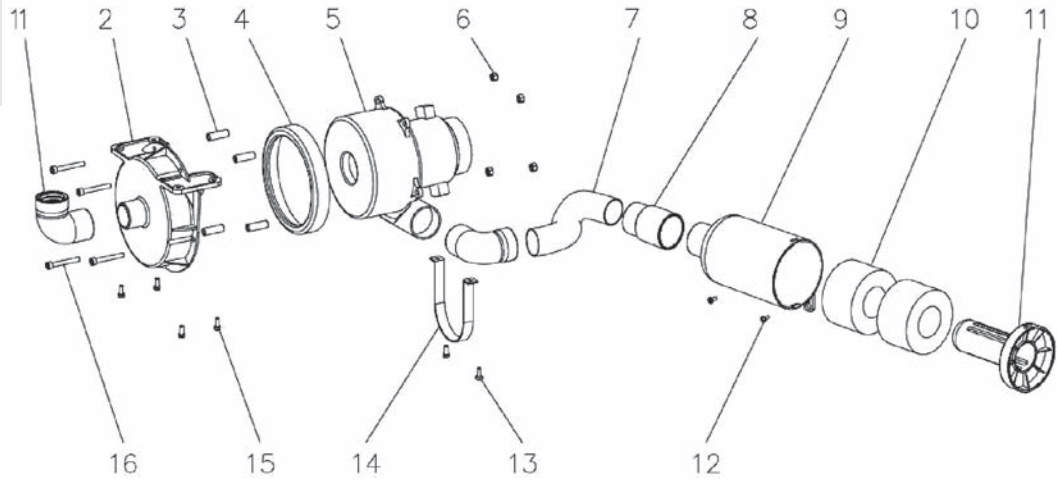
Control Panel Assembly



Ref.	Part No.	Description	Qty
1	33797	Control Box	1
2	33798	Nut	6
3	33799	Key Switch Assembly	1

Ref.	Part No.	Description	Qty
4	33800	Bolt	6
5	33801	Control Panel	1
6	33802	Screw	4

Vacuum Motor Assembly

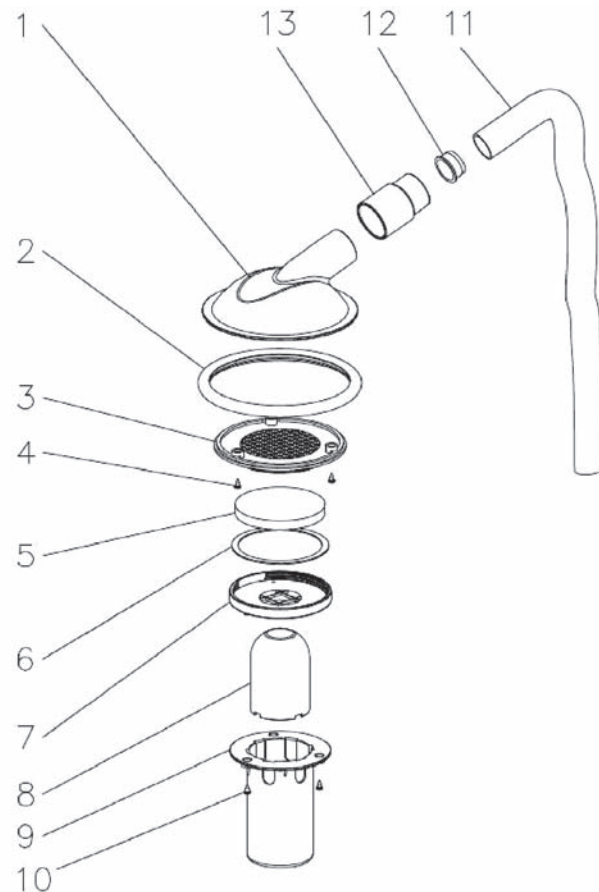


Ref.	Part No.	Description	Qty
1	33703	Elbow	2
2	33704	Bracket	1
3	33705	Connector	4
4	33706	Gasket	1
5	33707	Vacuum Motor	1
6	33708	Nut	4
7	33709	Hose	1
8	33710	Sleeve	1

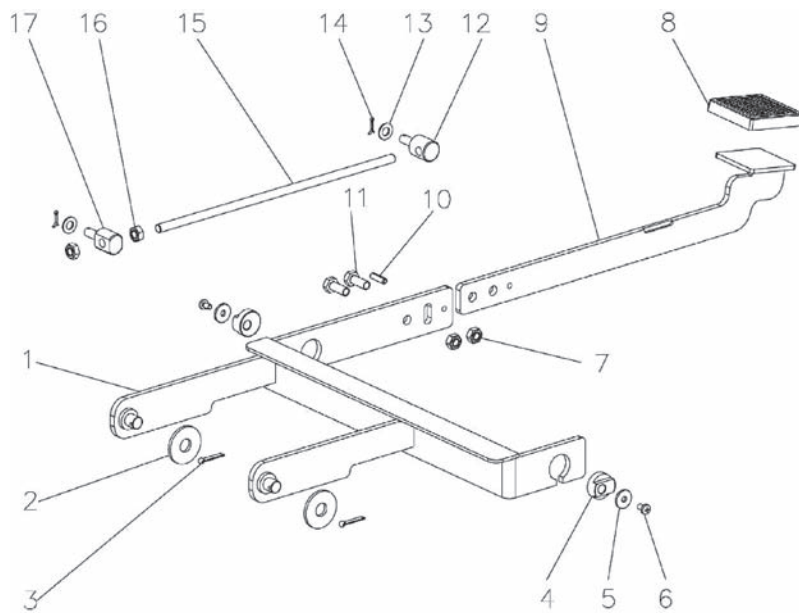
Ref.	Part No.	Description	Qty
9	33711	Muffler	1
10	33712	Sponge	2
11	33713	Core	1
12	33714	Screw	2
13	33715	Bolt	2
14	33716	Spacer Ring	1
15	33717	Bolt	4
16	33718	Bolt	4

Float Assembly

Ref.	Part No.	Description	Qty
1	33719	Top Lid	1
2	33720	Seal	1
3	33721	Fitting Mesh	1
4	33722	Screw	3
5	33723	Filter	1
6	33724	Gasket	1
7	33725	Cover	1
8	33726	Float	1
9	33727	Bucket	1
10	33728	Screw	1
11	33729	Hose	1
12	33730	Hose Liner	1
13	33731	Sleeve	1

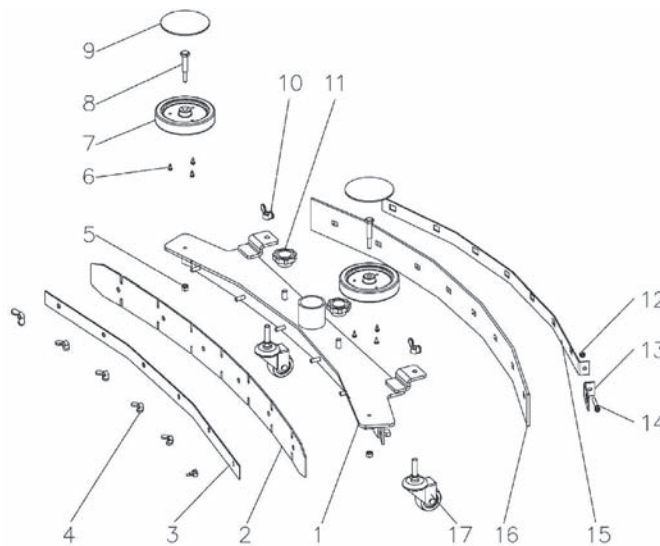


Lift Assembly



Ref.	Part No.	Description	Qty
1	33732	Lift	1
2	33733	Washer	2
3	33734	Pin	2
4	33735	Eccentricity Bushing	2
5	33736	Washer	2
6	33737	Screw	2
7	33738	Nut	2
8	33739	Pedal Cover	1
9	33740	Pedal	1
10	33741	Spring Pin	1
11	33742	Bolt	2
12	33743	Pin Shaft	1
13	33744	Washer	1
14	33745	Cotter Pin	1
15	33746	Arm	1
16	33747	Nut	2
17	33748	Pin Shaft	1

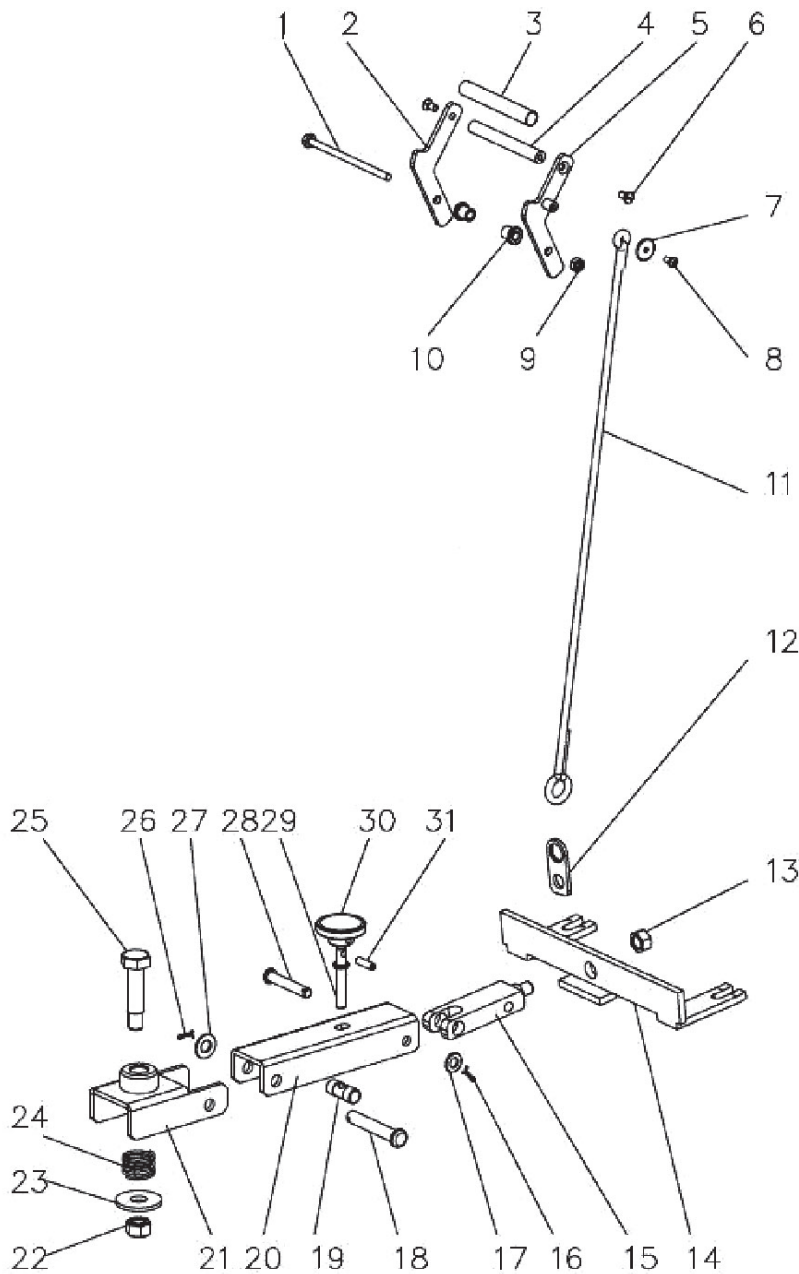
Squeegee Assembly



Ref.	Part No.	Description	Qty
1	33780	Squeegee Assembly	1
2	33781	Squeegee Blade Front	1
3	33782	Squeegee Blade Strap Front	1
4	33783	Butterfly Nut	6
5	33784	Nut	2
6	33785	Screw	3
7	33786	Squeegee Guide Wheel	2
8	33787	Bolt	2
9	33788	Lid	2

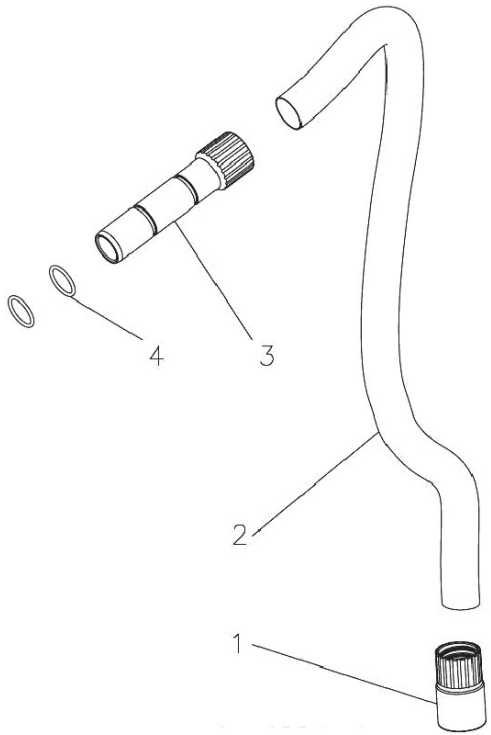
Ref.	Part No.	Description	Qty
10	33789	Butterfly Nut	2
11	33790	Knob	2
12	33791	Nut	1
13	33792	Squeegee Blade Strap Rear	1
14	33793	Bolt	1
15	33794	Strap Rear	1
16	33795	Squeegee Blade Rear	1
17	33796	Castor	2

Squeegee Lift Assembly

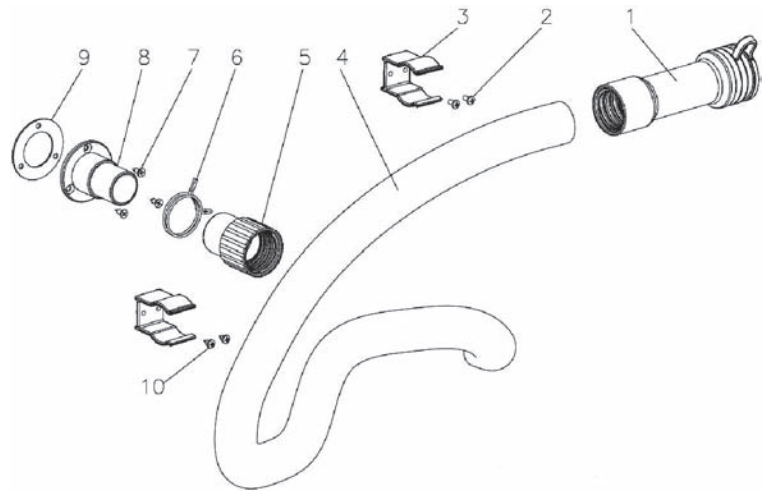


Ref.	Part No.	Description	Qty
1	33749	Bolt	1
2	33750	Plate Right	1
3	33751	Pipe	1
4	33752	Handle	1
5	33753	Plate Left	1
6	33754	Screw	2
7	33755	Washer	1
8	33756	Screw	1
9	33757	Nut	1
10	33758	Liner	3
11	33759	Rope Assembly	1
12	33760	Hang Ring	1
13	33761	Nut	1
14	33762	Balance Frame	1
15	33763	Shaft	1
16	33764	Cotter Pin	1
17	33765	Washer	1
18	33766	Pin Shaft	1
19	33767	Adjust Nut	1
20	33768	Supporting Arm	1
21	33769	Supporting Arm	1
22	33770	Nut	1
23	33771	Washer	1
24	33772	Spring	1
25	33773	Bolt Shaft	1
26	33774	Cotter Pin	1
27	33775	Washer	1
28	33776	Pin Shaft	1
29	33777	Adjust Bolt	1
30	33778	Adjuster	1
31	33779	Spring Pin	1

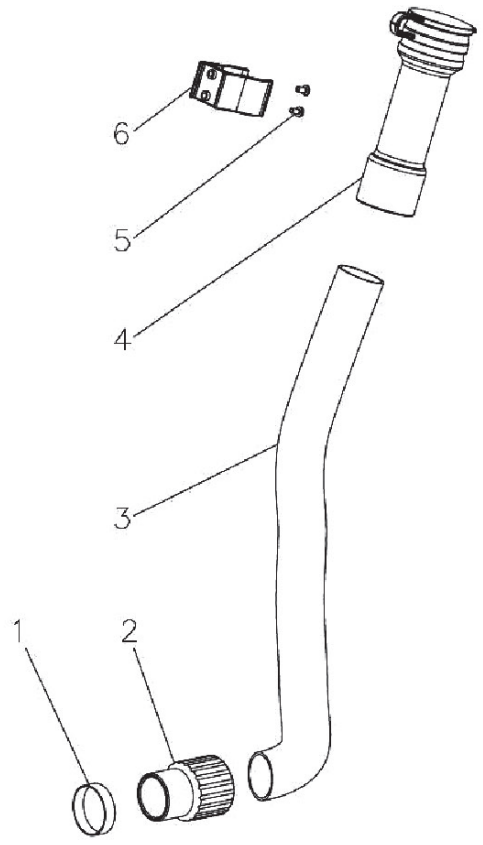
Vacuum Hose Assembly



Recovery Drain Hose Assembly



Solution Drain Hose Assembly



Ref.	Part No.	Description	Qty.
Vacuum Hose Assembly			
1	33829	Sleeve	1
2	33830	Hose	1
3	33831	Sleeve	1
4	33832	O-Ring	2
Recovery Drain Hose Assembly			
1	33833	Drain Out Plug	1
2	33834	Screw	2
3	33835	Hose Clamp	2
4	33836	Hose	1
5	33837	Sleeve	1
6	33838	Clamp	1
7	33839	Screw	3
8	33840	Base Joint	1
9	33841	Gasket	1
10	33842	Screw	2
Solution Drain Hose Assembly			
1	33843	Strap	1
2	33844	Sleeve	1
3	33845	Hose	1
4	33846	Drain Out Plug	1
5	33847	Screw	2
6	33848	Clamp	1