

# Predator Automatic Scrubber 16

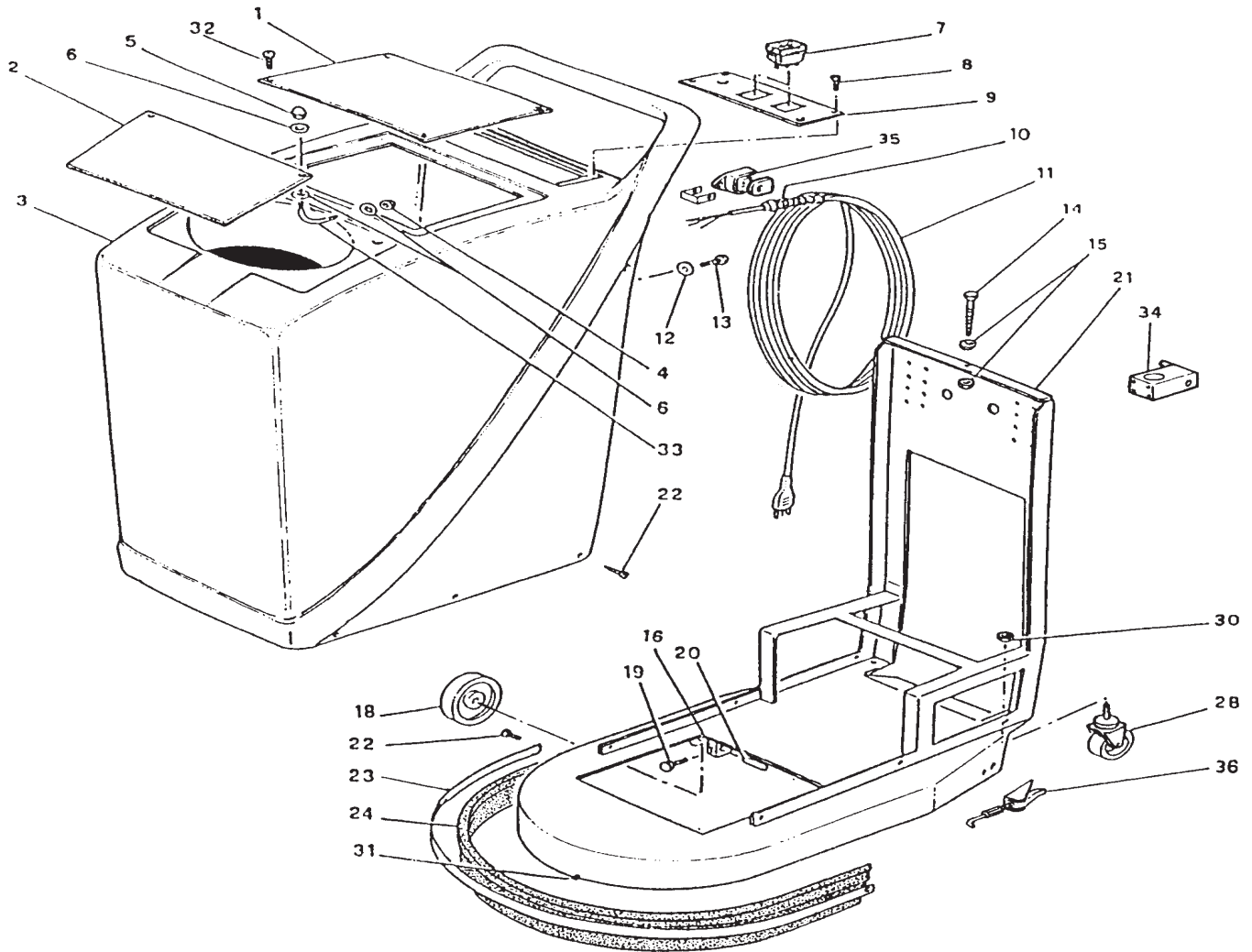
## **PARTS LIST**

### Model PAS16



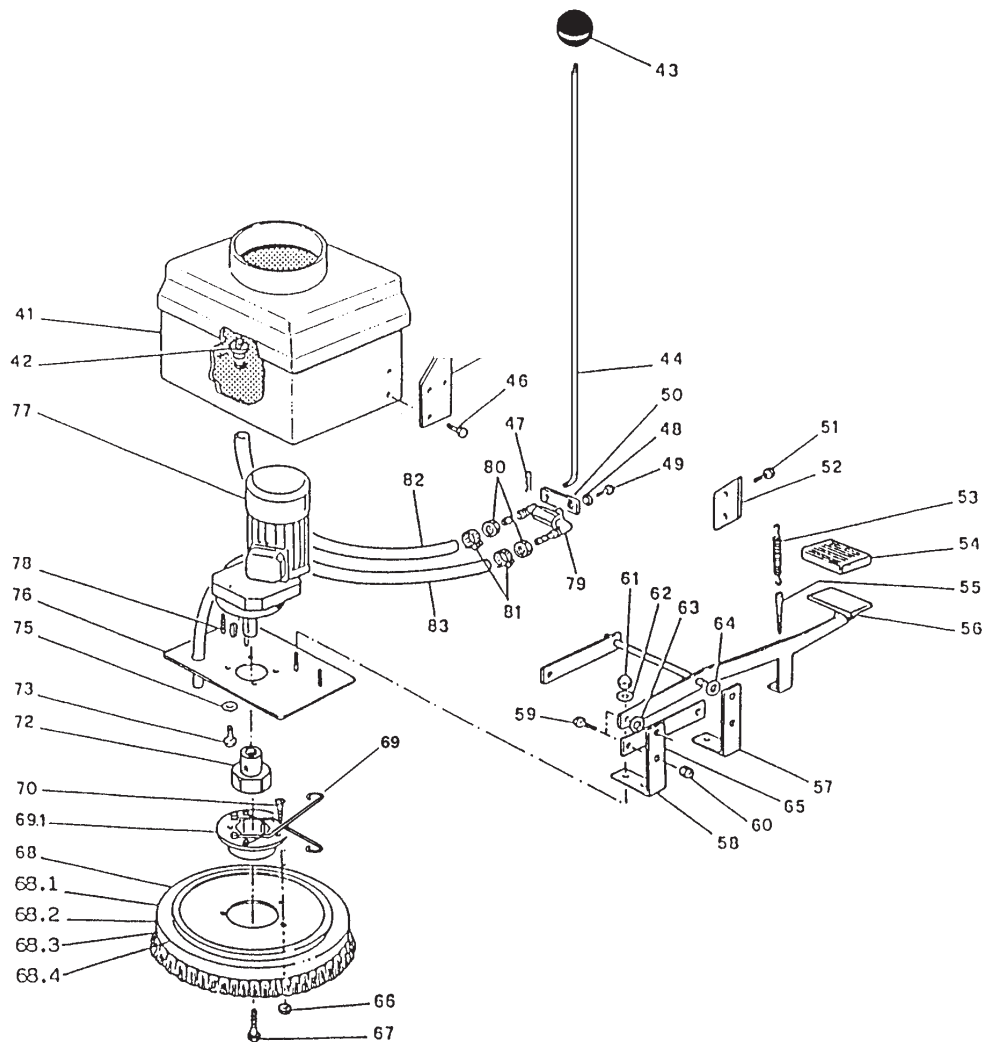
**WARNING: OPERATOR MUST READ AND UNDERSTAND THIS MANUAL COMPLETELY BEFORE OPERATING THIS EQUIPMENT.**

## PARTS LIST



| Pos | Part No. | Description      | Pos | Part No. | Description      | Pos | Part No. | Description        |
|-----|----------|------------------|-----|----------|------------------|-----|----------|--------------------|
| 1   | 410.001  | Cover            | 12  | 500.158  | Washer           | 24  | PAS128   | Bumper             |
| 2   | PAS260   | Cover            | 13  | 410.013  | Screw, Stainless | 25  | PAS18    | Spring Handle      |
| 3   | 410.003  | Housing          | 14  | PAS197   | Screw 6mm        | 26  | PAS32    | Tie Rod            |
| 4   | PAS311   | Cover Nut        | 15  | PAS311   | Cover Nut 6mm    | 28  | PAS127   | Caster             |
| 5   | PAS304   | Nut              | 16  | 410.016  | Support          | 30  | PAS311   | Nut 6mm            |
| 6   | PAS312   | Cover Washer     | 18  | PAS126   | Wheel            | 31  | PAS250   | Housing Brush      |
| 7   | PAS125   | Switch           | 19  | 400.050  | Screw 6mm        | 32  | 410.032  | Screw, Stainless   |
| 8   | PAS153   | Screw, Stainless | 20  | 400.049  | Pin              | 33  | PAS303   | Hinge              |
| 9   | PAS306   | Control Panel    | 21  | 410.021  | Panel            | 34  | 400.146  | Block              |
| 10  | PAS245   | Strain Relief    | 22  | 410.022  | Screw            | 35  | PAS267   | Cable Swivel       |
| 11  | M1400    | 14/3 - 75' Cord  | 23  | PAS211   | Strap            | 36  | PAS122   | Hook & Latch Assy. |

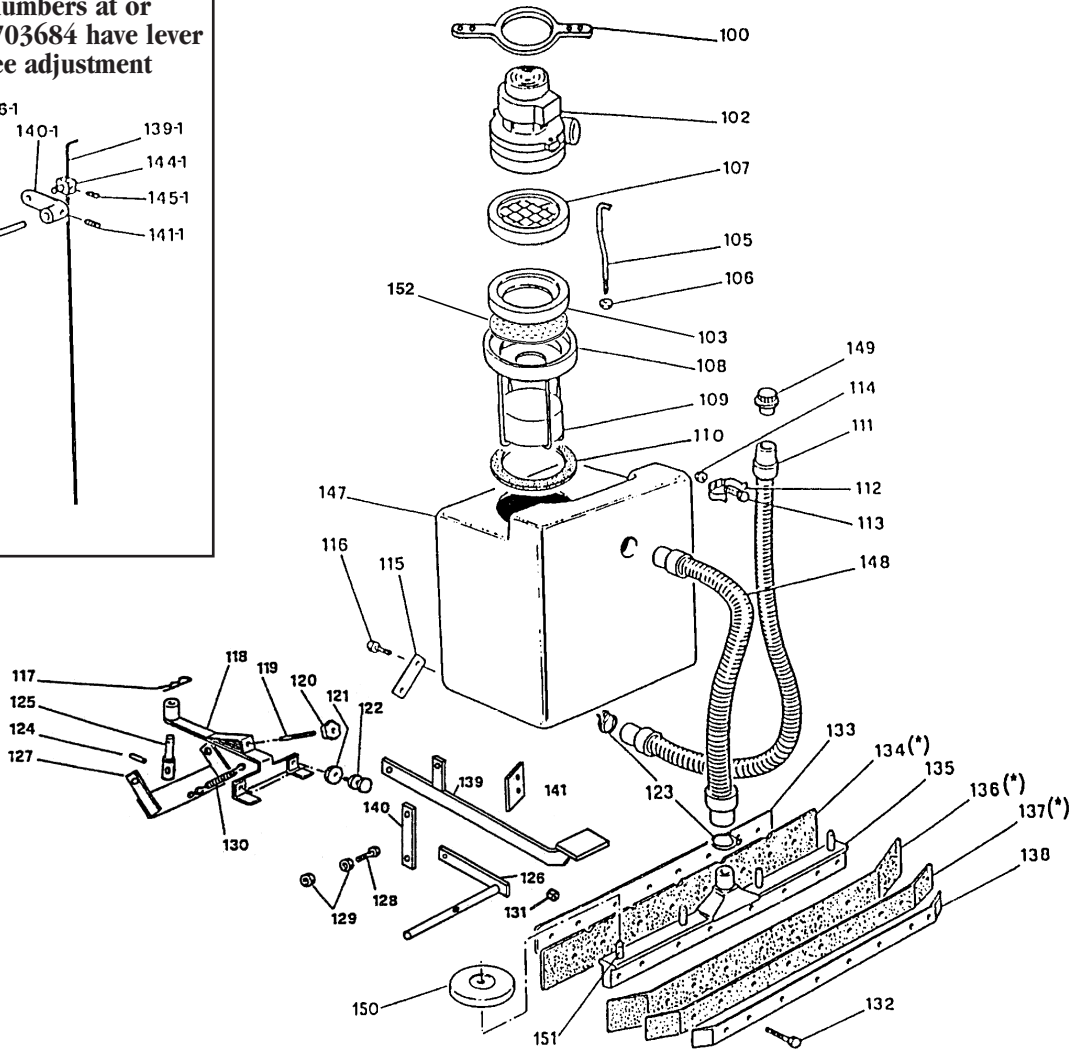
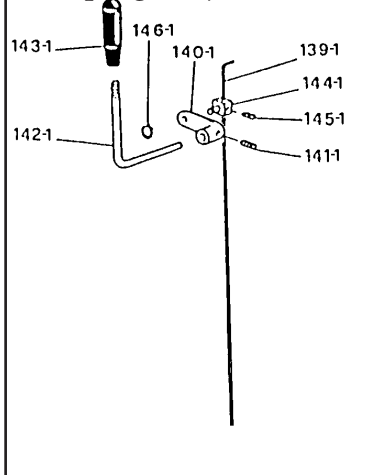
## PARTS LIST



| Pos | Part No. | Description      | Pos  | Part No. | Description         | Pos | Part No. | Description                      |
|-----|----------|------------------|------|----------|---------------------|-----|----------|----------------------------------|
| 41  | PAS314   | Solution Tank    | 58   | 410.058  | Bracket             | 71  | 430.072  | Screw                            |
| 42  | PAS3     | Screen           | 59   | PAS167   | Screw 8mm           | 72  | PAS5     | Coupling Half                    |
| 43  | PAS11    | Knob             | 60   | 430.117  | Nut 8mm             | 73  | 430.072  | Screw                            |
| 44  | 410.044  | Rod              | 61   | 430.117  | Nut 8mm             | 74  | 430.071  | Washer                           |
| 45  | 410.045  | Plate            | 62   | PAS188   | Washer              | 75  | PAS65    | Washer                           |
| 46  | PAS147   | Screw 6mm        | 63   | 410.063  | Washer              | 76  | 410.076  | Plate                            |
| 47  | 500.056  | Split Pin        | 64   | 410.064  | Washer              | 77  | PAS305-2 | Geared Motor 220v                |
| 48  | 500.062  | Washer           | 65   | 410.065  | Support             |     | PAS305   | Geared Motor 110v                |
| 49  | 500.054  | Screw 5/32"      | 66   | PAS311   | Nut 6mm             | 78  | PAS167   | Screw 8mm                        |
| 50  | 500.051  | Lever            | 67   | PAS167   | Screw 8mm           | 79  | 500.048  | Valve                            |
| 51  | 431.065  | Screw 6mm        | 68   | PAS97    | Poly Scrub Brush    | 80  | 400.161  | Nut 3/8"                         |
| 52  | PAS258   | Bracket          | 68.1 | PAS99    | Powr-Nylon Brush    | 81  | PAS42    | Hose Clamp                       |
| 53  | 410.053  | Spring           | 68.2 | PAS131   | Strata Grit Brush   | 82  | PAS288   | Hose                             |
| 54  | PAS14    | Foot Pedal Cover | 68.3 | PAS134   | Powr-Scuff Brush    | 83  | PAS288   | Hose                             |
| 55  | PAS63    | Pin/Tie Rod      | 68.4 | PAS98    | Powr-Scrub II       |     |          |                                  |
| 56  | 410.056  | Lever            | 69.1 | PAS6A    | Support with Spring |     |          | check for #99 bolt look on pas28 |
| 57  | 410.057  | Bracket          | 70   | PAS65    | Screw               |     |          |                                  |

## PARTS LIST

Serial numbers at or below 05-9703684 have lever squeegee adjustment



| Pos | Part No. | Description   | Pos | Part No. | Description         | Pos   | Part No.  | Description    |
|-----|----------|---------------|-----|----------|---------------------|-------|-----------|----------------|
| 100 | PAS15    | Strap         | 121 | PAS33    | Ring-nut            | 139   | 410.139   | Pedal          |
| 102 | 1973     | Vac Motor     | 122 | PAS34    | Adjusting Screw     | 139.1 | PAS129    | Cable          |
| 103 | PAS102   | Gasket Motor  | 123 | PAS191   | Clamp, Hose         | 140   | 410.140.1 | Connecting Rod |
| 105 | PAS198   | Tie Rod       | 124 | 500.157  | Pin                 | 140.1 | 410.140   | Connecting Rod |
| 106 | PAS311   | Nut M6        | 125 | PAS19    | Pin Squeegee Mt.    | 141   | PAS259    | Cross Member   |
| 107 | F909     | Filter/Screen | 126 | 400.129  | Shaft               | 141-1 | PAS313    | Dowel M8       |
| 108 | PAS85    | Float Cage    | 127 | PAS264   | Support             | 142.1 | 410.142   | Lever          |
| 109 | PAS210   | Float         | 128 | PAS936   | Screw               | 143.1 | 400.127   | Knob           |
| 110 | PAS103   | Seal          | 129 | PAS935   | Nut 10mm            | 144.1 | 400.148   | Pivot Block    |
| 111 | PAS37    | Drain Hose    | 130 | PAS31    | Spring              | 145.1 | 430.156   | Dowel          |
| 112 | PAS38    | Hose Clamp    | 131 | PAS304   | Nut 6mm             | 146.1 | 430.159   | Seeger, Clamp  |
| 113 | 430.194  | Washer        | 132 | PAS197   | Washer 6mm          | 147   | PAS26     | Tank           |
| 114 | 430.192  | Nut M4        | 133 | 430.198  | Outer Bar           | 148   | PAS37     | Intake Hose    |
| 115 | 410.115  | Plate         | 134 | PAS 302  | Black Rubber        | 149   | PAS36     | Plug           |
| 116 | PAS147   | Srew          | 135 | PAS300R  | Squeegee Body       | 150   | PAS51     | Wheel, Bumper  |
| 117 | PAS266   | Split Pin     | 136 | PAS 300  | Main Squeegee Blade | 151   | PAS193    | Support Stud   |
| 118 | PAS315   | Bracket       | 137 | PAS240   | Squeegee Complete   | 152   | F940      | Foam Filter    |
| 119 | PAS32    | Tie Rod       | (*) | PAS 124  | Squeegee Blade Set  |       |           |                |
| 120 | PAS35    | Knob M6       | 138 | 430.204  | Outer Bar           |       |           |                |

***Power-Flite***  
**COMMERCIAL FLOOR CARE EQUIPMENT**

*A Tacony Company*

3101 Wichita Court • Ft. Worth, TX 76140-1755