

# Power-Flite®

**COMMERCIAL FLOOR CARE EQUIPMENT**

Model PF1886 - PF1887 Upright Vacuums

## **IRONSIDE**



### **OPERATING INSTRUCTIONS**

#### **CONGRATULATIONS**

YOU HAVE JUST ACQUIRED A HIGH QUALITY VACUUM CLEANER. PLEASE READ THIS MANUAL CAREFULLY, BEFORE OPERATING YOUR NEW VACUUM CLEANER. KEEP MANUAL ON HAND FOR FURTHER REFERENCES.

Save These Instructions

## IMPORTANT SAFETY INSTRUCTIONS

\*WHEN USING AN ELECTRICAL UPRIGHT VACUUM CLEANER, BASIC PRECAUTIONS SHOULD BE FOLLOWED, INCLUDING THE FOLLOWING: \*READ ALL INSTRUCTIONS BEFORE USING VACUUM.

### SAVE THESE INSTRUCTIONS FOR FUTURE REFERENCE

## WARNING

**To reduce risk of fire, electric shock, or injury:**

- Do not use outdoors or on wet surfaces.
- Do not leave vacuum cleaner unattended when plugged in. Turn off the switch and unplug the electrical cord when not in use and before servicing.
- Do not allow to be used as a toy. Close attention is necessary when used by or near children.
- Use only as described in this manual . Use only manufacturer's recommended attachments.
- Do not use with damaged cord or plug. If vacuum cleaner is not working as it should, has been dropped damaged, left outdoors, or dropped into water, return it to a service center before using.
- Do not pull or carry by cord, use cord as a handle, close a door on cord, or pull a cord around sharp edges or corners. Do not run vacuum cleaner over cord. Keep cord away from heated surfaces.
- Do not use extension cords or outlets with inadequate current carrying capacity.
- Turn off all controls before unplugging.
- Do not handle plug or vacuum cleaner with wet hands.
- Do not put any objects into openings. Do not use with any opening blocked, keep free of dust, lint, hair, and anything that may reduce airflow.
- This vacuum cleaner creates suction and contains a revolving brush roll. Keep hair, loose clothing, fingers, and all parts of body away from openings and moving parts.
- Do not pick up anything that is burning or smoking, such as cigarettes, matches or hot ashes. Do not use without dust bag in place. Use extra care when cleaning on stairs. Do not use to pick up flammable or combustible liquids such as gasoline, or use in areas where they may be present.
- Store your cleaner indoors in a cool, dry area.
- Do not unplug by pulling on cord. To unplug, grasp the plug, NOT THE CORD.

THESE MODELS ARE GROUNDED, CONNECT TO A PROPERLY GROUNDED OUTLET ONLY - SEE GROUNDED INSTRUCTIONS.

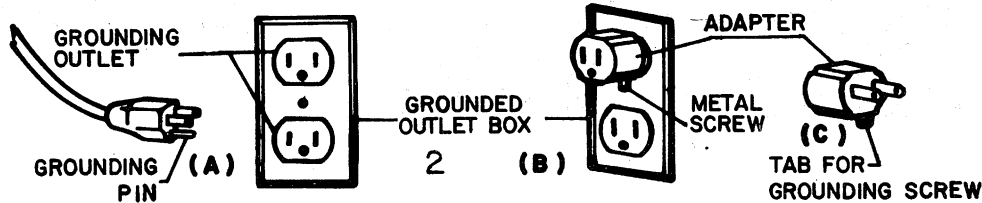
**GROUNDED INSTRUCTIONS**

This appliance must be grounded. If it should malfunction or breakdown, grounding provides a path of least resistance for electric current to reduce the risk of shock. This appliance is equipped with a cord having an equipment-grounding conductor and grounding plug. The plug must be inserted into an appropriate outlet that is properly installed and grounded in accordance with all local codes and ordinances.

**WARNING -** Improper connection of the equipment-grounding conductor can result in a risk of electric shock. Check with a qualified electrician or service person if you are in doubt as to whether the outlet is properly grounded. Do not modify the plug provided with the appliance - if will not fit the outlet, have a proper outlet installed by a qualified electrician.

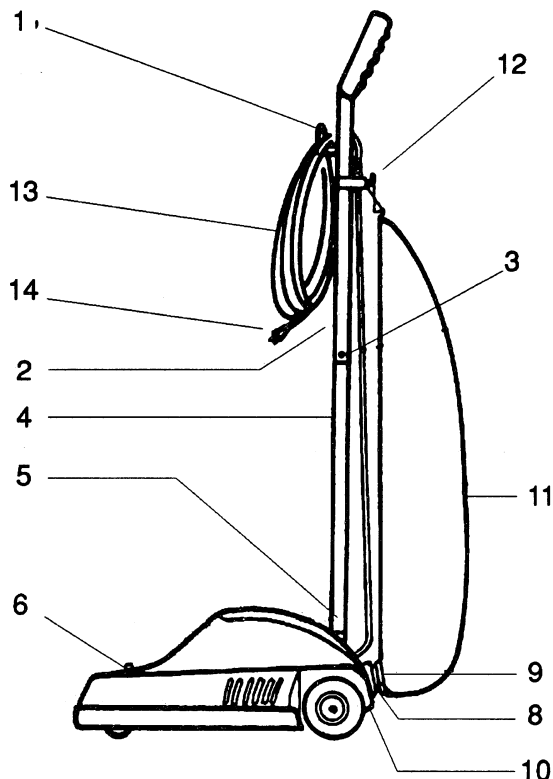
This appliance is for use on a normal 120 volt circuit, and has a grounded plug that looks like the plug illustrated in sketch A. A temporary adapter that looks like the adapter illustrated in fig B and C may be used to connect this plug to a 2-pole receptacle as shown in fig B if a properly grounded outlet (fig A) can be installed by a qualified electrician. The green colored rigid ear, lug, or the like extending from the adapter must be connected to a permanent ground such as a properly grounded outlet box cover. Whenever the adapter is used, it must be held in place by a metal screw.

Note: In Canada, the use of a temporary adapter is not permitted by the Canadian Electrical Code



## GENERAL DIAGRAM

1. Cord hook
2. Upper handle tube
3. Nut & Bolt
4. Lower handle tube
5. Nut & Bolt
6. Height Adjustment
8. Bag inlet
9. Bag support
10. Handle release pedal
11. Bag
12. Spring bag hook
13. 50 foot line cord
14. 3 wire grounded plug.



## HOW TO ASSEMBLE

**CAUTION:** Fully assemble the unit before using.

**Hardware Package:** The package contains two nuts and bolts, one screw and one spring

**Step 1:** Assemble Lower Handle

Attach lower handle over socket, align holes and fasten with bolt and internally threaded nut provided in hardware package

**Step 2:** Attach Upper Handle

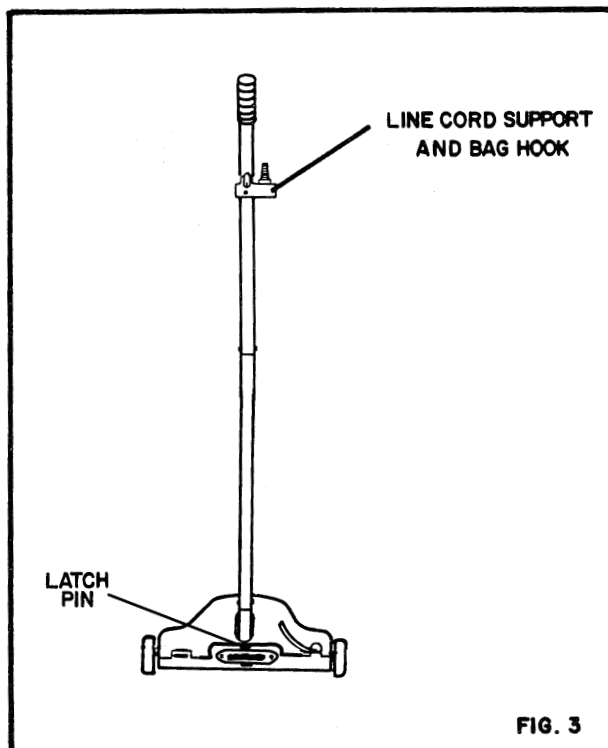
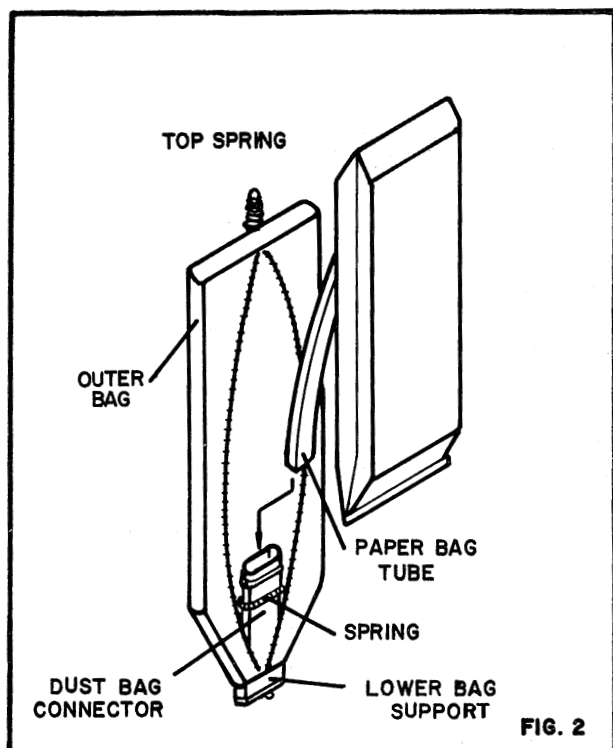
Place upper handle over lower handle align holes and fasten with bolt and internally threaded nut included In hardware package

**Step 3:** Install Line Cord Support and Bag Hook Attach spring bag hook to rear upper handle tube. Insert fitting end into rectangular hole. Align holes and fasten with screw provided in hardware package.

**Step 4:** Bag Assembly (Model PF1886EC - PF1887EC only) Open zipper of outer bag cover Attach spring around dust bag connector located inside paper bag cover ( See Fig 2 ) Slide paper bag tube over connector and roll spring up to hold bag. Be sure zipper printing on paper aligns - up with zipper on paper bag cover.

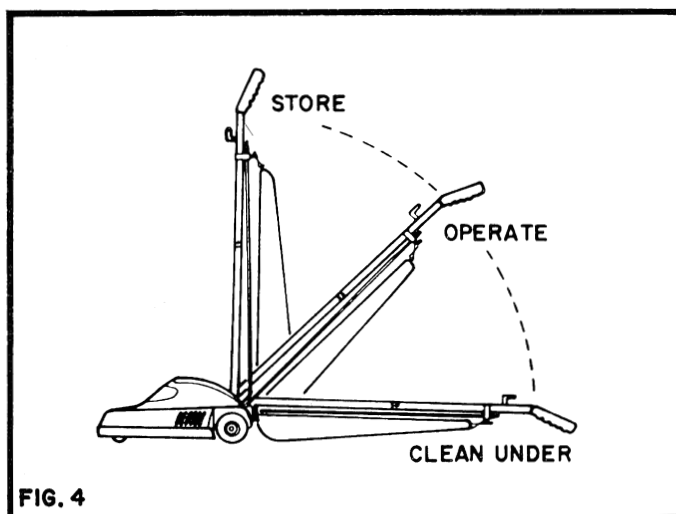
**Step 5:** Install Outer Bag to Upright Vacuum

Hold bag and lower bag support with both hands with the lower bag support tab pointing down. Put the tab into the adapter retainer and push the lower bag support toward the vacuum. Turn the bag latch around the latch pin. ( See Fig 3 )



## HOW TO USE

1. Remove electrical cord from hook and plug into electrical outlet
2. Slide height adjustment to the desired setting
3. Press the handle release pedal and pull the handle to the desired position, the unit will turn on automatically when handle is pulled down. To clean under, press the pedal again and lower the handle
4. Vacuum slowly with forward and backward strokes, covering small areas at a time. The time required to clean the carpet will depend on type of carpet and amount of dirt
5. The unit will turn off automatically when the handle is returned to the vertical position

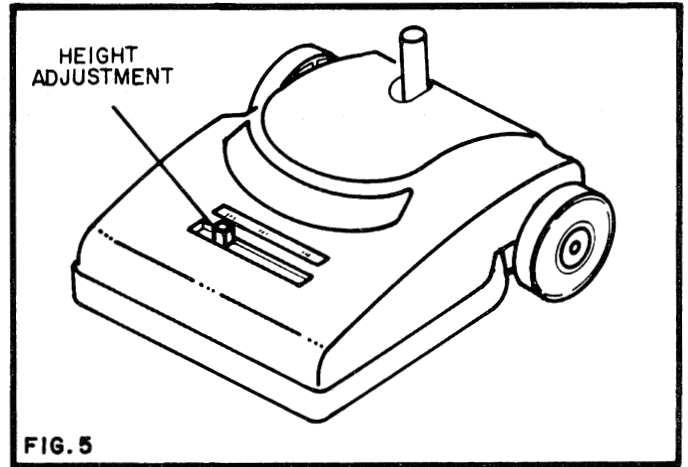


## HEIGHT ADJUSTMENT

The front of the cleaner has a continuous height adjustment which raises or lowers the cleaner base to match the type of carpet. With the cleaner cord unplugged, set the adjustment according to your specific needs ( Fig 5 ).

While the cleaner is off and disconnected from the outlet, tilt the cleaner back to remove weight from the front wheels, and adjust the setting.

Plug the cleaner into electrical outlet, press the handle release, lower handle and pass the cleaner over the carpet. If the cleaner is difficult to push, follow the procedure and test the cleaner at the next height setting until the unit is comfortable to move. The brush roll must make contact with the carpet for effective cleaning.



## HOW TO MAINTAIN

### HOW TO CHANGE DISPOSABLE PAPER BAG: (Model PF1886EC - PF1887EC)

Disconnect unit from electrical outlet before changing bag. Change the dust bag frequently. Some fine particles can restrict airflow very quickly and will decrease performance even before the bag appears to be full. For that reason, when vacuuming carpet fresheners or cleaners, powder, plaster dust. or similar fine substances. the bag may need to be changed more often. ( Bag part number 265PB, 3 PK, 266PB, 9 PK).

1. Unzip the outer bag. Roll spring down to release paper bag tube from dust bag connector
2. Put a new paper bag in the vacuum cleaner Slide paper bag tube over connector and roll spring up to hold bag Be sure zipper printing on paper aligns-up with zipper on paper bag cover. Tuck dust bag into permanent outer bag Make sure dust bag is fully extended in the bag cover, zip the bag cover

**CAUTION:** Be sure to clean impeller chamber every time you change the disposable paper bag. Do not attempt to empty and reuse your paper bag when full.

### HOW TO CLEAN CLOTH VACUCIDE BAG ( Model PF1886VC - PF1887VC)

**Disconnect unit from electrical outlet before cleaning.**

1. Unhook spring from hook
2. Turn knob and release bag support from bag support guide
3. Release bag closing clip from Permanent Bag. Still holding the bag. put the opening in a plastic bag and shake well to empty it
4. Insert bag closing clip to Permanent Bag

5. Hold Permanent Bag on back of unit with printing facing handle tube. Slide lower bag support into slots of bag support guide. Push bag support towards inlet and turn knob to fasten Insert spring onto hook

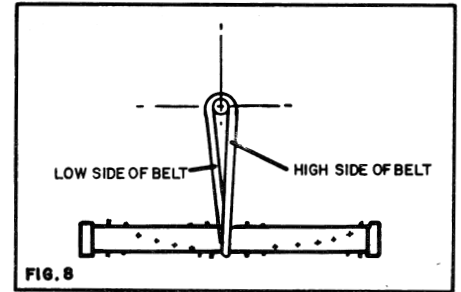
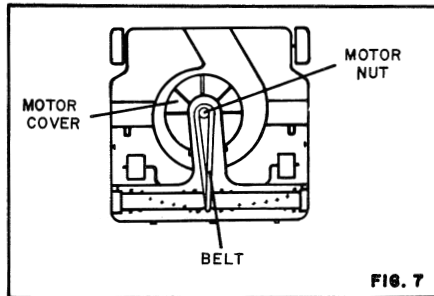
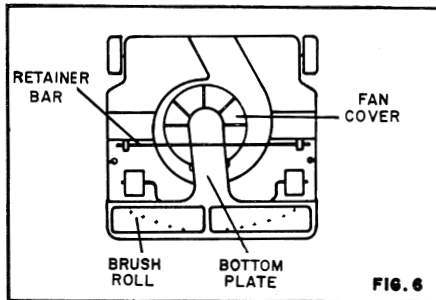
**CAUTION: Be sure to clean fan chamber every time you empty permanent bag.**

## HOW TO REPLACE BRUSH ROLL BELT

**NOTE:** Turn off the switch and unplug the electrical cord before replacing belt. Belt can become hot during normal use. To prevent injury, avoid touching the belt and motor nut when it is hot.

**CAUTION:** Improper installation of the brush roll or brush roll belt could cause carpet cleaner damage.

1. Push handle release and lower handle; push the height setting to the lowest position. Turn the vacuum cleaner so the underneath side and brush roll face toward you (Fig 6)
2. Remove retainer bar by pushing downward on the right end, until it unhooks. Release other end



**CAUTION:** While pushing one end of retainer bar, hold the machine down to avoid tilting.

3. Remove bottom plate and fan cover by lifting off from motor (Fig 7)
4. Remove belt from motor nut. Pull brush roll up, remove belt from brush roll and change with a new belt
5. Insert brush roll making sure the tabs on the edge of bearing support are facing upward. Bristles on brush roll must form a "V" facing toward you
6. Twist the belt towards the right and place around motor nut. The higher end of the belt must be on the right side and the lower end on the left side, as shown in the drawing below (Fig 8). Rotate brush to ensure belt is positioned correctly

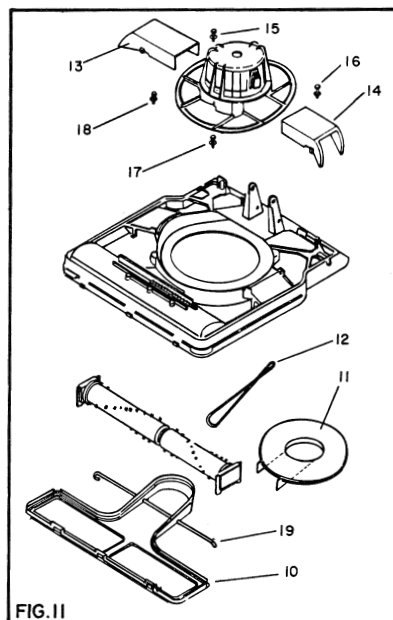
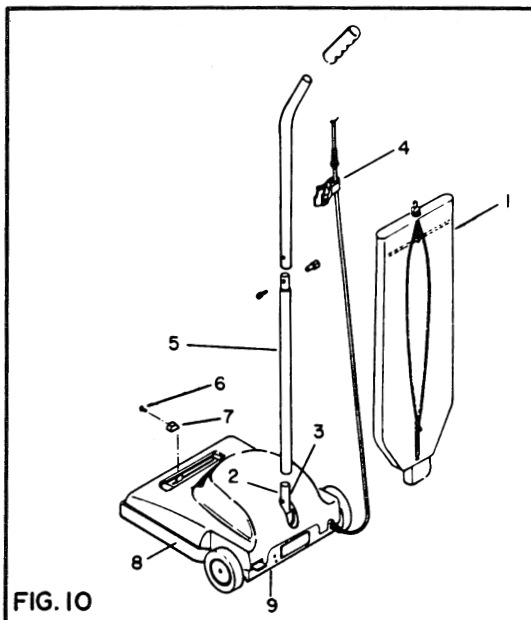
## HOW TO REPLACE MOTOR

**IMPORTANT:** Disconnect machine before replacing motor.

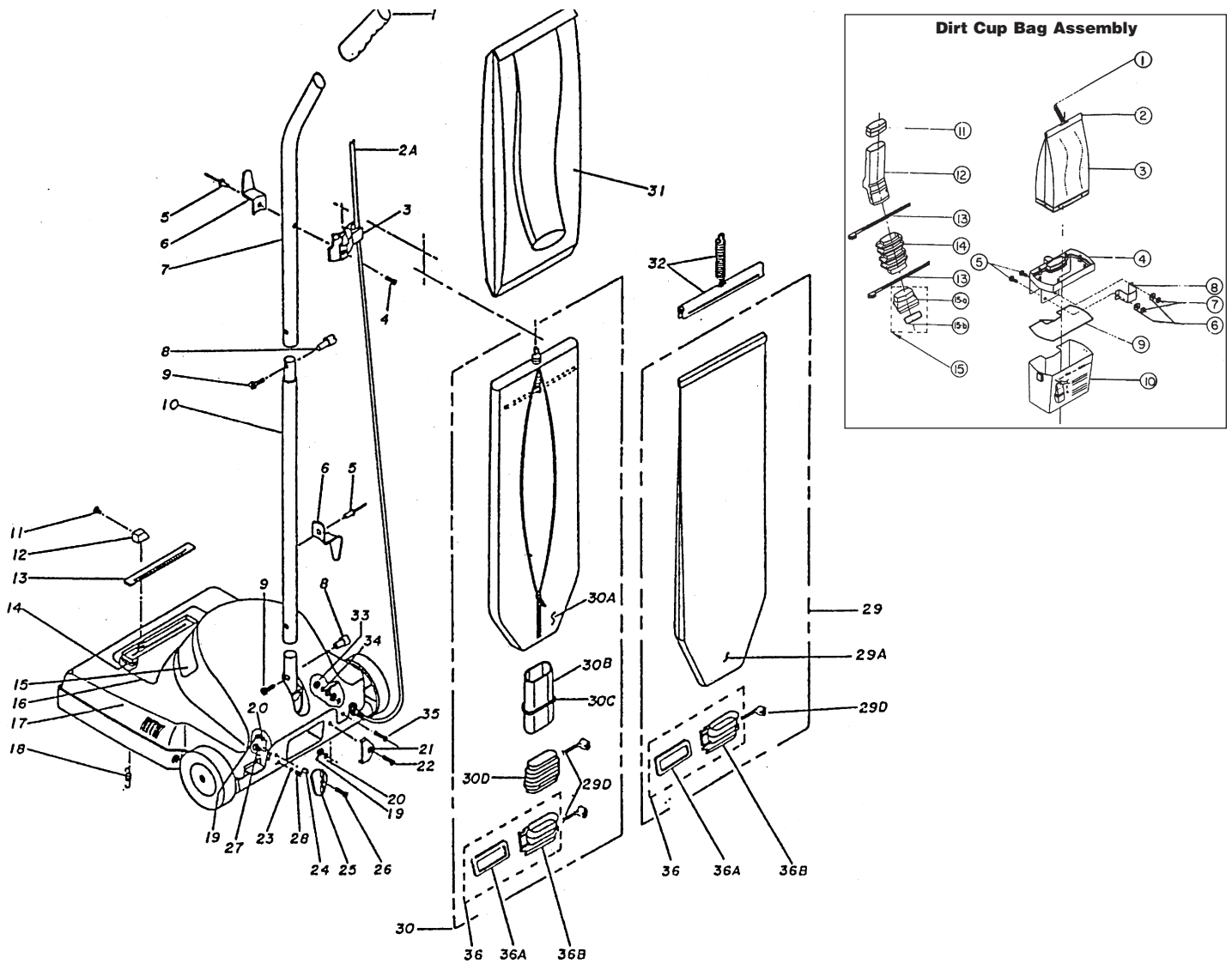
1. Detach bag (1)
2. Remove screw (2) and nut (3) at bottom of handle tube
3. Press the handle release pedal (9) and pull handle down to horizontal position
4. Remove handle tube from socket
5. Remove screw (6)
6. Remove height adjustment knob (7)
7. Turn machine upside down (Fig 10)
8. Remove cover springs (8)
9. Remove retainer bar (19)

10. Remove bottom plate (10)
11. Remove fan cover (11)
12. Remove belt (12)
13. Hold vacuum cleaner from the motor cover and turn to the upright position. Remove motor cover
14. Remove baffles from motor (13, 14)
15. Remove screws (15, 16, 17, 18)
16. Disconnect cord from switch
17. Disconnect connector
18. Remove motor (Fig 11)
19. Install new motor

To assemble machine follow above steps in a reverse order.



# Model PF1886 - PF1887 Internal Parts



ref. #	order #	description
1	MV43	Handle Grip
2A	2A-0455-7	Line Cord Assembly, 2W*
2A	M1377	Line Cord Assembly, 3W
3	MV22	Cord Retainer
4	MV44	Screw Type "A" #8 x 1/2
5	MV45	Pop Rivet 5/32 x 1/4
6	MV19	Cord Hook
7	MV47	Upper Handle
8	MV17	Handle Nut, spacer and screw (old style)
	MV17A	Handle Nut Only (new style)
9	MV16A	Screw Mach #10-32x (new style)
10	MV48	Lower Handle
11	X8238	Screw Type B# 6x3/8
12	MV50	Wheel Height Knob
13	17-2486-3	Label Height Adjustment
14	37-0136-4	Felt
17	MV62	12" Hood
	MV97	16" Hood
	MV105	16" Hood Dirt Cup Model
18	MV07	Hood Spring
19	02-0037-8	Nut #10-32
20	04-0271-9	Star Washer # 10 x .204
21	MV51	Bag Support
22	MV52	Screw # 1 0-32x5/8
23	MV53	Ball
24	MV54	Bag Knob Spacer
25	MV55	Bag Knob
26	MV56	Screw # 10-32 x 3/4
26	MV56	Screw # 10-32 x 3/4

ref. #	order #	description
27	01-0154-3	Screw Type B # 6X5 5/16
28	MV57	Knob Spring
29	G825	Blue Cloth Bag Vacuicide
	G828	Blue TITex Bag
30C	W2390	Garther Spring
30D	MV61	Zipper Bag Hose
31	265PB	Paper Bag 3 pak
32	W2363	Chrome Bag Slide
33	MV82	Hex Nut 8-32
36A	L83	Bag Gasket

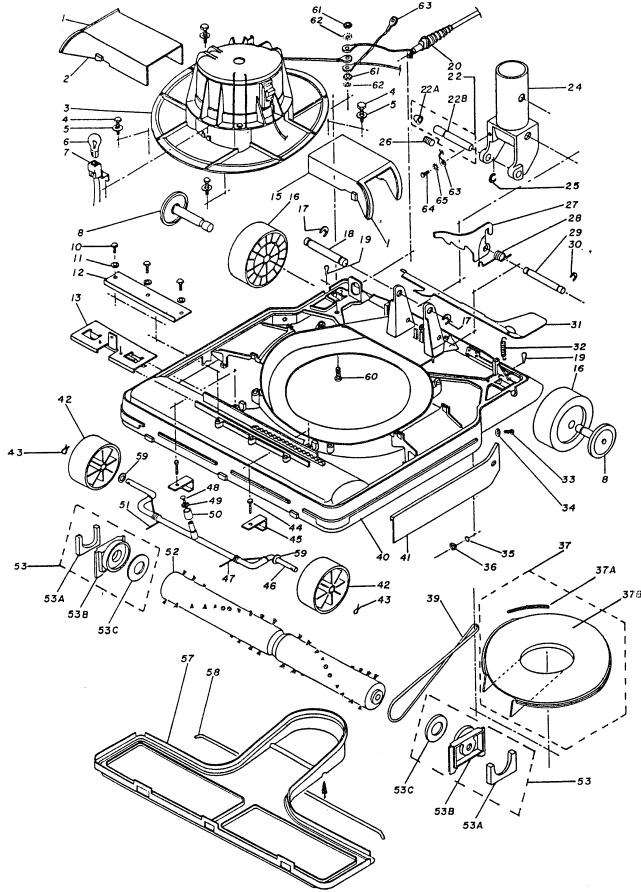
## Dirt Cup Bag Assembly

ref. #	order #	description
1	MV76	Bag spring
2	MV77	Bag clip
3	MV78	Bag
4	MV93	Cup frame with gasket
5	MV80	Screw 8/32 c 3/8
6	MV81	Flat washer
7	MV82	Hex nut 8/32
8	MV83	Clamp
9	MV84	Cup gasket
10	MV85	Cup assembly
11	MV86	Upper hose seal
12	MV87	Exhaust hose
13	MV88	Cable tie
14	MV89	Dust cup bellows
15	MV90	Bag coupling gasket assembly
15A	MV91	Bag coupling
15B	MV92	Bag coupling gasket

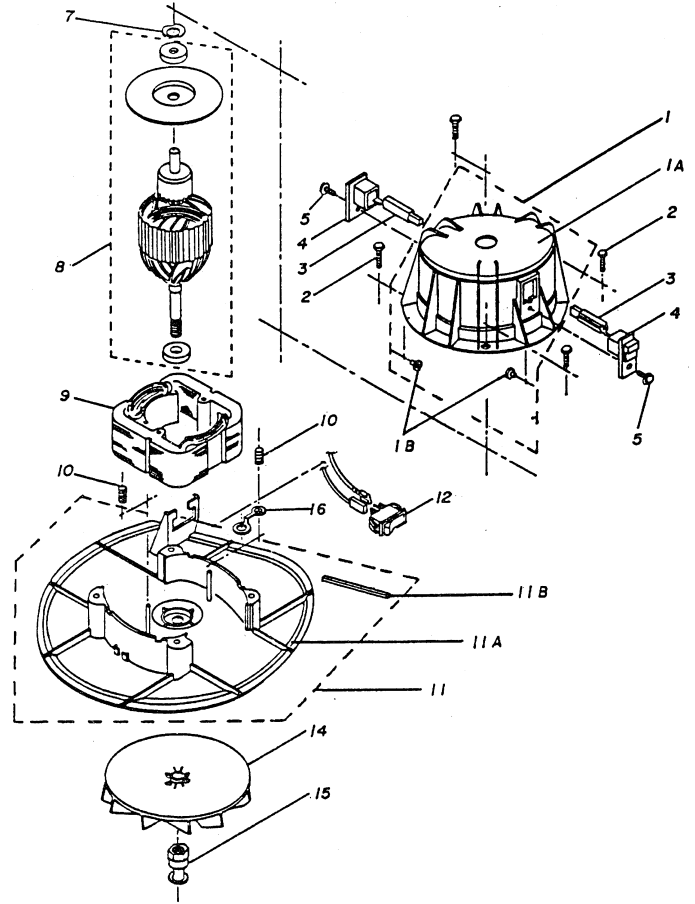
\* call for pricing and availability

# Model PF1886 -PF1887 Internal Parts

## BASE HOUSING



## MOTOR HOUSING



ref. #	order #	description
2	MV70	right air duct
8	MV12	rear axle-hub assembly
15	MV71	left air duct
16	MV06	rear wheel
17	MV30	c-washer 5/16
18	MV31	socket bolt
22	MV46	switch actuator assembly
24	MV20	tube socket
27	MV32	handle cam
28	MV33	cam spring
29	MV34	cam bolt
30	MV30	c-washer 5/16
31	MV36	handle release pedal
32	MV37	spring
37	MV15	fan cover assembly
39	MV05	belt
40	MV41	12" chassis
	MV95	16" chassis
	MV106	12" chassis dirt cup
	MV107	16" chassis dirt cup
41	MV58	12" bumper
	MV96	16" bumper
42	MV38	front wheel
43	MV39	cotter pin
44	MV74	screw
45	MV75	axle detainer
46	MV60	front axle assembly
47	MV65	left front axle spring
48	MV67	rivet
49	MV68	axle washer
50	MV69	axle bushing
51	MV66	right front axle spring

ref#	order	description
52	MV11A	12" brush roll assembly
	MV73	16" brush roll assembly
53	MV13	bearing support assembly
53	MV13A	bearing support assy right side (10/99)
57	MV23	12" bottom plate
	MV94	16" bottom plate
58	MV08	bottom plate retainer

### NOT ILLUSTRATED

	MV40	strain relief
	MV03	motor pack
	MV04	rocker switch large
	MV04A	rocker switch small
	MV07	hood spring
	MV16	handle screw
	MV17	handle nut
	MV19	cord hook
	MV22	cord retainer
	MV24	line cord assembly

### MOTOR HOUSING

1A	MV64	motor cover
3	MV63	carbon brush with spring
4	MV21	brush holder support
8	MV10	armature assembly
9	MV09	field assembly
11	MV27	motor base with gasket
11B	MV49	motor base gasket
14	MV02	fan
15	MV01	belt pulley nut

### ***The Powr-Flite Limited Warranty***

The manufacturer warrants to the original purchaser that products manufactured are free from defects, provided such goods are installed, operated and maintained in accordance with written manuals or other instructions for a period of 1 year from date of purchase on workmanship, motor, and parts, 2 years on fan, switch, and yoke, 5 years on meatal chassis. In case you, as our customer, meet any trouble with your machine, contact a Powr-Flite representative, who will be happy to be of service to you and will take care of any warranty issues.



*A Tacony Company*

Ft. Worth, TX 76140

1-800-880-2913