



Commercial Push-Sweeper

Operator and Parts Manual
Model PS320



SAVE THESE INSTRUCTIONS FOR FUTURE REFERENCE

Read all instructions before using this machine.

IMPORTANT SAFETY INSTRUCTIONS

This manual is to ensure that the PS320 is operated correctly. All operators must read, understand and practice the following safety instructions. Before use, check that the unit and operating equipment are in perfect condition and are safe to operate. Do not use the machine if it is not in perfect condition. This sweeper is intended exclusively for operation on solid, level and dry surfaces with an inclination not exceeding 20%.

CAUTION: Use only as described in this manual.

CAUTION: This sweeper must not be used for removing hazardous materials.

CAUTION: Use only on surfaces indicated in the operating instructions.

CAUTION: Replace damaged or worn parts with genuine original equipment parts in order to maintain safety and to protect your warranty.

CAUTION: Never sweep over surfaces that are wet.

CAUTION: Do not store outdoors.

CAUTION: Keep hair, loose clothing, fingers, and all parts of body away from openings and moving parts.

CAUTION: Do not reach into or under the machine under any circumstances when running.

CAUTION: Use only accessories and spare parts that have been approved by the manufacturer.

CAUTION: Do not spray clean the unit.

The Powr-Flite Limited Warranty

The manufacturer warrants to the original purchaser that products manufactured are free from defects, provided such goods are installed, operated and maintained in accordance with written manuals or other instructions for a period of 1 year from date of purchase on workmanship, motor, and parts.

SAVE THESE INSTRUCTIONS FOR FUTURE REFERENCE

Unpacking and Assembly

1. Remove the PS320 from the box.
2. Put the handle in the upright position by pulling it downwards into the two tappets completely. Tighten with two thumbscrews. (Fig. 1)
3. To install the side brooms, apply light pressure, twisting the brooms upwards on the snap device until you feel them lock into place. (Fig.2)

Operation

1. To adjust the side brooms, move the adjustment knob until the side brooms just touch the floor.
2. Adjust the main brooms so that they touch the floor. Be certain to adjust both sides so that the main brooms touch the floor evenly. (Fig. 3)
3. To adjust the side brooms, turn the knob above the side broom assembly to the left or to the right. (Fig. 4)
4. To use the sweeper, simply push it at a normal walking pace and not too slowly.
5. To empty the hopper, simply lift it out and empty into a trash can.
6. Be sure to store sweeper in the compact upright position. This will prevent broom damage and wear.
7. To park sweeper in folded storage position, loosen the two screwed grips slightly and draw the guide bar down. The handle can now be folded down over the top of the sweeper. Park in upended position with wheels toward the wall. (Fig. 5-6)

Maintenance

1. The PS320 is designed to be maintenance free. All bearings are dust proof and all parts are weatherproof. To clean the machine just wipe off with a dry or damp cloth. It is not recommended to clean the machine with large amounts of water.

Main Broom Replacement

1. The main brooms are designed according to the tandem roller principle so that only one of the two brooms is in contact with the surface area and thus exposed to wear and tear. The front broom within the machine will keep its original size and can be used as replacement broom for the rear broom.
2. To replace the either main broom, tilt the machine upside down on a suitable support.
3. Unscrew the two height-adjustment hand grips and remove them. (see Fig. #7)
4. Withdraw the two bearings, roller and driving pieces at the side and place them on the new main broom, making sure to use the right driving piece for the right side of the main broom and the left on the left. The two driving pieces are not interchangeable.
5. Replace the main broom and adjust to the required working height on both sides.

Side Broom Replacement

1. To replace the side broom, tilt the machine upside down on a suitable support.
2. Use two fingers to press the snap pin in the center of the side broom assembly. The center axle does not need to be unscrewed – no tools are required to replace the side brooms. (see Fig. #8)
3. Remove the side broom from the side broom assembly and exchange it.

Fig.1



Fig. 2



Fig. 3



Fig. 4



Fig. 5



Fig. 6



Fig. 7

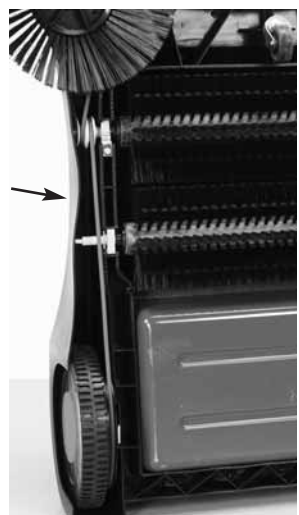
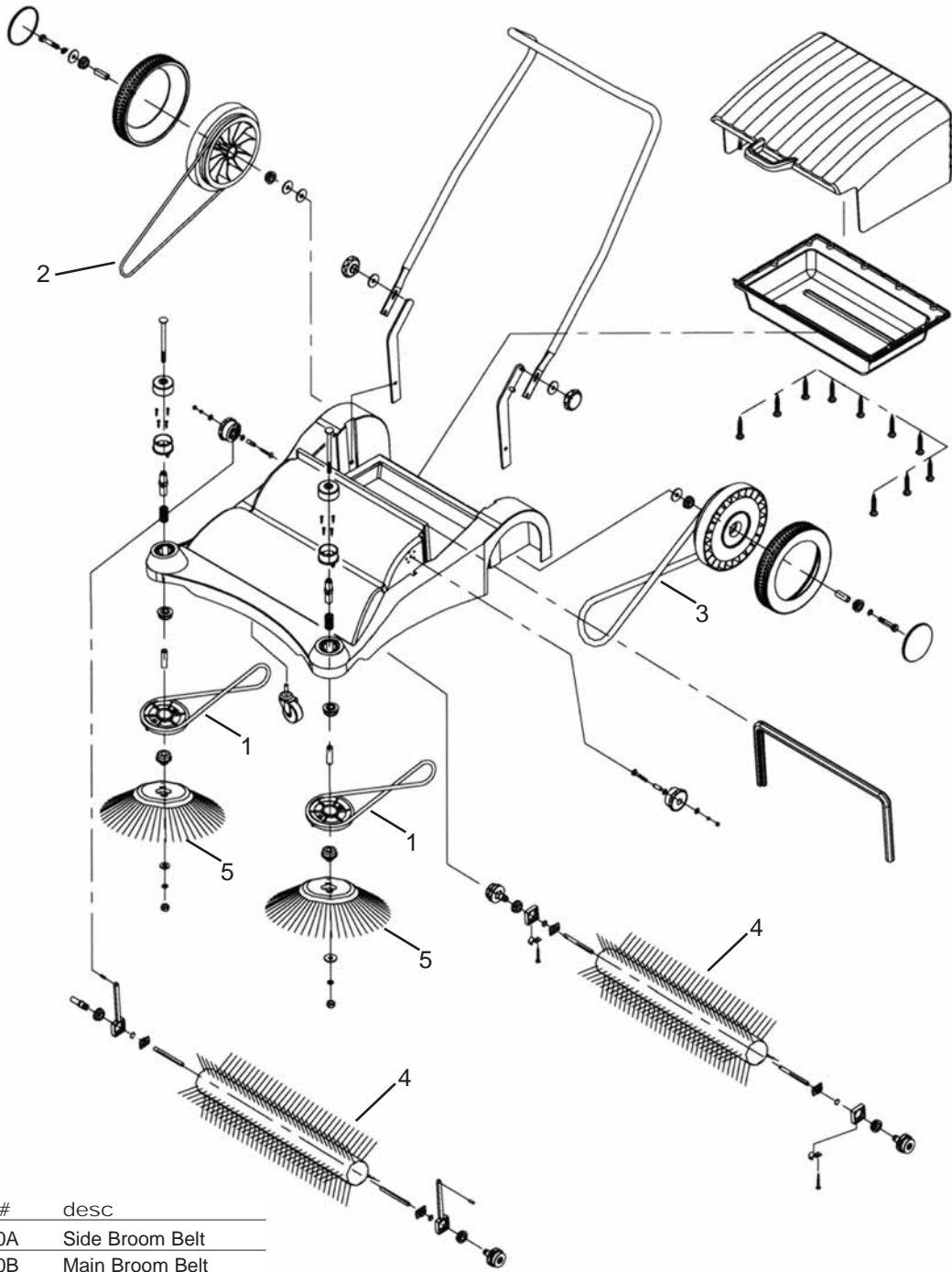


Fig. 8



Replacement Parts



ref#	part #	desc
1	PS320A	Side Broom Belt
2	PS320B	Main Broom Belt
3	PS320C	Drive Belt
4	PS320D	Main Broom
5	PS320E	Side Broom

Powr-Flite
COMMERCIAL FLOOR CARE EQUIPMENT

A Tacony Company
 3101 Wichita Court
 Ft. Worth, TX 76140-1755