

# Commercial Sweeper

## OPERATORS MANUAL AND PARTS LIST

### Model PS200



Read all instructions before using this machine.

#### IMPORTANT SAFETY INSTRUCTIONS

This manual is to ensure that the PS200 is operated correctly. All operators must read, understand and practice the following safety instructions.

Before use, check that the unit and operating equipment are in perfect condition and are safe to operate. Do not use the machine if it is not in perfect condition. This sweeper is intended exclusively for operation on solid, level and dry surfaces with an inclination not exceeding 2%.

**CAUTION:** Use only as described in this manual.

**CAUTION:** This sweeper must not be used for removing hazardous materials.

**CAUTION:** Use only on surfaces indicated in the operating instructions.

**CAUTION:** Replace damaged or worn parts with genuine original equipment parts in order to maintain safety and to protect your warranty.

**CAUTION:** Never sweep over surfaces that are wet.

**CAUTION:** Do not store outdoors.

**CAUTION:** Keep hair, loose clothing, fingers, and all parts of body away from openings and moving parts.

**CAUTION:** Do not reach into or under the machine under any circumstances when running.

**CAUTION:** Use only accessories and spare parts that have been approved by the manufacturer.

**CAUTION:** Do not spray clean the unit.

**CAUTION:** Repairs may only be carried out by authorized customer service centers.

# SAVE THESE INSTRUCTIONS FOR FUTURE REFERENCE

## Unpacking and Assembly

1. Remove the PS200 from the box.
2. Put the handle in the upright position by pulling it downwards into the two tappets completely. Tighten with two thumbscrews. (see Fig. #1)
3. To install the side brushes, apply light pressure, twisting the brushes upwards on the snap device until you feel them lock into place. (see Fig #2)

## Starting Up/Operating

1. To adjust the side brushes, move the adjustment knob until the brushes just touch the floor.
2. To adjust the main roller, for wear or use on uneven floors, locate the snap-in-pin (on the side of the machine), lift it slightly and move it into the desired location. Moving the bar downward lowers the roller position. (see Fig. #3)
3. To adjust the side brushes, turn the turning handle above the brush to the left or to the right. (see Fig. #4)
4. To use the sweeper, simply push it at a normal walking speed and not too slowly. The capacity depends on the working speed and the number of revolutions of the sweeping roller. You can speed up or slow down to accommodate the area to be swept.
5. The sweeper design incorporates a mechanism to lift the side brushes and main roller with backward movements to avoid unnecessary formation of dust. The brushes are all automatically lowered to the pre-selected working position when the sweeper is moved in a forward motion.
6. To empty the dustbin, simply lift it out and empty it. It is easiest to empty the dirt collector over the side edge. (see Fig. #5)
7. Lift the side brushes after use to protect the bristles and maintain excellent cleaning capacity. (see Fig. #4)
8. To park the sweeper in the folded for storage position, loosen the two screwed grips slightly and draw the guide bar down. The handle can now be folded down either to the front or to the rear. Park in a upend position with the wheels towards the wall, or hang up. (see Fig. #6)

## Maintenance

1. The PS200 is designed to be maintenance free. All bearings are dust proof and all parts are weatherproof. To clean the machine just wipe off with a dry or damp cloth. It is not recommended to clean the machine with a pressure washer.

## Roller Replacement

1. The brush rollers are designed according to the tandem roller principle so that only one of the two brush rollers is in contact with the surface area and thus exposed to wear and tear. The front roller rush within the machine will keep it's original size and can be used as replacement brush for the rear roller.
2. To replace the roller, tilt the machine upside down on a suitable support.
3. Unscrew the two height-adjustment hand grips and remove them. (see Fig. #7)
4. Withdraw the two bearings, roller and driving pieces at the side and place them on the new roller, making sure to use the right driving piece for the right side of the roller and the left on the left. The two driving pieces are not interchangeable.
5. Replace the roller and adjust to the required working height on both sides.

## Side Broom Replacement

1. To replace the roller, tilt the machine upside down on a suitable support.
2. Use two fingers to press the snap pin in the center of the brush. The center axle does not need to be unscrewed – no tools are required to replace the side brushes. (see Fig. #8)
3. Withdraw the bristle part from the side brush and exchange it.

Fig. 1

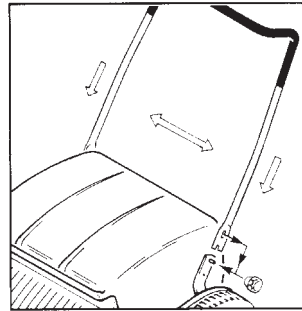


Fig. 2

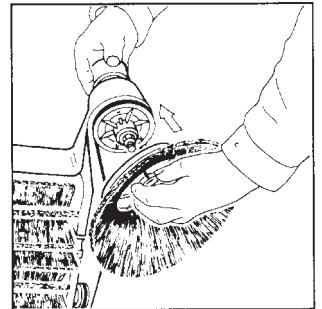


Fig. 3

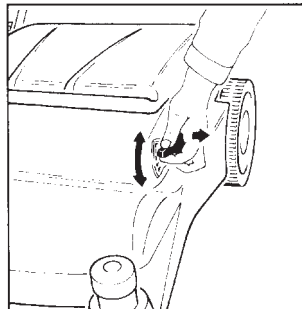


Fig. 4

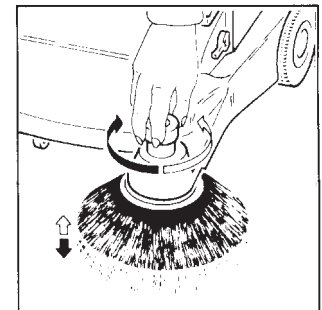


Fig. 5



Fig. 6

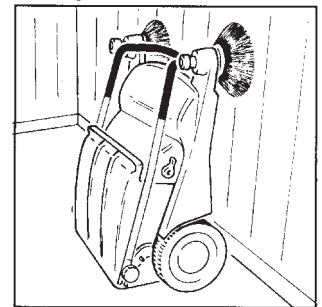


Fig. 7

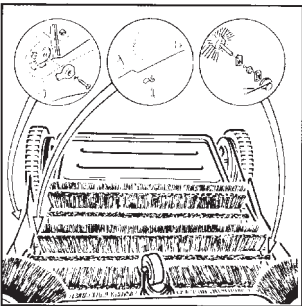
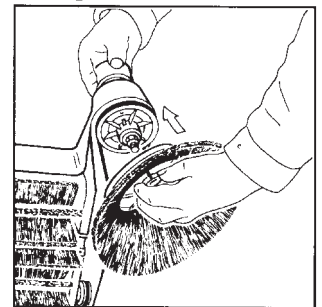
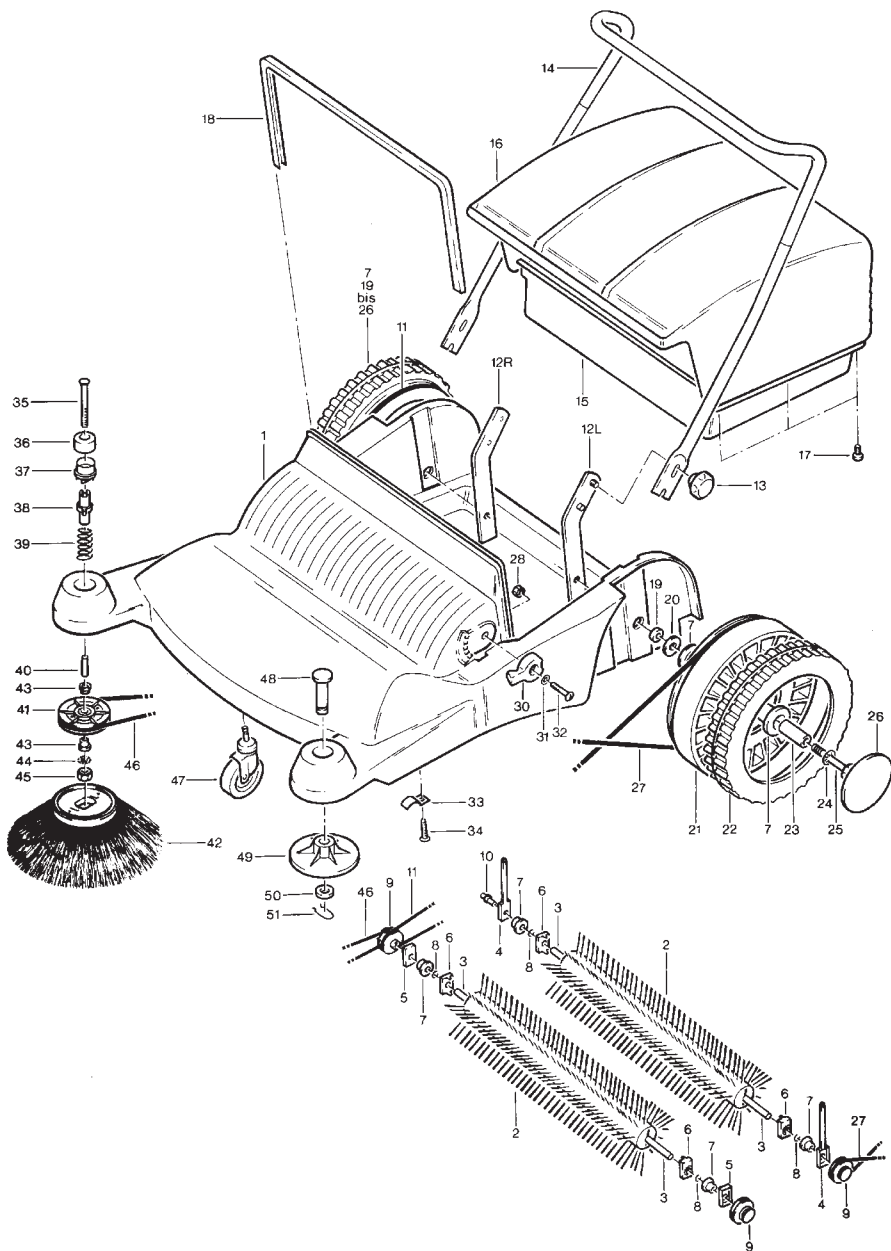


Fig. 8





ref#	part #	desc
1	PS201	Frame
2	PS202	Cylindrical Brush
3	PS203	Axle
4	PS204	Back bush bearing
5	PS205	Front bush bearing
6	PS206	Driving plate
7	PS207	Ball bearing
8	PS208	Locking washer
9	PS209	Pulley
10	PS210	Bush bearing
11	PS211	Round belt right side
12L		Left attachment for steering handle
12R		Right attachment for steering handle
13	PS212	Ficing handle with nut
14		Steering handle
15		Sdust collector, lower part
16		Dust collector, upper part
17		Self tapping crew
18	PS214	Profiled gasket
20	PS215	Washer
21	PS216	Wheel
22	PS217	Profile rubber
23	PS218	Spacer
24	PS219	Serrated lock wsher
25	PS220	Hexagonal screw
26	PS221	Hub cap

ref#	part #	desc
27	PS222	Round belt, lhs.
28	PS223	Self-locking, hexagonal nut
30	PS224	Vertical adjustment handle
31	PS225	Corrugated washer
32	PS226	Coach bolt (square neched)
33	PS227	Clip
34	PS228	Self-tapping screw
35	PS229	Mushroom head bolt (square neched)
36	PS230	Adjustment handle
37	PS231	Notched socket
38	PS232	Adjustment part
39	PS233	Pessure spring
40	PS234	Spacer
41	PS235	Side brush drive pulley
42	PS236	Side brush
43	PS237	Ball bearing
44		Serrated lock washer
45		Self locking hexagonal nut
46	PS238	Side brush round belt
47	PS239	Caster
48		Retaining pin
49		Blanking plate
50		Washer
51		Spring-clip
52		Self tapping screw

***Power-Flite***<sup>®</sup>  
**COMMERCIAL FLOOR CARE EQUIPMENT**

*A Tacony Company*  
3101 Wichita Court  
Ft. Worth, TX 76140-1755  
1-800-880-2913