



Flood Pump System

OPERATORS MANUAL AND PARTS LIST

Model PF85 and PF85DX



Shown With Optional Wand



READ ALL INSTRUCTIONS BEFORE OPERATING

WARNING: OPERATOR MUST READ AND UNDERSTAND THIS MANUAL COMPLETELY BEFORE OPERATING THIS EQUIPMENT.

IMPORTANT SAFETY PRECAUTIONS

WARNING! To reduce the risk of fire, electric shock, or injury

WARNING
To avoid fire, DO NOT use with a flammable or combustible liquid to clean floor.



WARNING
To avoid electric shock, DO NOT expose to rain. Store Indoors.

When using this floor pump, basic precautions should always be followed, including the following:

- 1) **DO NOT** leave unit when plugged in. Unplug from outlet when not in use and before servicing.
- 2) Close attention is necessary when used around or near children.
- 3) Use only as described in this manual. Use only manufacturer's recommended attachments.
- 4) **DO NOT** use with damaged cord or plug. If unit is not working properly because it has been dropped, dropped into water, left outdoors, or damaged in any way, contact a service center of Powr-Flite.
- 5) **DO NOT** handle plug or appliance with wet hands.
- 6) **DO NOT** pick up anything that is smoking or burning such as cigarettes, matches, or hot ashes.
- 7) **DO NOT** use to pick up hazardous chemicals.
- 8) Turn off all controls before unplugging.
- 9) **DO NOT** use to pick up flammable or combustible liquids such as gasoline or use in areas where they may be present.
- 10) **DO NOT** use where oxygen or anesthetics are used.
- 11) Replace damaged or worn parts immediately with genuine original equipment parts to maintain safety.
- 12) This unit must be connected to a properly grounded outlet only.
- 13) If foam or liquid leaks from appliance, switch off immediately.

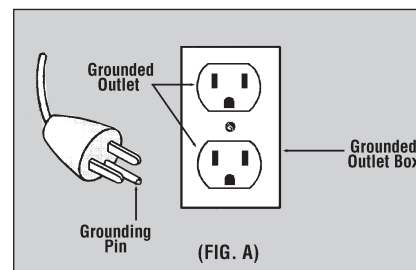
Save These Instructions

GROUNDING INSTRUCTIONS

DANGER: Improper use of the grounding plug can result in a risk of electric shock.

This flood pump must be properly grounded. If it should malfunction or breakdown, grounding provides a path of least resistance for electrical current to reduce the risk of electric shock. This machine is equipped with a pigtail cord having an equipment-grounding conductor and grounding plug. The pigtail must be inserted into an appropriate 12 gauge 3 prong extension cord.

GROUNDING METHODS



This unit is for use on a nominal 120 volt circuit and has a grounded plug that looks like the plug illustrated in (Fig. A).

WARNING!

Improper connection of the equipment-grounding conductor can result in a risk of electric shock. Check with a qualified electrician or service person if you are in doubt as to whether the outlet is properly grounded. **DO NOT** modify the plug provided with the appliance. If it will not fit the outlet, have a proper outlet installed by a qualified electrician.

Flood Pump System

GENERAL INSTRUCTIONS

INSPECTION:

Carefully unpack and inspect the PF85DX for shipping damage. Each machine is tested and inspected before shipment. Any damage incurred during shipping is the responsibility of the carrier, who should be notified immediately.

OPERATION

Prior to each job, inspect the recovery tank inlet filter. The filter should be thoroughly cleaned after each use. Do not operate the machine without the filter in place, damage to the vacuum motor and pump can occur.

1. Unscrew the discharge connector on the front of the machine. Connect a standard garden hose to the discharge connector. Place the opposite end of the hose outside or to a drain that will handle large volumes of water.



CAUTION: Check hose connection regularly to make sure it is securely fastened. The pump discharges water at high pressure. If the hose should come loose, water in the hose will continue to flow until the suction is decreased.

2. Attach a wand or hand tool to the intake hose.
3. Connect an extension cord to the pig tail on the back of the machine and plug into a grounded circuit.
4. Turn the ON/OFF switch on the vacuum motors and pump to the on position. Do not turn the vacuum motors on with the hose submerged in water. The vacuum motor must have air-flow for proper use.

CAUTION: Never turn the pump on before uncapping the discharge fitting and connecting the hose. Failure to do so may result in internal plumbing leaks and could damage components. Do not let the pump run dry for long periods of time.



DO NOT OPERATE MACHINE UNTIL YOU HAVE READ THIS SECTION.

IMPROPER USE OF THE FLOOD PUMP WILL VOID THE WARRANTY

1. Never operate the pump without first removing the cap on the pump-out fitting and connecting the dump hose.
2. Keep filter clean. Do not operate machine if filters are clogged.
3. All extension cords must be at least 12 gauge, three wire and no longer than 50 ft.
4. Always use a defoamer when excessive foaming occurs to prevent damage to vacuum motors.
5. Keep the machine, tools, and hoses from extremes in temperature. Do not allow the machine, tools or hoses to freeze.

Flood Pump System

5. Begin vacuuming the water. The pump will automatically discharge water when the water level reaches the proper height in the recovery tank. If the water level falls too low. The pump will automatically shut off to prevent itself from running dry.

CAUTION: Check the recovery tank for excessive foam while operating. Foam could result in motor damage.

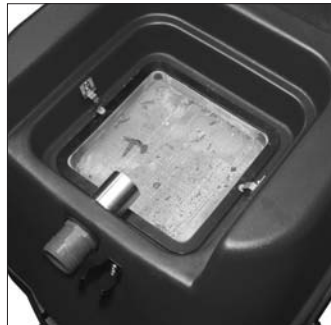
6. When the recovery tank is full, the float system will shut off power to the vacuum motor and prevent water from entering the motor. The float may not work properly if it is extremely dirty or if there is excessive foam in the tank. Once the tank is sufficiently emptied, the vacuum will automatically come back on.

MAINTENANCE

To keep the machine in good working condition, maintenance procedures should be followed after each use.

CAUTION: When servicing machine turn the power off and unplug the machine from the wall outlet.

1. Drain and flush the recovery tank, intake hoses, and any wand or hand tool used with clean water. Make sure the discharge connector is closed.



2. Thoroughly clean the inlet basket filter.

3. Inspect power cords for damage. Replace damaged cords and plugs immediately. Do not use the machine with a damaged cord or plug.

4. Inspect vacuum hoses for holes and loose cuffs.

5. Clean machine housing with an all purpose cleaner and damp cloth.

6. Inspect the machine for leaks and loose hardware.

7. Lubricate wheels and casters with oil or grease .

STORING

1. Machine should be completely empty and dry before storing.

2. Store machine in a dry area in the upright position.

3. Open recovery tank cover to promote air circulation.

CAUTION: Do not expose to rain or freezing temperatures, store indoors.



TROUBLESHOOTING

PROBLEM

Poor pick up.

CAUSE

Inlet basket filter is clogged.
Loose drain hose connection.
Loose recovery tank lid.
Damaged hose.

SOLUTION

Clean filter.
Tighten drain hose.
Position the lid correctly.
Replace hose.

Vacuum motor does not operate.

Unplugged cord.
Faulty switch or loose wiring.
Tripped building circuit breaker.
Defective vacuum motor.

Check connection to pigtail and wall
Contact Service Center.
Reset breaker.
Contact Service Center.

Discharge pump does not operate.

Unplugged cord.
Faulty pump switch.
Tripped building circuit breaker.
Defective pump motor.

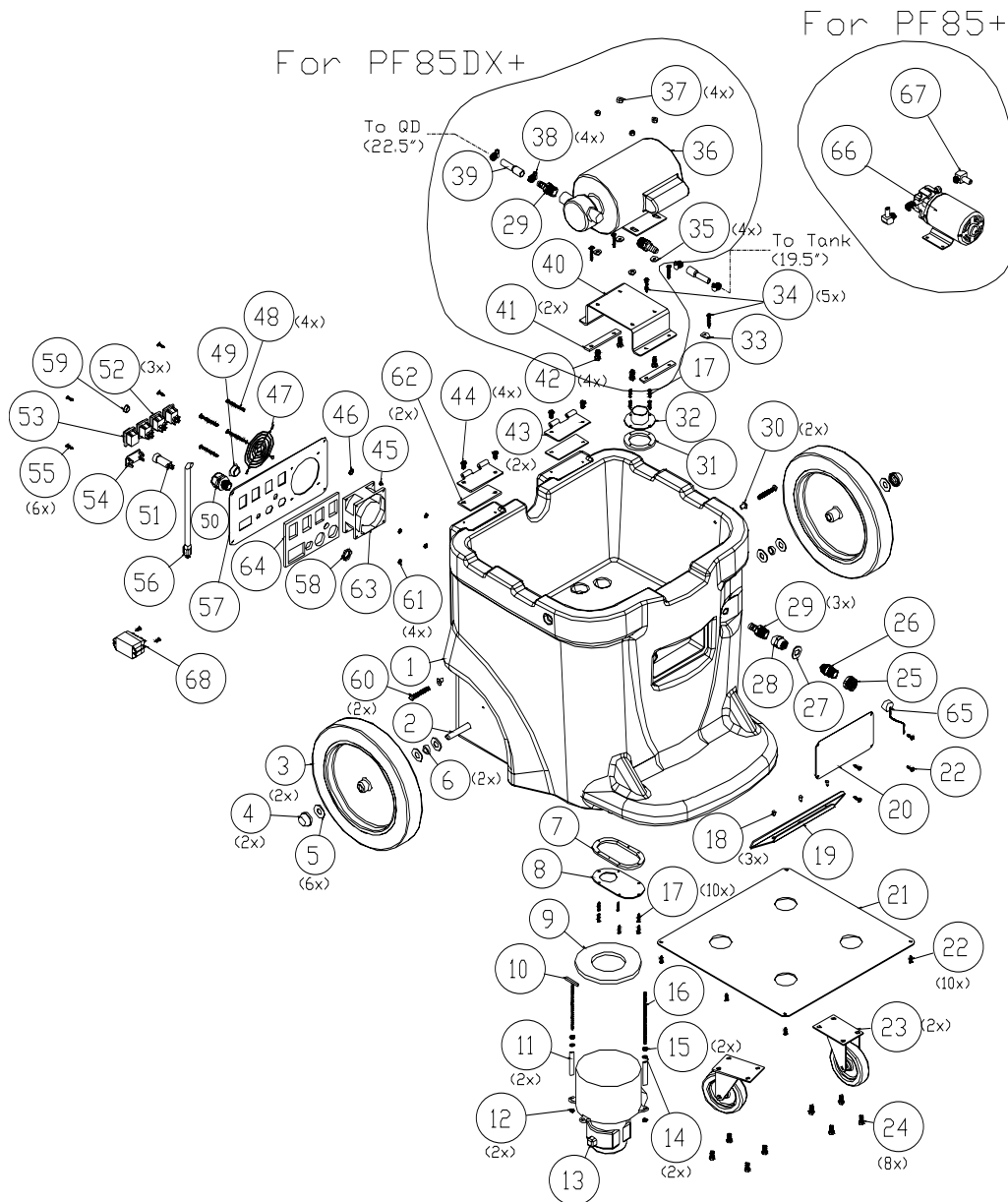
Check connection to pigtail and wall
Contact Service Center.
Reset breaker.
Contact Service Center.

Amount of discharge water dwindles.

Worn impeller.

Contact Service Center.

Flood Pump System

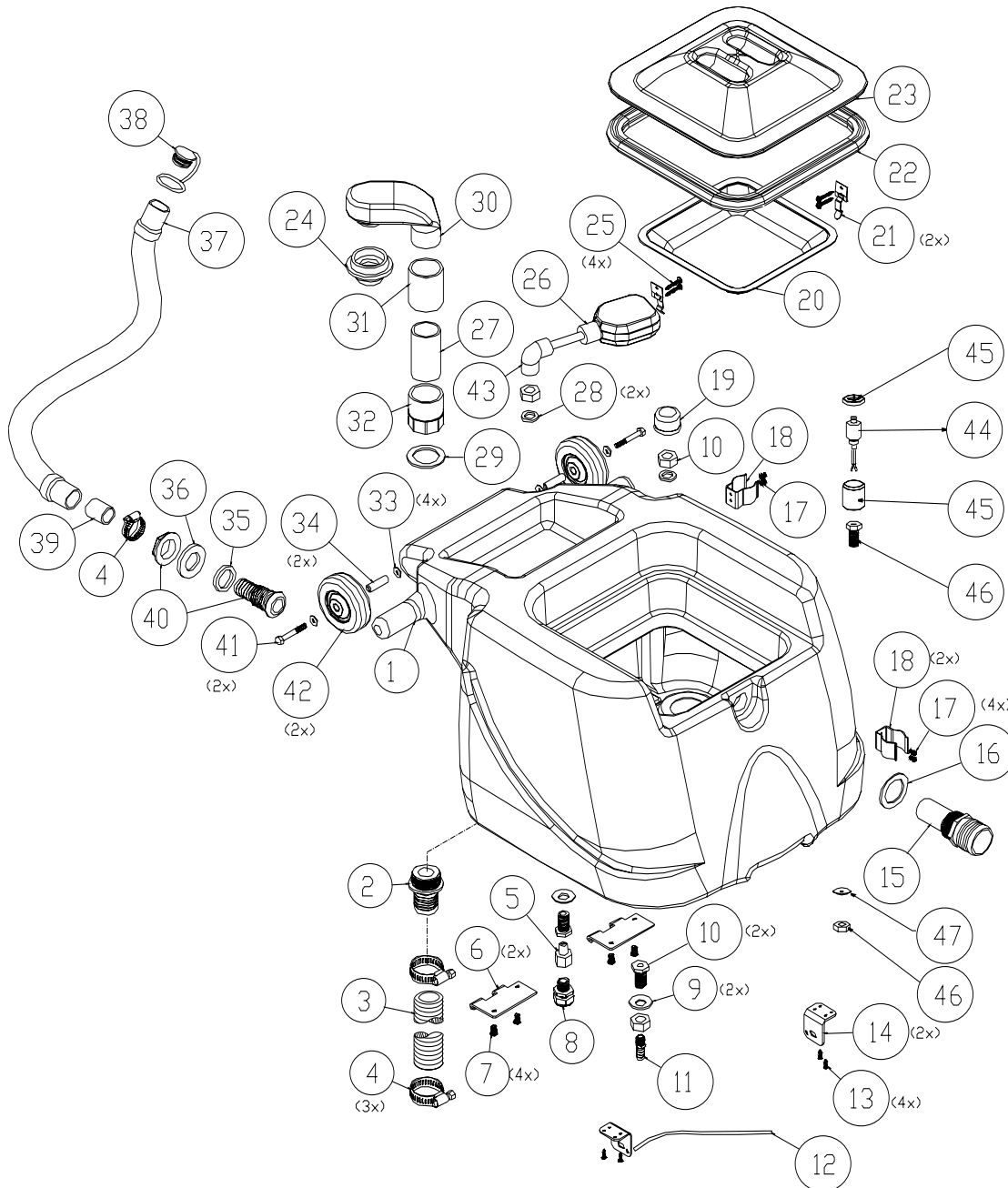


| ITEM | PART # | DESCRIPTION |
|------|--------|-------------------------------|
| 01 | 72620A | Base |
| 02 | 72633A | Axle, 23.375" Long |
| 03 | X9066 | Wheel, 12" x 1.75" |
| 04 | 7GL002 | Push Nut, 1/ 2" |
| 05 | 7CM007 | Washer, 1/ 2 USS Flat |
| 06 | 72635A | Spacer, 1/ 2" ID x 3/ 4" |
| 07 | 72641A | Gasket, VAC Manifold, Short |
| 08 | 72630A | Cover, Vacuum Manifold, Flat |
| 09 | 70020B | Gasket, Vacuum Motor Seal |
| 10 | X9204 | Rod, 10-24, "T" Bolt |
| 11 | 72605A | Spacer, 1/ 8 |
| 12 | 7BF030 | nut, 10-24 nylon Insert Lock, |
| 13 | 72365A | Vacuum Motor, 3-Stage |
| 14 | 7CM003 | Washer, #10 USS Flat |
| 15 | 7BF003 | Nut, kep, #10-24 Zinc |
| 16 | 72000A | Rod, 3/16 x 5-1 /2 |
| 17 | 7CM002 | Screw, #6x3/ 4 Phil Pan TS |
| 18 | 72662A | Screw, #10 x 1/ 2" |
| 19 | 72661A | Wand holder |
| 20 | X9157 | Cover, Pressure Regulator |
| 21 | 72636A | Cover Plate, Bottom |
| 22 | 72388A | Screw, #10 x 5/8, 5/8 |
| 23 | PX65 | Caster, 4" black |

| ITEM | PART # | DESCRIPTION |
|------|--------|-------------------------------|
| 24 | 7DT001 | Screw, 5/16- 18 x 5/8 |
| 25 | Px154 | Garden Hose Fitting |
| 26 | PX153 | Nipple, 1/ 2 NPT x 1- 1/ 2" |
| 27 | X8239 | Washer, 1/ 2 USS Flat Zinc |
| 28 | PX152 | Coupling, 1/ 2 NPT |
| 29 | PC25 | 1/ 2" to 1/ 2" male / Male |
| 30 | 72665A | Insert, Tee Nut |
| 31 | 72642A | Gasket, VAC Manifold, Circle |
| 32 | 72625A | Cover, Vacuum Manifold |
| 33 | X9069+ | End Loop, SS, W/ 2 holes |
| 34 | 71644A | Screw, #10 x 1 Phil Head TS |
| 35 | 72667A | Washer, Rubber, .29 ID, |
| 36 | X9199 | Pump, Self-priming Impeller |
| 37 | 7BF004 | Nut, Kep, 1/ 4 -20 Zinc |
| 38 | 7DL008 | Clamp, 1/ 2" Worm Gear |
| 39 | 70079C | Hose, 1 /2" Wire Reinforced |
| 40 | 71237A | Bracket, Motor Mount, S-V |
| 41 | 7GF033 | Pad, Motor Mount |
| 42 | X8268 | Bolt, 1/ 4-20 x 3/ 4, Hex Tap |
| 43 | X9014 | Hinge |
| 44 | 7BS003 | Screw, 1 /4-20 x 1 /2 |
| 45 | 7CY006 | Washer, #8 Internal Tooth |
| 46 | 71743A | Screw, 8-32 x 3/ 16 PHMS |

| ITEM | PART # | DESCRIPTION |
|------|--------|--------------------------------|
| 47 | 72702A | Cover, Pan |
| 48 | 72703A | Screw, 8-32 x2" L |
| 49 | 72142A | Plug, 7/8 Black Nylon |
| 50 | PD8 | Strain Relief, 1/ 2" NPT |
| 51 | 7CF010 | Circuit Breaker, 8A, PF85DX |
| | 70768D | Circuit Breaker 3A, For PF85 |
| 52 | PX87 | Rocker Switch, DPST, 20A |
| 53 | X9173+ | Hole Plug, Switch Hole |
| 54 | 72116A | Switch Cover, Black |
| 55 | 72387A | Screw, #8 x 5/8, Black |
| 56 | Px112 | Pigtall, Black |
| 57 | 72632B | Switch Panel, With Fan |
| 58 | X8008N | Nut, Lock, 1/ 2" Steel Conduit |
| 59 | X8151B | Plug, Plastic, Black |
| 60 | 72684A | Screw, 1/ 4 -20 x 2 1/ 2' Phil |
| 61 | X8260 | Nut, 8-32 Lock |
| 62 | X9168 | Spacer, Pad Hinge |
| 63 | 72700A | Fan, Cooling, 115V, 92MM |
| 64 | 72699A | Foam, Switch Panel |
| 65 | FP8 | Cap with Chain |
| 66 | X9253 | Pump, Impeller 5GPM |
| 67 | 71507A | Elbow 1 /2H -1/ 3MPT |
| 68 | 71379A | Relay, 120V 25A |

Flood Pump System



| ITEM | PART # | DESCRIPTION | ITEM | PART # | DESCRIPTION | ITEM | PART # | DESCRIPTION |
|------|--------|---------------------------------|------|--------|--------------------------------|------|--------|--------------------------------|
| 01 | 72619A | Tank, Recycling, New Pro | 17 | 7BH004 | Screw, 10-32 x 3 /8 | 33 | X8235 | Washer, 1/ 4" Flat, USS Zinc |
| 02 | PX25 | Fitting, Plastic Bulkhead | 18 | 72713A | Spring Clip | 34 | 72486A | Spacer, 1.625 |
| 03 | 72656A | Hose, 1-1 /2 Wire | 19 | 71495 | Pump protection Filter | 35 | 72679A | Gasket, Drain Inner |
| 04 | 7DL005 | Clamp, 1-1 /2 Worm Gear | 20 | 72326A | Inlet Filter | 36 | 72680A | Gasket, Drain Outte |
| 05 | X9224 | Adapter, 1/ 2 to 1/ 4 NPT | 21 | X9221 | Hold-Down Latch | 37 | PAS37+ | Drain Hose |
| 06 | X9014 | SCE Tank Hinge | 22 | 72323B | Gasket, Lid 43" | 38 | PAS36+ | Expansion Plug Drain |
| 07 | 7BS003 | Screw, 1/ 4 -20 x 1 1/2" NPT | 23 | 72321A | Lid, Tank | 39 | 72678A | Tubing, Vinyl, 1 ID, 1-1 /4 OD |
| 08 | PD8 | Strain Relief, 1 1/2" NPT | 24 | X9236 | Filter, VAC inlet Protection | 40 | 72677A | Drain Fitting, 1" |
| 09 | 72274A | Washer, 3/ 4" Neoprene | 25 | 71644A | Screw, #10x1- 1/ 4" | 41 | 72645A | Bolt, 5/16-18x 2-1 /4, Hex |
| 10 | PX48 | Fitting, Brass, Bulkhead, 3 /4" | 26 | X9213 | Float Switch | 42 | X8025+ | Wheel, Black, 4" x 1-1 /4" |
| 11 | 7AT004 | Barb, 1/ 2 Hose, 1/ 4 Male | 27 | X8154 | Pipe, PVC | 43 | X9239+ | Elbow, PVC, 1 1/2 NPT |
| 12 | 72660A | Rope | 28 | PX48G | Gasket, Filte | 44 | 70343A | Float Switch, Pump. |
| 13 | 72388A | Screw, #10 x 5/8 | 29 | PX14 | Dump Valve Gasket | 45 | 71328A | Shield Float Switch |
| 14 | 72631A | Latch Bracket | 30 | PX33 | Vacuum Tube | 46 | 7AJ004 | Bulkhead 5/8 |
| 15 | X9223 | Inlet Fitting Assembly | 31 | 72615A | Coupling, PVC, 1- 1 /2" | 47 | 72115A | Wahser seal |
| 16 | PX14A | Dump Valve Gasket | 32 | PX63 | Coupler, Plastic, 1-1 /2" Slip | | | |

Conditional Guarantee

The manufacturer warrants that products manufactured are free from defects in material and workmanship under normal use and service for a period of one year from date of purchase provided such goods are installed, operated and maintained in accordance with written manuals and/or other instructions on housings and parts and workmanship, two years on motor. We will repair or replace without cost, any part of the unit, which when examined by our authorized repair station or at our factory, is found to be legitimately defective. This guarantee is null and void on any part which has been subject to alteration, accident, abuse or misuse. The guarantee is valid only to the original using purchaser.



A Tacony Company
3101 Wichita Court • Ft. Worth, TX 76140-1755
800.880.2913