



Flood Pump System

OPERATORS MANUAL AND PARTS LIST

Model PF75



Shown With Optional Wand

READ ALL INSTRUCTIONS BEFORE OPERATING

WARNING: OPERATOR MUST READ AND UNDERSTAND THIS MANUAL COMPLETELY BEFORE OPERATING THIS EQUIPMENT.

DO NOT OPERATE MACHINE UNTIL YOU HAVE READ THIS SECTION.

IMPROPER USE OF THE FLOOD PUMP WILL VOID THE WARRANTY

1. Never operate the pump without first removing the cap on the pump-out fitting and connecting the dump hose.
2. Keep all filters clean. Do not operate machine if filters are clogged.
3. All extension cords must be at least 12 guage, three wire and no longer than 50 ft.
4. Try not to let the pump run dry for extended periods
5. Always use a defoamer when foaming occurs to prevent damage to vacuum motors.
6. Keep the machine, tools, and hoses from extremes in temperature. Do not allow the machine, tools or hoses to freeze.

GENERAL INSTRUCTIONS

INSPECTION:

Carefully unpack and inspect the PF75 for shipping damage. Each machine is tested and inspected before shipment. Any damage incurred during shipping is the responsibility of the carrier, who should be notified immediately.

MAINTENANCE:

Prior to each job, inspect the recovery tank filters, the in-line filters, the float, and the drain gate for hair or dirt build-up. Remove and clean the stainless steel filter, in the recovery tank after each job. Unscrew the clear cap from the in-line filter and clean the screen often. Pump damage may occur if filters become clogged or unable to filter debris.

Check hose clamps regularly to make sure they are tight. The pump discharges water at high pressure. If hose clamps become loose, a hose could come loose and possibly flood the base.

Lubricate wheels, casters, hinges and latches as needed. The pump and vacuum motor do not require any maintenance.

The body can be cleaned with general purpose cleaner and protected with a silicone-based product like Armor All®.

SET-UP

Connect the vacuum hose to the hose barb (vacuum inlet) on the front of the recovery tank. Connect one or two length(s) of outlet hose to the hose fitting on the rear of the machine. Put the lid on the recovery tank. Plug the machine into a 120V, 3 hole, AC outlet.

VACUUM OPERATION:

A switch is provided for the vacuum motor. **Caution** do not turn the vacuum motor on with the hose submerged in water. The vacuum motor must have airflow for proper use.

VACUUM SHUTOFF:

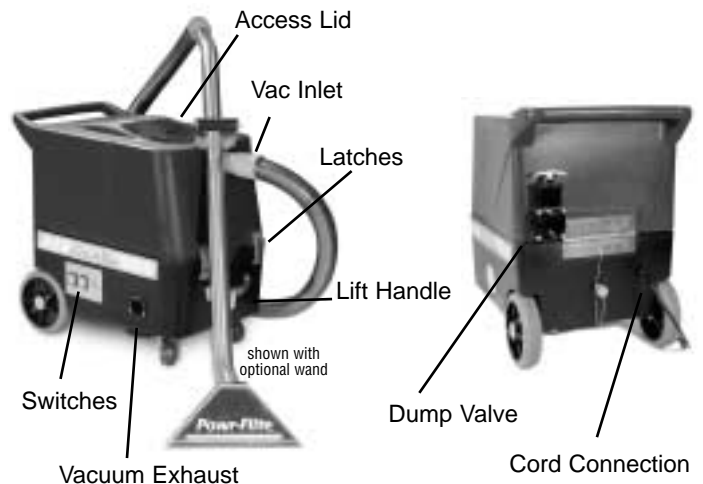
When the recovery tank is full, the float system will shut off power to the vacuum motor~and prevent water from entering the motor. The float may not work properly if it is extremely dirty or if there is foam in the tank. Once the tank is emptied sufficiently, the vacuum, will come back on automatically.

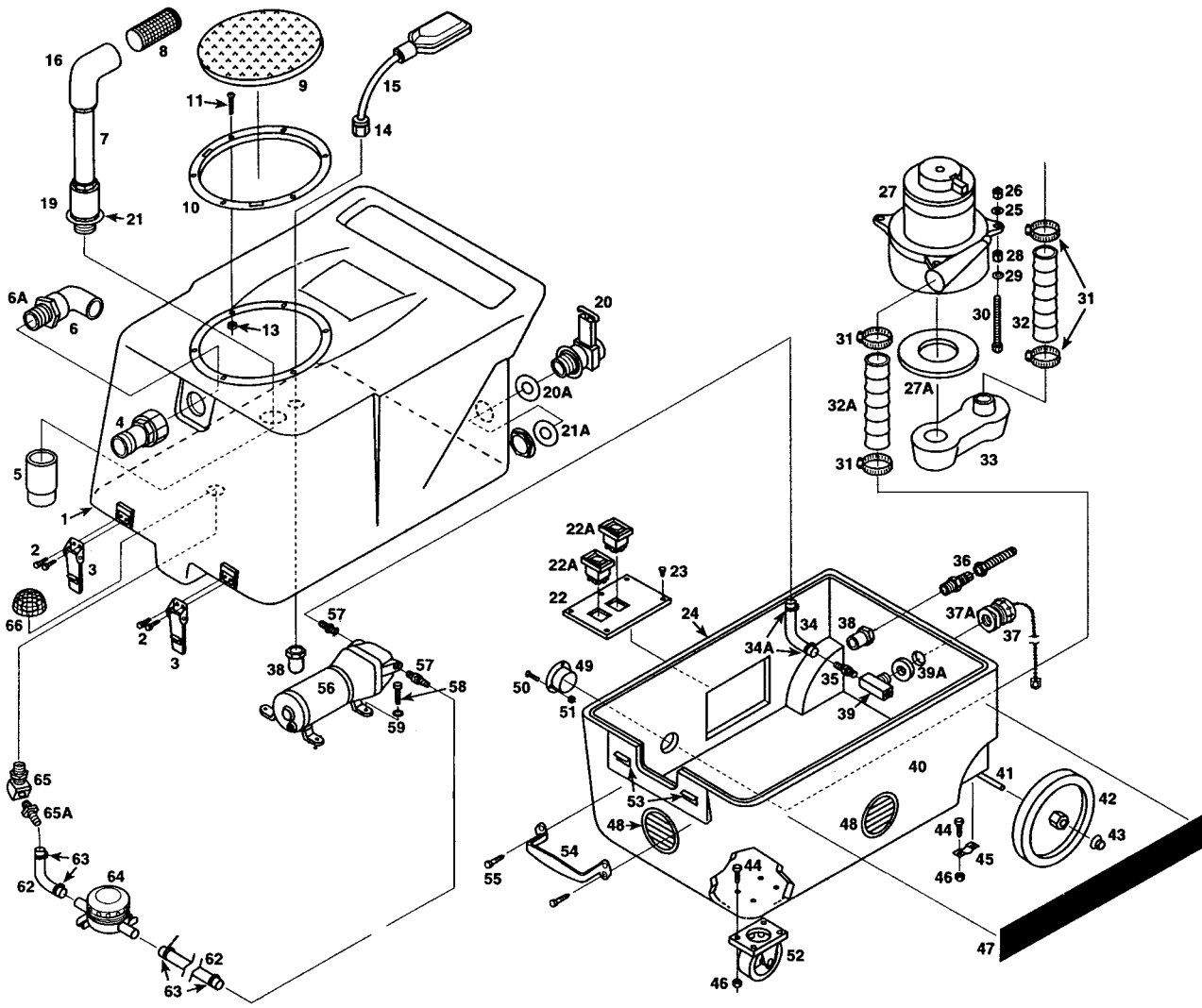
PUMP OPERATION:

Never tum the pump on before uncapping the pump-out fitting and connecting the dump hose. Failure to do so may result in internal plumbing leaks and could damage components. Do not let the pump run dry for long periods of time.

SPECIFICATIONS

Power Cord	25 Ft., 12 gauge, 3-wire
Power Consumption	8 amps
Recovery Tank Capacity	12 gallons
Vacuum Intake Hose	2 in. x 25 ft
Vacuum Motor	single stage vacuum motor
Water Lift	90"
CFM	140
Front Wheel Size	8 inches
Rear Wheel Size	3 inches
Tank Construction	High density polyethylene
Overcharge Protection	Electronic float/auto ON-OFF
Discharge Pump	Flojet diaphragm pump
Discharge Rate	5 GPM
Filter System	50 mesh S/S filter in recovery tank 50 mesh in-line filter before pump
Weight	75 lbs.
Dimensions	27" H x 18" W x 27 _" L





ITEM	PART #	DESCRIPTION	ITEM	PART #	DESCRIPTION	ITEM	PART #	DESCRIPTION
1		RecoveryTank	24		Gasket	43		Axle Cap
2		Screw	25		Washer	44		Bolt
3		Latch	26		Locknut	45		Axle Bracket
4		Vac Inlet Barb	27	F140	Vacuum Motor	46		Locknut
5		Adapter, PVC	27A		Gasket, Vacuum Motor	47		Label
6		Elbow, PVC	28		Nut, Finish	48		Louver
6A		Adapter, PVC	29		Washer	49		ExhaustFlange
7		Pipe, PVC	30		Bolt	50		Screw
8	FP2	Vacuum InletFilter	31		Hose Clamp (size 28)	51		Nut
9		Lid	32		Rubber Hose	52		Castor,Swivel
10	FP4	Lid and Bracket	32A		Rubber Hose	53		Latch Strike
11		Screw	32B		Rubber Hose	54		Handle, Chrome
13		Lock nut	33		Manifold, Vacuum	55		Screw
14		Cord retainer, water tight	34		Hose, Polywire	56	FJ4125	Pump, Diaphragm, Sump
15		Float Switch	3M		Hose Clamp	57		HoseBarb
16		Elbow, 90 degree, PVC	35		HoseBarb	58		Screw
18		Pipe, PVC	36		Cord Retainer	59		Washer, Flat
19		Adapter, Special	37		Cap with Chain	60		Locknut
20		Drain Gate	37A		Brass Adapter	61		Bracket, Pump Mounting
20A		O-ring, large	38		Reducer, PVC	62		Hose, Polywire
21		Nut, Cast	39		T, Brass	63		Hose Clamp
21A		O-ring, small	39A		Washer, Flat, S/S	64	FP5	Filter, Pump Inline
22		Switch Plate,Guzler	40		Base, Guzzler	65		Elbow, 45 degree
22A	FP1	Switch, SPSTwith light	41		Axle	65A		Hose Barb
23		Screw	42		Wheel	66	FP3	Pump Filter, S/S

Conditional Guarantee

The manufacturer warrants that products manufactured are free from defects in material and workmanship under normal use and service for a period of one year from date of purchase provided such goods are installed, operated and maintained in accordance with written manuals and/or other instructions on housings and parts and workmanship, two years on motor. We will repair or replace without cost, any part of the unit, which when examined by our authorized repair station or at our factory, is found to be legitimately defective. This guarantee is null and void on any part which has been subject to alteration, accident, abuse or misuse. The guarantee is valid only to the original using purchaser.



A Tacony Company
3101 Wichita Court • Ft. Worth, TX 76140-1755
800.880.2913