



O-Z Care System

OPERATORS MANUAL AND PARTS LIST

Model PF03



READ ALL INSTRUCTIONS BEFORE OPERATING

OZONE IS A POWERFUL OXIDIZER AND MUST BE USED WITH CARE

WARNING: USE IN UNINHABITED AREAS ONLY. Ozone attacks organic matter. Limited exposure can cause nausea. Prolonged exposure can be hazardous. Prolonged exposure can also affect certain organic materials such as rubber, plastic, wire insulation. Do not get machine wet. Consult MSDS sheet before use.

WARNING: OPERATOR MUST READ AND UNDERSTAND THIS MANUAL COMPLETELY BEFORE OPERATING THIS EQUIPMENT.

O-Z Care System – the Professional Odor Neutralizer

Not a simple cover-up or ionizer, the O-Zone unit is an economical environmental odor neutralizer that actually destroys the source of the odor and leaves pure, fresh oxygen in its place. This large-capacity ozone generator is ideal for commercial use, eliminating odors in any indoor location and in vehicles. It is excellent for removing odors caused by smoke damage, mold, mildew, pets and other sources commonly encountered in building maintenance and refurbishing. Use the O-Zone unit in basements, kitchens, bathrooms, and any room with an odor problem. It also provides rapid deodorizing of hotel/motel rooms, meeting rooms and vehicles such as automobiles, buses, boats and aircraft.

Your O-Z Care System is complete and ready to operate.

Unpacking the O-Z Care System

Your O-Z Care System was thoroughly inspected, tested, and packaged to deliver the equipment in good operating condition. It is beyond our control after the equipment is turned over to a freight carrier. The freight carrier received and signed for the equipment in good condition. Consequently, it is most important to protect your interest by carefully complying with the following instructions.

Please inspect your cartons for any damage (including concealed damage) that might have occurred during shipment. Any damage is the responsibility of the freight carrier and should be reported immediately. It is your responsibility to issue a claim and to receive compensation from the freight carrier for any damage done in transit. Shipping damage is not warranted.

GENERAL INSTRUCTIONS

All cleaning and maintenance work should be completed and thoroughly dry before using the Ozone machine. Ozone treatment should be the final step in maintenance.

Follow these easy step-by-step instructions to ensure proper operating performance of your new O-Z Care System.

1. Make certain all people; pets, and plants are out of the area. Close all windows and doors. Place a safety sign on the door to the location warning of Ozone use – DO NOT ENTER
2. Make sure the filter in front of the cooling fan is installed and clean.
3. Place the ozone unit on a shelf or tabletop as high in the area to be treated as possible.
4. Plug the power cord into a grounded, 3-prong outlet.
5. Set the timer to the desired length of time.

Pressing the UP timer button for 1 second will increase the time setting by 1 minute at a time. Hold the button for 1 to 3 seconds to change the time value by 2 minutes per second. Hold the button for longer than 3 seconds and the time setting will change by 20 minute increments. The maximum time setting is 29:59 hours. After reaching the maximum time, the timer will wrap back to

00:00 and continue increasing. When the time is being decreased and reaches 00:00, it will wrap to 29:59 and continue decreasing.

6. Select the desired power level: 25%, 50%, 75% or 100%.
The ozone unit always sets to 100% when it is plugged in. Best results are achieved when a lower power setting is used for typical odor problems.

When the power level is set to 100%, the unit will make ozone continuously until the timer runs out or the OFF button is pressed. At other power level settings, the unit will produce ozone for the fraction of a minute the level is set at. For example, if the output level is set to 75%, the O-Z system will produce ozone for 45 seconds of each minute. At 50%, ozone will be created for 30 seconds of each minute, and at 25%, the ozone generation only will occur for 15 seconds of each minute. On any setting other than 100%, the ozone generator will be cycling the ozone ON and OFF.

The setting used is based on the size of the area to be treated. For example, when treating a small room with a minimal odor problem the best results are achieved by using a lower setting and at double the prescribed time. (50% power level for 60 minutes.) For larger rooms or rooms that require a heavy treatment, such as fire damage or flooding, best results are achieved with a 100% power level for the maximum time.

Press the ON button to turn the O-Z system on. Leave the area.

7. When treatment is complete, unplug the ozone unit and ventilate the area completely until the smell of ozone is gone. DO NOT allow people, pets or plants back into the area until all smell of ozone is dissipated.

NOTE: For best results using the O-Z Care System run a PD2500 Dryer/Air Mover in the room at the same time as the O-Z System. Ozone is heavier than air and will fall to the bottom of the room, which is why the O-Z System is placed at the highest available point in the room. Angling the Dryer/Air Mover at a 45 degree angle, pointed towards the wall will create a circular air movement for more effective treatment.

Time Guidelines

The O-Z Care System will control biological contamination and odor in areas up to 40,000 cubic feet. Recommended times for treatment are based on 3 air changes. To calculate the appropriate time treatments use the following calculation:

$$(x \text{ cubic feet} \div 100 \text{ CFM}) \times 3 = \text{time setting}$$

example:

$$(1000 \text{ cubic foot room} \div 100) \times 3 = \text{time setting}$$

$$10 \times 3 = \text{time setting}$$

$$30 \text{ minute} = \text{time setting}$$

Use the following times as a guideline:

Fire & Flood Restoration	12-72 Hours
Hotel/Motel Room	20-60 Minutes
Vehicle	20-30 Minutes

Note: Ozone destroys odor-causing molecules, thus eliminating the source of the odor. The length of time this process takes will vary depending on the amount of contaminants the ozone has to work on, the amount of area being treated. The ozone process can produce a haze in the air within the area being treated.

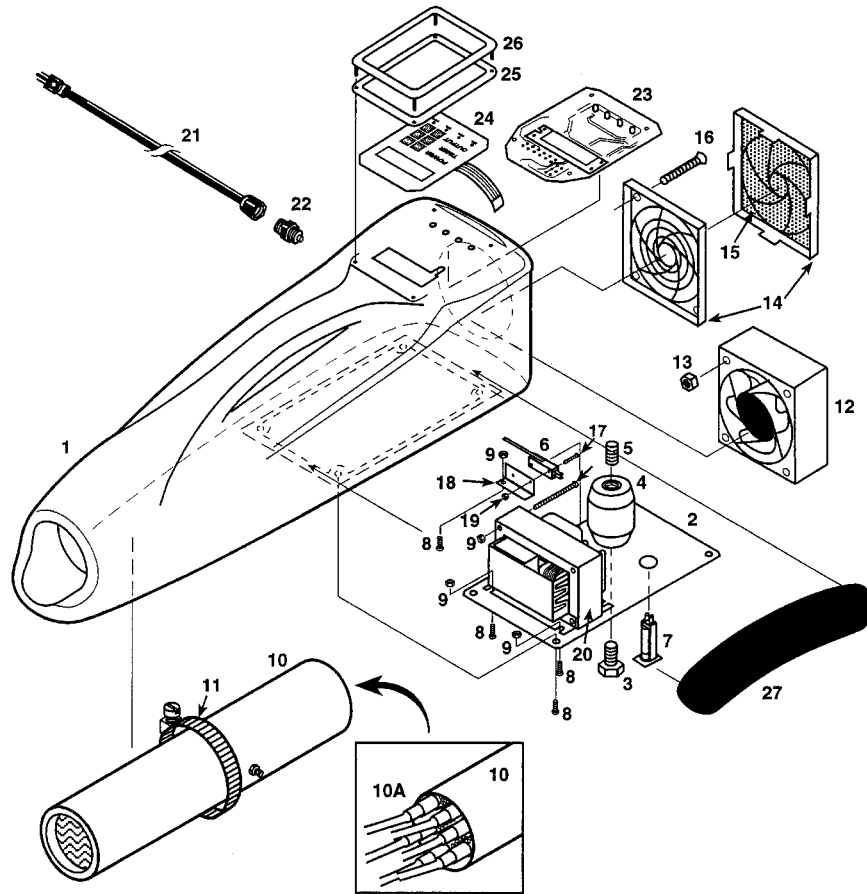
Automobiles

1. Install the hose onto the electrode chamber. Secure the hose with the hose clamp.
2. Use a towel to protect the car's finish and set the ozone unit on top of the car.
3. Install the foam block into a partially closed car window and insert the hose into the hole in the foam.
4. Set the timer and the power level.
5. Turn the ozone unit ON. Leave the area.
6. When the treatment is complete, ventilate the car completely until the smell of ozone is gone. Repeat treatment if necessary.



Features & Specifications:

- Destroys the source of the odor: Not just a coverup or ionizer
- Removes odors: Caused by smoke, pets, mold, mildew, etc.
- 30 hour digital timer/programmer
- Variable ozone output settings
- High density: Ceramic & stainless steel electrodes (patented)
- Power supply overload protection
- Odor & biological control: For areas up to 40,000 cubic feet (1,113 M³)
- Fire restoration: 4,000 Cubic Feet (113 M³)
- Garbage bins: 0-8 Cubic Yards (0-2 M³)
- Output: 7.95 ppm / 2.65 gr/hr, 100 CFM
- Rugged construction: Rotational molded hexane co-polymer body with lifetime guarantee
- Dimensions: 8"H x 8"W x 22"L
- Weight: 12.5 lbs.
- Made in the USA
- No plates or UV tubes to maintain
- Warranty: 2 year with Lifetime Warranty on Ozone Electrodes (patented)



ref #	description	part no	ref #	description	part no
1	Housing	OZ-1	14	Fan Cover Assembly (includes filter)	201 5A
2	Mounting Plate, Bottom	OZ-18	15	Fan Filter	2015B
3	Bolt, 3/8" x 1/2"	326	16	Bolt, 8/32 x 2 1/2", S/S	323
4	Terminal Block	OZ-10	17	Screw, 4-40 x 5/8, SIS	328
5	Stud, 3/8" x 1 1/8"	327	18	Bracket for Safety Switch	OZ-22
6	Safety Switch	OZ-8	19	Nylon Lock Nut, 4-40, S/S	18
7	Circuit Breaker 1/2 Amp.	OZ-5	20	Transformer	OZ-4
8	Bolt	364	21	Power Cord, 6'	OZ-11
9	Nylon Lock Nut, 10-32	17	22	Cord Retainer	230 & 230A
10	High Voltage Electrode Chamber	FP242	23	Control Board Assembly	OZ-17
10A	Electrode Assembly	FP241	24	Membrane Key Pad	OZ-20
11	Hose Clamp	198	25	Gasket	OZ-1 6A
12	Fan	2014	26	Bezel	OZ-16
13	Lock nut	324	27	Label	OZ-23

Conditional Guarantee

The manufacturer warrants that products manufactured are free from defects in material and workmanship under normal use and service for a period of one year from date of purchase provided such goods are installed, operated and maintained in accordance with written manuals and/or other instructions. We will repair or replace without cost, any part of the unit, which when examined by our authorized repair station or at our factory, is found to be legitimately defective. This guarantee is null and void on any part which has been subject to alteration, accident, abuse or misuse. The guarantee is valid only to the original using purchaser.

Power-Flite
COMMERCIAL FLOOR CARE EQUIPMENT

A Tacony Company
 3101 Wichita Court • Ft. Worth, TX 76140-1755

MATERIAL SAFETY DATA SHEET (MSDS)

24 HOUR EMERGENCY PHONE: 1-800-424-9300

Name: OZONE
Product: Triatomic Oxygen
Issued: 12/01/00

**Not Available at
Date Issued**

NFPA HAZARD RATING
4 = EXTREME 3 = HIGH
2 = MODERATE 1 = SLIGHT
0 = INSIGNIFICANT

SECTION 1 - IDENTIFICATION

Chemical Name: Triatomic Oxygen
Chemical Family: Gas
DOT Hazard Class: N/A
DOT Identification: N/A

SECTION 2- HAZARDOUS INFORMATION

Component	CAS #	%	PEL	TLV
Ozone Gas	10028-15-6			0.1ppm

SECTION 3- PHYSICAL DATA

Appearance and Odor: Colorless gas, pungent odor.
Minimum detectable odor at
0.02 ppm.

Boiling Point: 112° C
Vapor Pressure: N/A
Vapor Density (air +1): N/A
Solubility,v in Water: N/A
Specific Gravity (H₂O = 1): 1.6 g/l (liquid)
Melting Point: 192° C
Evaporation Rate (H₂O=1): N/A

SECTION 4 - FIRE & EXPLOSION DATA

Not flammable, but enhances combustion of other substances to cause fire or explosion.

Flash Point: N/A
Flammable Limits: N/A
LEL: N/A
UEL: N/A
Fire Extinguishing Media: Use the extinguisher appropriate to burning material.
Special Firefighting Procedures: None
Unusual Fire Hazards: Increased oxygen can feed fire.
Explosion Hazards: None

SECTION 5 - REACTIVITY DATA

Stability: Unstable. Begins to dissipate immediately.

Conditions to Avoid: N/A
Incompatibility: High levels for extended periods will cause deterioration of rubbers, paint and metal.

Hazardous Decomposition: N/A
Hazardous Polymerization: None

Disclaimer: The information in this document applies to workplace exposure and is not designed for the population at large. Any generalization beyond occupational exposures should not be made.

SECTION 6 - HEALTH HAZARD DATA

Health Hazards: Irritation of the eyes and respiratory tract. Inhalation of the gas may cause lung edema or asthmatic reactions. Symptoms may not become noticeable for several hours. Lungs may be affected by repeat or prolonged exposure. None known.

Carcinogenicity: None known.

Medical Conditions: N/A
Aggravated by Exposure: N/A
Methods of Exposure: Inhalation and contact on skin and eyes.

Symptoms of Exposure: Cough, dry throat, irritated eyes, headache. Possible asthma-like symptoms with overexposure.

EMERGENCY FIRST AID:

Eye and Skin: Move to fresh air.
Inhalation: Move to fresh air. Seek medical attention if asthma-like symptoms are noticed.
Ingestion: N/A

SECTION 7 - PRECAUTIONS FOR SAFE HANDLING & USE

Storage and Handling: N/A
Spill Response: N/A
Waste Disposal: N/A
Other Precautions: EPA Recommended Exposure Limits: 0.1 ppm / 8 hrs or maximum 0.3 ppm for 10 mins.

NOTE: Threshold limit values refer to airborne concentrations of ozone and represent conditions under which it is believed that nearly all workers may repeatedly be exposed day after day without adverse effect, however a small percentage of workers may experience discomfort at levels below those listed.

SECTION 8 - CONTROL MEASURES

This gas is designed to be used for a limited time in a controlled environment.

Eye Protection: None
Ventilation: When treatment is complete, ventilate the area completely until all smell of ozone is gone. Do not allow people or pets into the area until the ozone smell is eliminated.

Respiratory Protection: Do not use in inhabited spaces. Clear all people, animals, plants and any other organic life from the area to be treated.

Protective Clothing or Other Equipment: None
Work/Hygienic Practices: N/A

Power-Flite
COMMERCIAL FLOOR CARE EQUIPMENT

A Tacony Company

3101 Wichita Court • Ft. Worth, TX 76140-1755