

Powr-Flite[®]

COMMERCIAL FLOOR CARE EQUIPMENT

Commercial Spotter

Model number PS35

OPERATING INSTRUCTIONS

COMMERCIAL AND HOUSEHOLD
SPOTTER/EXTRACTOR

CONGRATULATIONS

YOU HAVE JUST ACQUIRED A HIGH QUALITY COMMERCIAL SPOTTER. PLEASE READ THIS MANUAL CAREFULLY, BEFORE OPERATING YOUR NEW COMMERCIAL SPOTTER. KEEP MANUAL ON HAND FOR FURTHER REFERENCES.



Save These Instructions

IMPORTANT SAFETY INSTRUCTIONS

*When using a commercial spotter, basic precautions should be followed, including the following: *Read all instructions before using this commercial spotter.

SAVE THESE INSTRUCTIONS FOR FUTURE REFERENCE

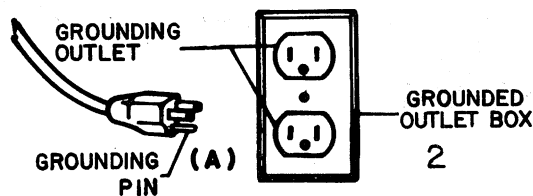
WARNING

To reduce risk of fire, electric shock, or injury:

- Do not use outdoors or on wet surfaces.
- Do not leave commercial spotter unattended when plugged in. Turn off the switch and unplug the electrical cord when not in use and before servicing.
- Do not allow to be used as a toy. Close attention is necessary when used near children.
- Use only as described in this manual. Use only manufacturer's recommended attachments.
- Do not use with damaged cord or plug. If commercial spotter is not working as it should, has been dropped, damaged, left outdoors, or dropped into water, return it to a service center before using.
- Do not pull or carry by cord, use cord as a handle, close a door on cord, or pull a cord around sharp edges or corners. Do not run commercial spotter over cord. Keep cord away from heated surfaces.
- Do not use extension cords or outlets with inadequate current carrying capacity.
- Turn off all controls before unplugging.
- Do not handle plug or commercial spotter with wet hands.
- Do not put any objects into openings. Do not use with any opening blocked, keep free of dust, lint, hair, and anything that may reduce airflow.
- Keep hair, loose clothing, fingers, and all parts of body away from openings and moving parts.
- Do not pick up anything that is burning or smoking, such as cigarettes, matches or hot ashes. Use extra care when cleaning on stairs. Do not use to pick up flammable or combustible liquids such as gasoline, or use in areas where they may be present.
- Store your commercial spotter indoors in a cool, dry area.
- Do not unplug by pulling on cord. To unplug, grasp the plug, NOT THE CORD.

THESE MODELS ARE GROUNDED, CONNECT TO A PROPERLY GROUNDED OUTLET ONLY - SEE GROUNDING INSTRUCTIONS.

GROUNDING INSTRUCTIONS



This appliance must be grounded. If it should malfunction or breakdown, grounding provides a path of least resistance for electric current to reduce the risk of shock. This appliance is equipped with a cord having an equipment-grounding conductor and grounding plug. The plug must be inserted into an appropriate outlet that is properly installed and grounded in accordance with all local codes and ordinances.

WARNING - Improper connection of the equipment-grounding conductor can result in a risk of electric shock. Check with a qualified electrician or service person if you are in doubt as to whether the outlet is properly grounded. Do not modify the plug provided with the appliance - if the plug will not fit the outlet, have a proper outlet installed by a qualified electrician.

This appliance is for use on a normal 120 volt circuit, and has a grounded plug that looks like the plug illustrated in sketch A.

Note: In Canada, the use of a temporary adapter is not permitted by the Canadian Electrical Code.

Operating Instructions for PS35 Commercial Spotter

WHEN THE MACHINE IS DELIVERED...

Check the carton carefully for signs of rough handling. Remove the machine from the carton. If the machine is damaged, notify the carrier immediately and request an inspection. Be sure to keep the carton, packing inserts, packing lists and carrier receipt until the inspector has verified your claim. Liability ceases when the shipment is picked up by the carrier, but our customer service staff will be glad to furnish any information needed in connection with the claim and will expedite the repair of the machine.



BEFORE USING THE MACHINE

Read the manual carefully and completely before attempting to operate the unit. This manual has important information for the use and safe operation of this machine. Keep this manual handy at all times. The commercial spotter will provide years of satisfactory service if operated and maintained according to recommendations in the manual.



WARRANTY

To protect your investment, promptly fill in the required information on the warranty card included with the unit. Then mail the card back.



GENERAL PRECAUTIONS

Follow these guidelines to ensure operator safety and to maintain equipment in running order.

- Make sure the machine is plugged into an electrical outlet with the same voltage rating as

shown on the nameplate of the machine. Do not attempt to plug a 115 volt machine into a 230 volt outlet or a 230 volt machine into a 115 volt outlet.

- Disconnect the power cord from the outlet before attempting maintenance or repair work.
- Do not leave machine connected to an electrical outlet when unattended.
- Never pull the machine by the cord or yank the cord from the receptacle. Replace a damaged cord immediately.
- If an extension cord is necessary, use a three conductor grounding cord – 12 gauge wire or heavier to prevent motor burnout and over-heating of wires.
- To avoid electric shock, do not expose to rain. Store indoors.
- To avoid fire, do not use machine in environments where combustible liquids, vapors or dust concentrations are present.



WARNING

- Do not expose the machine to freezing temperatures.
- Do not use the machine for totally dry vacuuming. This machine is not fitted with a fine dust filter.
- Do not use citrus-based cleaners in this machine.
- Do not use cleaning chemicals in this machine except those recommended for commercial extraction equipment. The use of any chemical with abrasive additives voids the warranty.
- Do not break off or pull out the ground prong on the plug.
- Do not attempt repair on a warranted machine unless instructions to perform it by an authorized shop are obtained from the factory.
- Do not use any replacement parts except those specified on the parts list. Proper performance of the machine could be affected if substitutions are made.
- Use defoamer at all times to prevent damaging the vacuum motor.
- Do not use water in excess of 140° F (62° C).

Failure to comply with the above warning instructions will void the warranty.

Operating Instructions for PS35 Commercial Spotter

Filling the Spotter

Disconnect the solution and recovery tanks. Add water and or chemicals to the lower solution tank. The tank will hold up to 3.5 gallons.

Operating the Spotter

- A. Attach the solution feed line to the quick disconnect at the bottom of the machine.
- B. Attach the vacuum hose to the vacuum inlet (handle) above the recovery tank lid.
- C. Turn the 3-way switch to use either the pump and vacuum or the vacuum alone.
(Allow approximately 30 seconds for the pump to prime.)
- D. Use the hand tool to spray and recover the solution.
- E. The float shut-off will disable the suction of the unit when the recovery tank is full. The operator will notice a distinctive change in the sound of the vacuum motor when the shut-off is activated. Empty the recovery tank to resume cleaning.



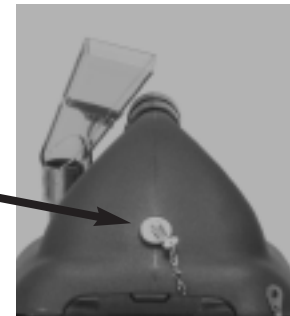
Disconnect tanks



Attach vacuum hose



3-way switch



Drain plug

Emptying the Recovery Tank

- A. Disconnect the solution line and vacuum hose.
- B. Unlatch the recovery tank from the base of the unit and remove.
- C. Remove the drain plug.
- D. Drain tank over suitable outlet for wastewater.
- E. Rinse tank after each use.

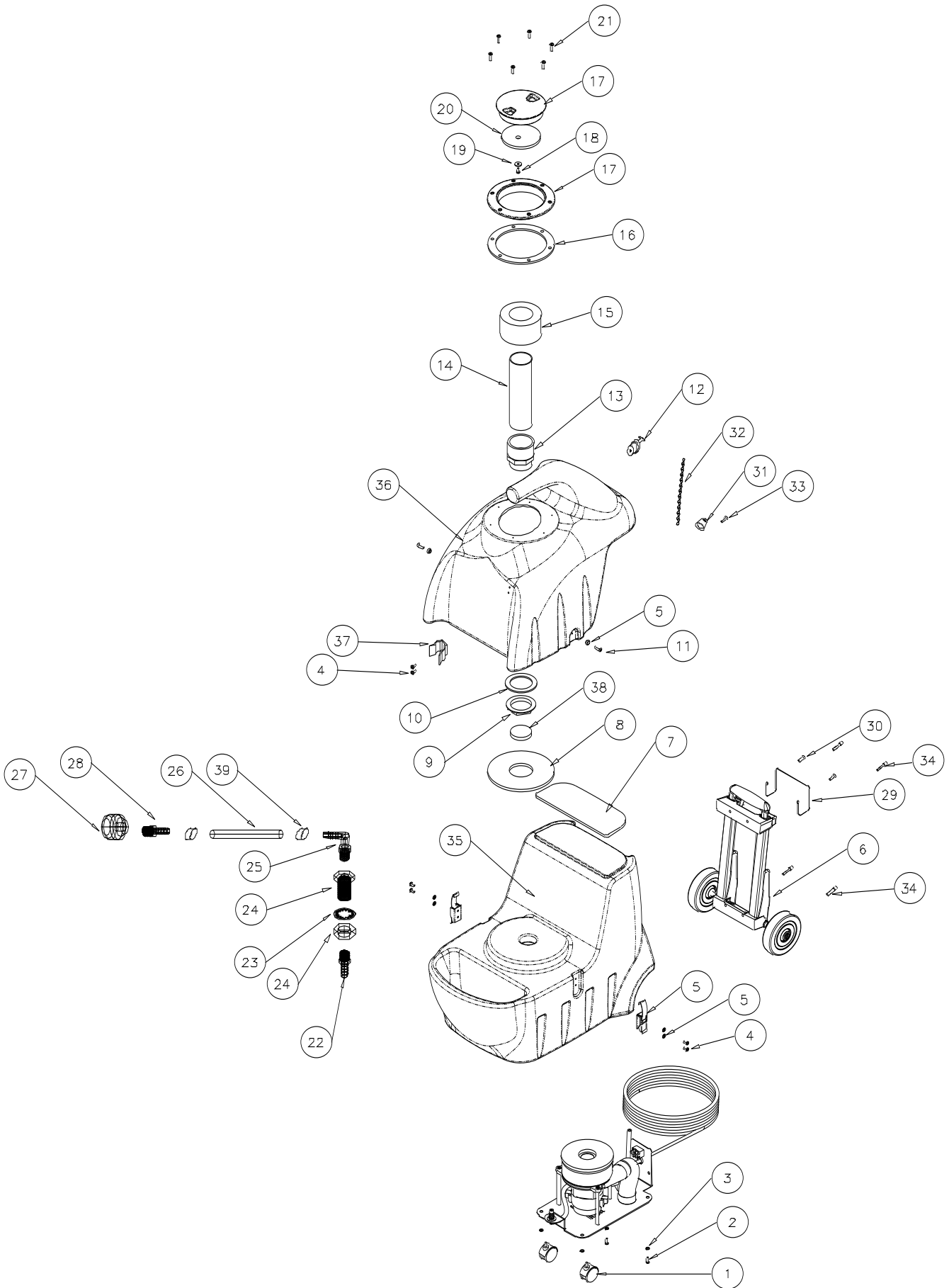
Basic Troubleshooting:

- A. If the pump does not prime, depress the lever on the hand tool to release the air lock.
- B. If solution flow is reduced or spray is weak:
 1. Check for low solution level in the solution tank.
 2. Check the screen on the hose in the solution tank for blockage.
 3. Check the spray jet in the hand tool for blockage.

If suction is low:

1. Check the recovery tank to see if it is full.
2. Check for blockage in the hand tool or the hose.
3. Add defoamer to recovery tank.

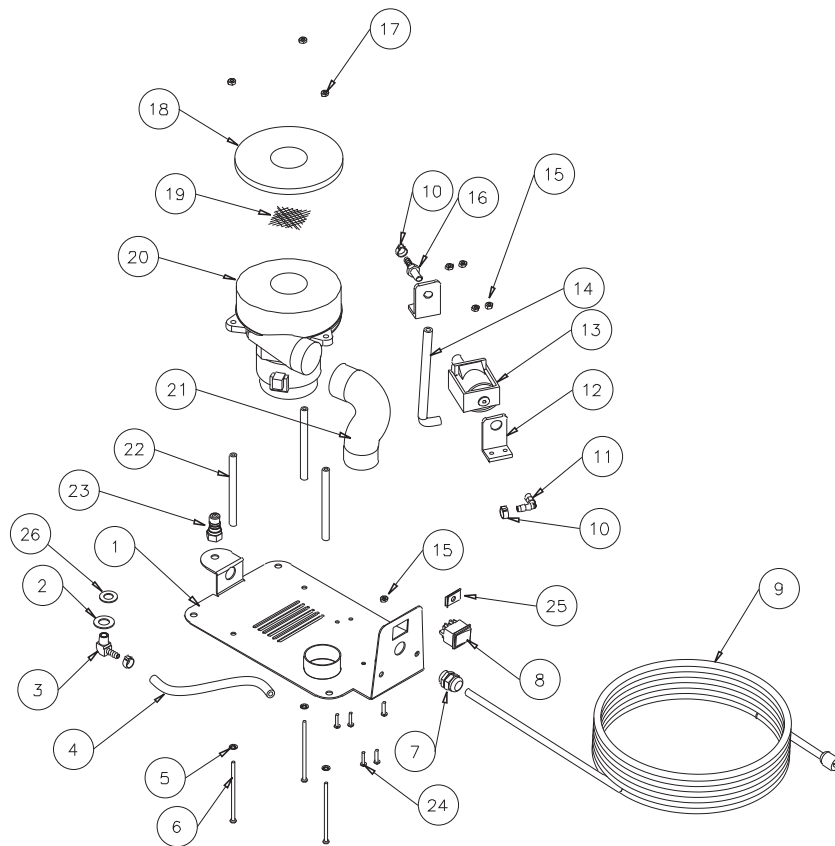
Parts Diagram



Parts List

ref. #	order #	description	ref. #	order #	description
1	X9047	CASTER SWIVEL 45MM	23	72115A	WASHER 5/8" X 1-3/16" NEOPRENE BOND
2	7BS003	SCREW 1/4-20 X 1/2" PHIL. STAINLESS STEEL	24	7AJ004	ANCHOR CONECTOR 1/8"
3	X8212	WASHER 1/4 MED SPLIT LOCK ZINC	25	7AT006	FITTING ELBOW 90 DEGREE 1/4-1/8
4	X8262	SCREW, 8-32 X 1/4", THPH, BLACK	26	71817A	HOSE 1/4" BRAIDED
5	X9059	LATCH OVER CENTER W/ KEEPER	27	PX30	FILTER, MESH SCREEN
6	X8990	HANDLE / WHEEL ASSEMBLY	28	PX213	FITTING 1/4 NPTM X 1/4 HOSE BARB
7	X9064	GASKET SOLUTION TANK	29	X9072	CORD HOOK
8	X9079	GASKET DONUT 3/8" THICK	30	X8270	SCREW 10-24 X 1/2"
9	PX46	NUT, LOCK, DIE CAST, 1-1/2"	31	X9069	END LOOP STAINLESS STEEL W/ TWO HOLES
10	PX14A	DAMP VALVE GASKET 1-1/2" THIN	32	X9068	12" STAINLESS STEEL JACK CHAIN
11	X8278	SCREW 8-32 X 1/2" PAN HEAD PHILLIPS	33	X8849	SCREW, 8-18 X 1/2" PHILLIPS PAN
12	X9073	PLUG 7/8" X 1-1/16" SNAP-TITE	34	X9065	SCREW 1/4-20 X 1" SHCS
13	X9076	BULKHEAD 1-1/2" MPT X 1-1/2"	35	SP101BLU	SOLUTION TANK
14	X9082	1-1/2" PVC SCHEDULE 40 PIPE	36	SP102BLU	RECOVERY TANK
15	X9062	FLOAT RING VACUUM SHUT-OFF	37	72173A	CLIP, SPRING, BLACK VINYL COATED
16	PX103AG	GASKET, LID, 6" O.D. X 4.6" I.D.	38	PX209	FILTER, FOAM, 1-1/2" O.D. X 1/2" THICK
17	PX103A	LID 4" CLEAR W/ BLACK RING	39	7DL003	CLAMP 1/4" WORM GEAR STAINLESS STEEL
18	X9087	WASHER #6 X 5/8 SAE FLAT 55	Not Illustrated		HOSE ASSEMBLY STRETCH 10 FT
19	X9088	SCREW 8-18 X 1/2 PAN HD PHIL SS	X9058		HAND TOOL, DETAILER ASSEMBLY 1-1/2"
20	X9061	SHUT-OFF DISK	AA195		LABEL
21	X8295	SCREW #8 X 3/4" PHILLIPS FLAT TS	X8962		
22	PC66	FITTING 1/8" NPTM X 1/4 HOSE BARB			

Motor Assembly



ref. #	order #	description	ref. #	order #	description
1	X9046	BASE PLATE WELDMENT SPOTTER	16	PC66	FITTING, 1/8 NPTM X 1/4 HOSE BARB
2	7CM004	WASHER 3/8" FLAT STAINLESS STEEL	17	X8237	NUT, 1/4-20, LOCK NYLON INSERT
3	7AT006	BARB ELBOW (90) 1/4-1/8 BRASS	18	X9078	VACUUM MOTOR GASKET
4	71817A	HOSE 1/4" BRAIDED	19	X9060	SCREEN VACUUM MOTOR
5	X8212	WASHER 1/4 MED SPLIT LOCK ZINC	20	1942-IE	MOTOR, VACUUM, IMPERIAL ELECTRIC
6	X8291	CAP SVREW 1/4-20 X 5-1/2" ZINC	21	7CZ001	1-1/2" WIRE REINFORCED HOSE
7	PD8	STRAIN RELIEF 1/2" NPT	22	X9045	MOUNTING POST VACUUM MOTOR
8	X9048	SWITCH ROCKER SPOTTER	23	PC10	MALE QUICK DISCONNECT
9	M1408	POWER CORD, 18/3 X 15'	24	X8270	SCREW 10-24 X 1/2" PHILLIPS TRUSS HEAD
10	7DL003	CLAMP 1/4" WORM GEAR STAINLESS STEEL	25	X8214	NUT SPEED 1/4-20 U TYPE CLIP
11	PX214	FITTING NYLON, 90 DEG. ELBOW	26	X8293	WASHER NYLON .50 ID X .75 OD X .13 THK.
12	PX204	MOUNT, FLOJET PUMP, SPOTTER	Not Illustrated		SCREW 8-32 X 3/8 PHIL PANTCS
13	FJ5082	PUMP, OSCILLATING, FLOJET	X8284		NUT 1/2" CONDUIT
14	71817A	HOSE 1/4" BRAIDED	X8008N		CLAMP 2-1/2" WORM GEAR S.S.
15	X8271	NUT 10-24 W/ NYLON INSERT	PX215		SWITCH LABEL 2.5" X 1.5"
			X8497B		



3101 Wichita Court • Fort Worth, Texas 76140-1710
Call Toll-Free (800) 880-2913 • Fax (817) 551-0719