



# **Upright Extractor**

## **OPERATORS MANUAL AND PARTS LIST**

### **Model PFX1350 SERIES**



**WARNING: OPERATOR MUST READ AND UNDERSTAND THIS MANUAL COMPLETELY BEFORE OPERATING THIS EQUIPMENT.**

# IMPORTANT SAFETY PRECAUTIONS

**WARNING!:** To reduce the risk of fire, electric shock, or injury

**WARNING**  
**To avoid fire, DO NOT use with a flammable or combustible liquid to clean floor.**



**WARNING**  
**To avoid electric shock, DO NOT expose to rain. Store Indoors.**

When using this upright extractor, basic precautions should always be followed, including the following:

- 1) **DO NOT** leave unit when plugged in. Unplug from outlet when not in use and before servicing.
- 2) **DO NOT** allow unit to be used as a toy. Close attention is necessary when used around or near children.
- 3) Use only as described in this manual. Use only manufacturer's recommended attachments.
- 4) **DO NOT** use with damaged cord or plug. If unit is not working properly because it has been dropped, dropped into water, left outdoors, or damaged in any way, contact a service center of Powr-Flite.
- 5) **DO NOT** handle plug or appliance with wet hands.
- 6) **DO NOT** put any objects into openings. **DO NOT** use with any opening blocked: keep free of dust, lint, hair, or anything that may reduce air flow.
- 7) Keep hair, loose clothing, fingers, and all parts of body away from openings and moving parts.
- 8) **DO NOT** pick up anything that is smoking or burning such as cigarettes, matches, or hot ashes.
- 9) **DO NOT** use to pick up hazardous chemicals.
- 10) Turn off all controls before unplugging.
- 11) Turn unit off immediately if foam or liquid comes from machine exhaust. Empty & clean out recovery (dirty) tank and use defoamer to correct the problem.
- 12) **DO NOT** use to pick up flammable or combustible liquids such as gasoline or use in areas where they may be present.
- 13) **DO NOT** use where oxygen or anesthetics are used.
- 14) Replace damaged or worn parts immediately with genuine original equipment parts to maintain safety.
- 15) This unit must be connected to a properly grounded outlet only.

**See grounding instruction on page 4.**

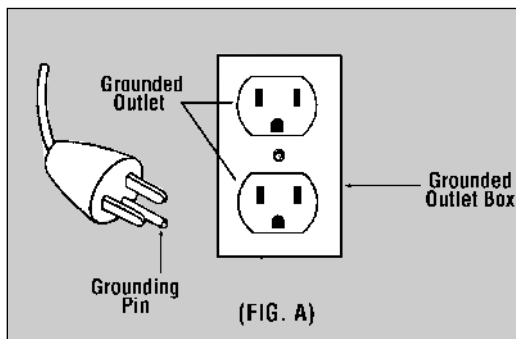
# GROUNDING INSTRUCTIONS

**DANGER:** Improper use of the grounding plug can result in a risk of electric shock.

## GROUNDING INSTRUCTIONS

This extractor must be properly grounded. If it should malfunction or break-down, grounding provides a path of least resistance for electrical current to reduce the risk of electric shock. This machine is equipped with 1 or 2 pigtail cords having an equipment-grounding conductor and grounding plug. The pig-tails must be inserted into an appropriate 12 gauge 3 prong extension cord.

## GROUNDING METHODS



This unit is for use on a nominal 120 volt circuit and has a grounded plug that looks like the plug illustrated in (Fig.A).

## WARNING!

Improper connection of the equipment-grounding conductor can result in a risk of electric shock. Check with a qualified electrician or service person if you are in doubt as to whether the outlet is properly grounded. **DO NOT** modify the plug provided with the appliance. If it will not fit the outlet, have a proper outlet installed by a qualified electrician.

# General instructions for PFX1350 series Extractors

Congratulations on your purchase of a Powr-Flite extractor. You are now equipped to handle any and all commercial carpet cleaning jobs.

## Shipping and Damage

This equipment is thoroughly inspected, tested, and packaged to provide equipment in good operating condition. It is beyond our control after the equipment is turned over to a freight carrier. The freight carrier received and signed for the equipment in good condition. Consequently, it is most important to protect your interest by carefully complying with the following instructions:

Please inspect your cartons for any damage (including concealed damage) that might have occurred during shipment. Any damage is the responsibility of the freight carrier and should be reported to the freight carrier immediately. It is your responsibility to issue a claim and to receive compensation from the freight carrier for any damage done in transit. Damage of this sort is not warranted.

## Follow these easy step by step instructions to ensure proper operating performance.

1. Fill up the fresh water solution tank with tap water that is 120-135 degrees and approved carpet cleaning chemical if you are not pre-spraying your chemical on the carpet.
2. Attach two 12 gauge extension cords (NOT INCLUDED) (one cord for non-heated models) to each of the pigtail cords located on the lower backside of the unit. The red pigtail powers the heater while the black pigtail powers the vacuum motors and pump.
3. Plug each extension cord into a separate and grounded 20 amp wall socket circuits, when this is accomplished the green indicator light will be lit (on heated models).
4. Attach the hose system to the unit and to your carpet wand.
5. Turn on the heater and the pump to the "on" position, (only pump on non-heated models) when the heater is on the orange indicator light on the switch panel will be lit.
6. With the solution line attached to the wand and the machine, prime the pump by squeezing the trigger on the wand releasing the water (hold wand tip over solution tank to put water back into solution tank). This will pump water into the heater and get any air out of the solution line. Let the heater heat up this will take 3 to 5 minutes. \*Prime pump on 400 p.s.i. models with prime hose (included).
7. Turn vacuum switches to the "on" position one at a time to begin cleaning.
8. Anyone designated to operate this equipment must, without fail, read and thoroughly understand all instructions and precautions prior to use.
9. Never use equipment out of doors or in the rain.
10. Never use flammable or explosive materials in or around this equipment!!!
11. When vacuum tank is full, empty by using drain hose at rear of machine. If a pail is used to empty the vacuum waste tank, do not use the same pail to fill the solution tank as this can result in putting dirt and grit into the solution line that can plug filters, orifices, and generally degrade the solution line system (do not reuse solution).
12. To empty solution tank, detach the wand from the end of the vacuum hose and insert the vacuum hose into the solution tank. Turn the vacuum switches to "on" position and transfer solution to vacuum tank and dispose of as outlined in #11. Clean vacuum stack filter at this time.

## Maintenance

To receive reliable service from this equipment, regular daily maintenance is a requirement. Fabric cleaning, both carpet and upholstery, are very dirty environments for any equipment. The following recommendations are offered.

1. Keep the equipment clean, both inside and out.
2. Lubricate brass quick disconnects and drain valves with a quality lubricant such as WD-40.
3. Flush solution systems after use with clear, clean water. (A white vinegar solution may also be used). This will counter-act hard water and alkaline deposits and aid in keeping orifices clean.
4. Do not allow fluid either in solution or waste tank to sit overnight. The unit should be emptied and cleaned daily.
5. Clean the strainer in the solution tank, the filters on the vacuum stack in vacuum tank and all lint filters in the inlet or vacuum tanks daily.
6. Do not use the same receptacle (pail) to fill solution tank that is used to remove waste from vacuum tank.
7. When the unit is not in use, leave the vacuum tank lid open.
8. At the end of each day, run the vacuum for 3 minutes with lid open and filter off.
4. Never use equipment near or around flammable or explosive materials, fuels, or solvents.
5. Never put flammable materials, fuels, or solvents into equipment.
6. Never lift the machine by the drain hose.
7. Do not allow the unit to freeze!
8. The equipment was not designed to be used outdoors or in the rain.
9. Do not operate in standing water.
10. Wear safety equipment and clothing to protect from extremely hot water.
11. Do not operate equipment under any unsafe condition.
12. Do not operate if pigtails, hoses, etc. are cracked, frayed, leaking, or otherwise in need of repair.
13. Common sense is a powerful force in protecting the operator, the equipment and others from serious damage injury and/or death.

## Safety Precautions

These precautions are designed with the safety of the operator, the equipment, and others in mind and must be followed at all times to avoid serious personal harm and/or death, and damage to the unit.

1. Always use a grounded electrical outlet.
2. Always disconnect electric cable from electrical outlet before attempting to make any adjustments or repairs.
3. Never use this equipment as a toy.



## Storage of Equipment

1. Store extractor indoors in dry area.
2. Recovery and solution tank should be empty and clean when the extractor is not in use.
3. Leave the recovery lid and dump valve open to air out the recovery tank.
4. Do not store in freezing temperature.
5. A small amount of windshield washer fluid available at an auto supply may be left in the pump and internal solution line for protection against freezing.



## Warnings

1. Do not break off or pull the grounding prong on the plug.
2. Do not attempt repair on a warranted machine unless instructions to perform it by an authorized shop are obtained from the factory.
3. Do not use citrus-based (D-Limonene) cleaners in this machine.
4. Do not use cleaning chemicals in this machine except those recommended for steam-type extraction equipment. The use of any chemicals with abrasive additives voids the warranty.
5. Do not use any replacement parts except those specified on the parts list. Performance of the machine could be affected if substitutions are made.
6. Do not use water in excess of 140° F (62° C) through the pump system. It could damage the seals and polypropylene casing of the diaphragm pump.
7. Follow maintenance schedule strictly.
8. Failure to comply with the above warnings instructions will void the warranty.

### ONE LAST REMINDER

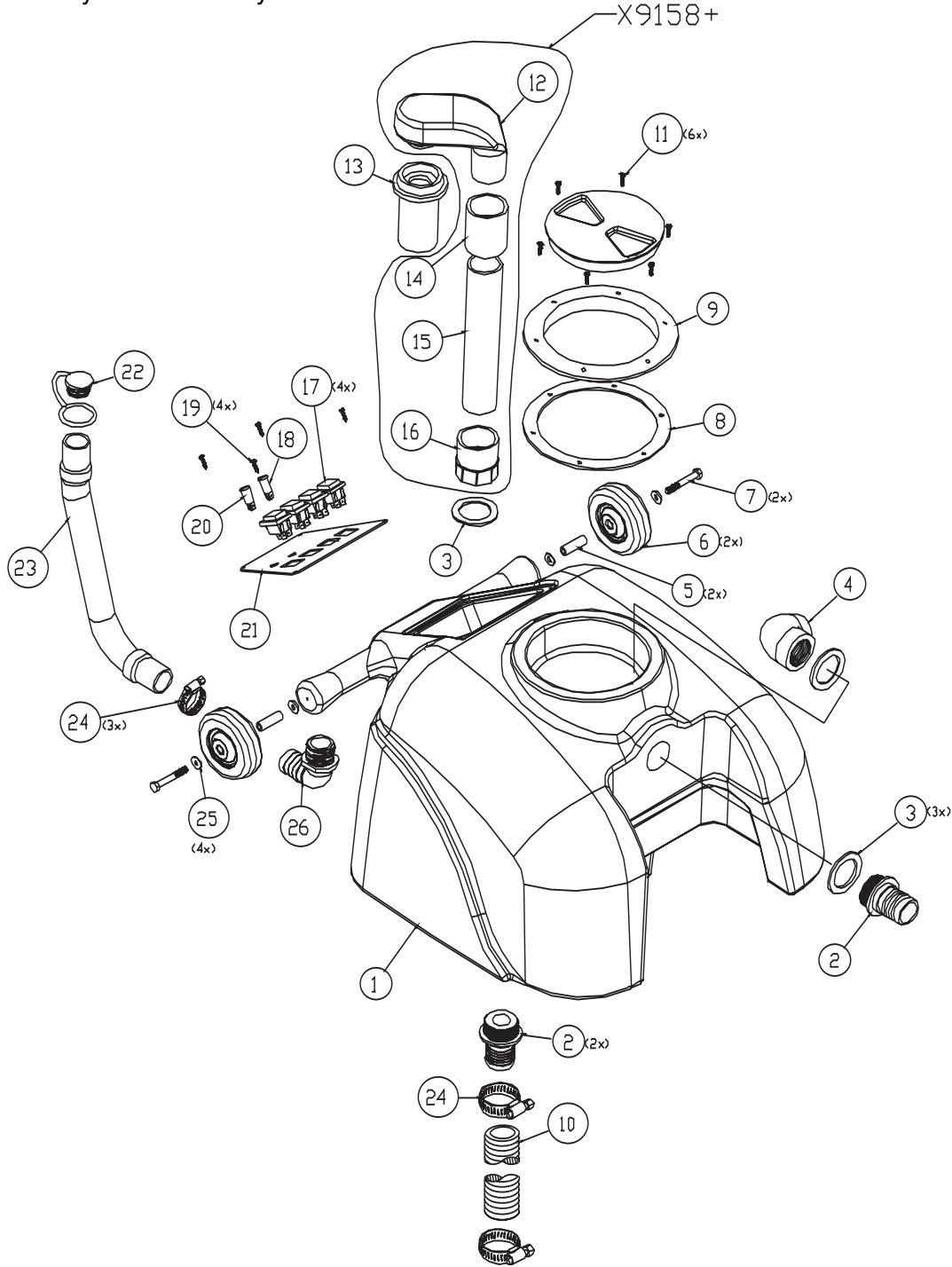
Read All Instructions, Warning and Cautions Before Using. These guidelines are presented for your protection and convenience. Please read them carefully, since failure to heed these precautions could result in discomfort or injury. When using an electrical appliance, basic safety precautions should always be followed.

## WARNING

TO AVOID FIRE, DO NOT USE WITH A FLAMMABLE OR COMBUSTIBLE LIQUID TO CLEAN FLOOR.

## MODEL PFX1350 SERIES CARPET EXTRACTOR PARTS

### PFX1350 recovery tank assembly

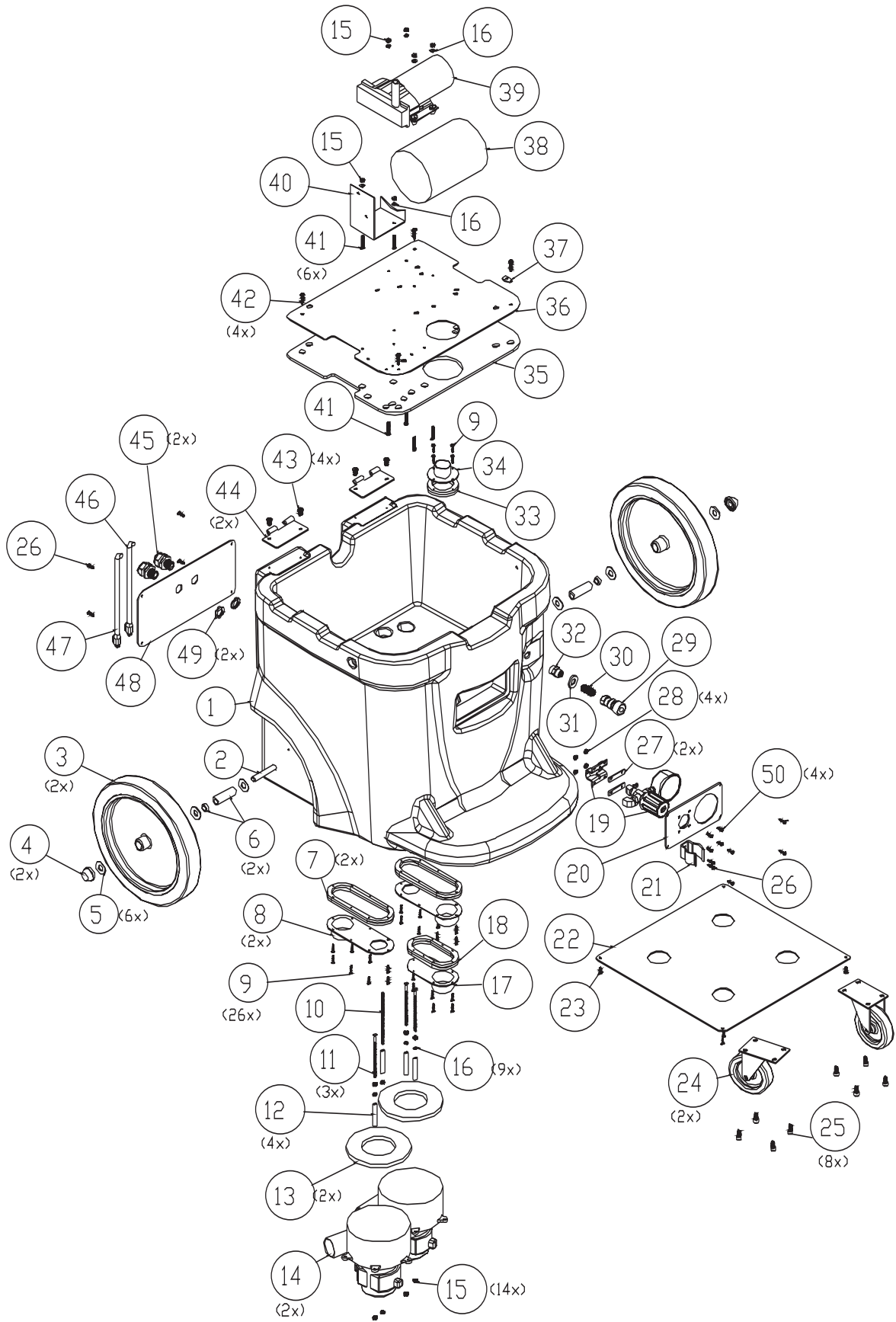


ref#	order#	description
1	<b>X9113</b>	housing, recovery tank
2	<b>PX25</b>	fitting, plastic, hose barb
3	<b>PX14A</b>	dump valve gasket rubber
4	<b>PX11A</b>	fitting, plastic elbow
5	<b>72486A</b>	spacer, 1.625 long, .50 od, .313 id
6	<b>X8025</b>	wheel, black, 4" x 1-1/4"
7	<b>72645A</b>	bolt, 5/16-18 x 2-1/4, hex
8	<b>PX103G</b>	gasket, lid, 8"od x 6-5/8 id x 1/8" thick
9	<b>PX103</b>	lid, screw-in, 6" clear w/ black ring
10	<b>72656A</b>	hose, 1-1/2", wire-reinforced, black
11	<b>X8295</b>	screw, black zinc
12	<b>PX33</b>	vacuum tube
13	<b>PX31</b>	float cage w/ heavy ball
14	<b>72615A</b>	coupling, pvc, 1-1/2 slip x slip

ref#	order#	description
15	<b>X9154</b>	pipe, pvc, schedule 40, 1-1/2", 9.5" long
16	<b>PX63</b>	coupler, plastic, 1- " slip
17	<b>PX87</b>	rocker switch
18	<b>X8102</b>	neon light w/ lens, orang
19	<b>72387A</b>	screw, #8 x 5/8 phil ph black
20	<b>PX86</b>	indicator light, green, 250v
21	<b>X9152</b>	switch panel w/o heater
	<b>X9130</b>	switch panel w/ heater
22	<b>PAS36</b>	expansion plug drain
23	<b>PAS37</b>	drain hose
24	<b>7DL005</b>	clamp worm gear 1-1/2 ss
25	<b>X8235</b>	washer, " flat, uss zinc
26	<b>7GR016</b>	elbow, 1-1/4" - 1-1/4m, nylon

# MODEL PFX1350 SERIES CARPET EXTRACTOR PARTS

## PFX1350 base assembly





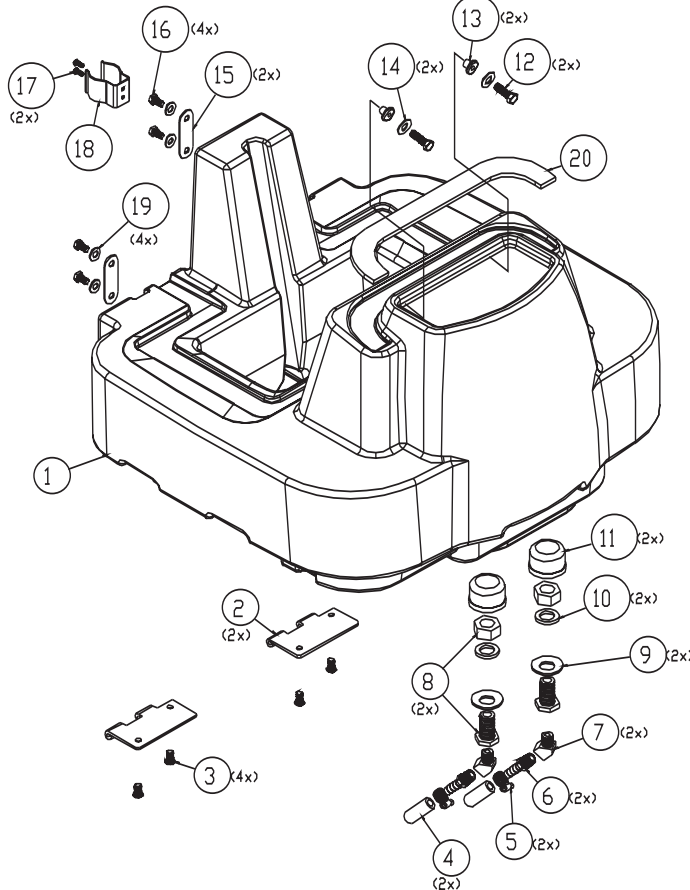
## MODEL PFX1350 SERIES CARPET EXTRACTOR PARTS

### PFX1350 base assembly

ref#	order#	description
1	<b>72620AB</b>	housing, base, black
2	<b>72633A</b>	axle
3	<b>X9066</b>	wheel, 12" x 1.75" non-marking,
	<b>PX106B</b>	wheel, 12" w/ 3/4" bore, all black
4	<b>7GL002</b>	push nut
5	<b>7CM007</b>	washer, 1/2 uss flat, 18-8 ss
6	<b>72634A</b>	bushing, 1/2" id x 3/4" od x 2-1/4" long
	<b>72635A</b>	spacer, 1/2" id x 3/4" od x 1/4" long
7	<b>72640A</b>	gasket, vac manifold, long
8	<b>72623A</b>	cover, vacuum manifold, long
9	<b>7CW002</b>	screw, #6 x 3/4 phil pan ts, type a 18-8 ss
10	<b>72000A</b>	rod, 3/16 x 5-1/2, all thread stud, 18-8 ss
11	<b>72657A</b>	screw, 10-24 x 4" long, hex head
	<b>72658A</b>	screw, 10-24 x 5" long, hex head
12	<b>72651A</b>	spacer, vac motor, 2.375" long
13	<b>70020B</b>	gasket, vacuum motor seal
14	<b>1942-IE</b>	vacuum motor, 115 vac, 104 cfm, 2 stage
	<b>72365A</b>	vacuum motor, 3 stage, 120v
15	<b>7BF003</b>	nut, kep, #10-24 zinc
16	<b>7CM003</b>	washer, #10 uss flat, 18-8 ss
17	<b>72624A</b>	cover, vacuum manifold, short
18	<b>72641A</b>	gasket, vac manifold, short
19	<b>PX117A</b>	gauge, 0-300 psi, 2-1/2", abs
	<b>PC38</b>	connector, double thread
20	<b>72638A</b>	pressure regulator plate
	<b>X9157</b>	cover, pressure regulator plate
21	<b>72173A</b>	spring clip, black vinyl coated
22	<b>72636A</b>	cover plate, bottom
23	<b>72388A</b>	screw, #10 x 5/8, tap phil, ss pan head
24	<b>PX65</b>	caster, 4" black

ref#	order#	description
25	<b>72490A</b>	screw, 5/16-18 x 5/8, cap screw w/ hex socket
26	<b>72387A</b>	screw, #8 x 5/8, black, tap phil, pan head
27	<b>72639A</b>	gasket, mounting pressure regulator
28	<b>X8256</b>	nut, 8-32 keps, zinc
29	<b>70063B</b>	coupler, valved 1/4, quick disconnect
30	<b>7CX002</b>	nipple, hex 1/4 mpt
31	<b>72115A</b>	washer, 5/8 x 1-3/16, bonded seal, galvanized
32	<b>PC38</b>	connector, double thread, female
33	<b>72642A</b>	gasket, vac manifold, circle
34	<b>72625A</b>	cover, vacuum manifold, circle
35	<b>72627A</b>	gasket, pump mounting
36	<b>72626A</b>	pump mounting plate
37	<b>X9069</b>	end loop, ss, w/ 2 holes, 16g
38	<b>PF1750</b>	heater unit, 1750 watts
	<b>PF1200</b>	heater, 1200w for low flow
	<b>PF2000</b>	heater, 2 1000 watt element (split)
39	<b>PT400</b>	pump, 200 psi w/regulator, 115v
	<b>SF814</b>	pump, 100 psi w/by-pass, epdm valves
	<b>PT400-KIT3</b>	pump assembly, 400 psi w/ hoses
40	<b>X9022</b>	heater mounting bracket
41	<b>X8236</b>	screw, 10-24 x 1-1/4", phil pan ms, zinc
42	<b>72020A</b>	screw, #12 x 1", self-tap, phms zinc
43	<b>7BS003</b>	screw, 1/4-20 x 1/2, phil, pan, ms 18-8 ss
44	<b>X9014</b>	hinge
45	<b>PDB</b>	strain relief, 1/2" npt
46	<b>PX112</b>	pigtail, black, 12/3 sjt x 39" long
47	<b>PR112R</b>	pigtail, red, 12/3 sjt x 39" long
48	<b>X9131</b>	cord panel
49	<b>X8008N</b>	nut, lock, 1/2" steel conduit
50	<b>7BS002</b>	screw, 8-32 x 1/2 phil, pan ms, 18-8 ss

### PFX1350 solution tank assembly



ref#	order#	description
1	<b>X9112</b>	housing, solution tank
2	<b>X9014</b>	hinge
3	<b>7BS003</b>	screw, phil pan ms, 18-8 ss
4	<b>PX3H</b>	hose, solution, 3/8" id x 1/8" wall
5	<b>PX42</b>	clamp, 5/8 worm gear
6	<b>PX85</b>	fitting, hose male/male barb
7	<b>PX17</b>	street elbow, 45° brass, 1/4" npt
8	<b>PX48</b>	fitting, brass, bulkhead, 3/4
9	<b>72274A</b>	washer, 3/4"
10	<b>PX48G</b>	gasket, fiber
11	<b>71495A</b>	pump protection filter
12	<b>7CT002</b>	bolt, 5/16-18 x 1" hex tap
13	<b>PX88</b>	grommet
14	<b>7CM002</b>	washer, flat #8 ss, toggle valve
15	<b>X9140</b>	tie down plate
16	<b>7CP002</b>	bolt, 5/16-18 x 1/2" hex tap
17	<b>7BH004</b>	screw, 10-32 x 3/8" phil pan ms
18	<b>72173A</b>	spring clip, black vinyl coated
19	<b>X8218</b>	washer, 5/16 sae flat zinc
20	<b>X9149</b>	gasket, foam strip

## Troubleshooting Information

### ELECTRICAL SYSTEM

PROBLEM	POSSIBLE CAUSE	SOLUTION
No electrical power.	1. Defective power cord. 2. Circuit breaker off or fuse blown.	1. Replace 2. Turn circuit breaker on or replace fuse. Unplug any equipment using the same circuit.
Switch is turned on. Intermittent power to motor(s).	1. Faulty electrical cable. 2. Defective switches. 3. Loose terminal or discolored terminal connections.	1. Repair or replace. 2. Replace. 3. Replace.
Electrical Shock	1. Equipment not grounded.	1. Locate grounded outlet.

### VACUUM SYSTEM

PROBLEM	POSSIBLE CAUSE	SOLUTION
Vacuum motor on Little or no vacuum on wand head.	1. Drain hose open.  2. Defective vacuum hose  3. Vacuum disconnected	1. Close drain hose. Recovery tank lid must be closed. 2. Repair or replace. hose. Kinks in vacuum hose. 3. Open machine, connect vacuum hose to recovery tank.
Not enough vacuum power at the machine.	1. Damaged recovery tank lid. 2. Lint clogging ball - type shutoff screen.  3. Vacuum hose connection between stand pipe and vacuum motor.  4. Vacuum motor exhaust blocked.  5. Cords not plugged into separate circuits	1. Replace  2. Remove screen. Clean out fibers and accumulated dirt. 3. Check for leaks around clamps and cuffs (tighten). Replace damaged hose(s). 4. Check air flow by removing hose from machine and feel the exhaust under the machine. Remove obstruction. 5. Relocate one cord to a different room.

### VACUUM SYSTEM

PROBLEM	POSSIBLE CAUSE	SOLUTION
Motor running and no vacuum at all.	1. Faulty vacuum motor.	1. Replace.
No exhaust from the blowport.	2. Water shutoff closed.	2. Clean water shutoff screen.
Premature closing of ball type shutoff.	1. Dirty or clogged shutoff filter screen.	1. Remove and clean screen.
Ball type shutoff failing to release after recovery tank is drained.	2. Ball coated with detergent or other foreign material. 2. Screen slightly out of round.	2. Remove and rinse ball with clean water. 3. Bend screen by squeezing slightly by hand until there is an obvious space between ball and inside of screen.

Foam/dirty solution coming out of vacuum exhaust port.	1. Foam from carpet by-passing water shutoff. 2. Elbow in vacuum tank is not positioned correctly.	1. Use additional defoamer. 2. The elbow should be pointed directly at the side wall of the tank away from the ball type shutoff.
--	---	--

### SOLUTION SYSTEM

PROBLEM	POSSIBLE CAUSE	SOLUTION
Pump motor on – no spray through jets.	1. Clogged or faulty solution control valve.  2. Clogged or faulty quick disconnect on housing.  3. Punctured pump diaphragm. 4. Clogged jets	1. Check intake on valve and remove lint or other foreign material. 2. Depress plunger on solution hose against inside wall of solution tank. If solution is flowing at this point, the system is O.K. If no solution flows, check the quick disconnect for lint and other foreign matter. 3. Replace with diaphragm repair kit. 4. Clean jets on wand or tool.
Uneven spray from jet. Spray weak or uneven.	1. Clogged strainer in solution tank.  2. Clogged jet.	1. Unscrew strainer and remove lint and any other foreign material from screen. 2. Remove and clean.
Leaking or stuck solution valve.	1. Foreign material in valve.  2. Loose brass hex nut. 3. Valve worn or seals worn.	1. Remove brass hex plug, clean valve and replace. 2. Reseal hex and plug. 3. Replace worn parts with solution valve repair kit.
Pump motor not working.	1. Loose wiring 2. Defective pump pressure switch 3. Motor burnout	1. Tighten wiring 2. Replace with new pressure switch assembly 3. Replace pump motor
Pump pressure low	1. Clogged screens on  2. Punctured pump diaphragm. 3. Defective rectifier or motor. 4. Pump not primed	1. Unscrew strainer in solution tank remove lint and any other foreign material from screen. 2. Replace with diaphragm repair kit. 3. Replace. 4. Plug priming hose into solution connection and place end in solution tank. Run pump for 4 minutes
Pump pressure varies.	1. Worn carbon brushes. 2. Defective pump pressure control switch.	1. Replace brushes. 2. Replace.

## **WARRANTY**

The manufacturer warrants to the original purchaser that products manufactured are free from defects of workmanship and material, provided such goods are installed, operated and maintained in accordance with written manuals or other instructions for a period of 5 years from date of purchase on housings and frame, 3 years on heater, 1 year on pump, vac motor, and parts and workmanship. In case you as our customer, meet any trouble with your machine, contact your Powr-Flite representative who will be happy to be of service to you and will take care of the warranty settlement.

**NOTE:** Alterations and changes made to the machine without written approval of the manufacturer and use of unapproved spare parts will not be covered by warranty.

***Powr-Flite***<sup>®</sup>  
**COMMERCIAL FLOOR CARE EQUIPMENT**

*A Tacony Company*  
3101 Wichita Court • Ft. Worth, TX 76140-1710