

Power-Flite[®]

COMMERCIAL FLOOR CARE EQUIPMENT

Model B2000 Battery Burnisher

OPERATING INSTRUCTIONS

COMMERCIAL BATTERY BURNISHER

CONGRATULATIONS

YOU HAVE JUST ACQUIRED A HIGH QUALITY BATTERY BURNISHER. PLEASE READ THIS MANUAL CAREFULLY, BEFORE OPERATING YOUR NEW BURNISHER. KEEP MANUAL ON HAND FOR FURTHER REFERENCES.



Save These Instructions

SAVE THESE INSTRUCTIONS FOR FUTURE REFERENCE

*When using an electrical cleaner, basic precautions should be followed.

*Read all instructions before using burnisher.

OPERATING INSTRUCTIONS

1. Make sure burnish pad is on and attached properly. See "Pad changing instructions".
2. Adjust pressure on burnish pad by turning "Caster knob" clockwise to reduce pressure on burnish pad.
3. Move "Toggle switch" to "On" position; green light will be on.
4. Check "Battery condition meter" before operating. Meter should be in the "working range" to operate.
5. Adjust handle to proper operating position height by lifting pin at right side of handle and raising or lowering the handle to desired position. Then insert pin in nearest hole.
6. Twist handgrips forward to operate.
7. Check "RPM meter" for proper gauge pressure. See "Adjusting pad pressure" for instructions.

PAD CHANGING INSTRUCTIONS

1. Tilt machine back toward handle. Front of machine should be off of the ground about 10-12 inches.
2. Unscrew blue "Pad retainer" by turning counter clockwise. Blue retainer must be removed before replacing pad.
3. Remove pad for replacement.
4. Replace blue "Pad retainer" and tighten by turning clockwise. Tighten blue retainer until it bottoms out. Do not over tighten.

ADJUSTING PAD PRESSURE

1. With machine turned on and handgrips in the operating position, check "RPM meter" for pressure:
 - a. Black area – pressure is too low.
 - b. Green area – pressure is good.
 - c. Red area – pressure is too high.
2. To adjust to desired pressure:
 - a. Turn "Caster knob" clockwise to raise pad and reduce pressure.
 - b. Turn "Caster knob" counterclockwise to lower pad and increase pressure.
3. For the best performance, "RPM meter" should be kept in the "green" area. A green arrow above the green area indicates the best pressure.
4. Note: Too much pad pressure may trip the fuse.

REPLACE FUSE

1. Move "Toggle Switch" cover.
2. Disconnect the wires from the "Positive terminal" of the last battery (the one nearest the handle).
3. Remove the "Rear panel." The handle is attached to the rear panel by unscrewing the 10 bolts.
4. Disconnect wires running from the "Handle" to the "Chassis."

5. Unscrew the "Fuse" located in the lower left hand corner of opening.
6. Screw the new "Fuse" to holding blocks.
7. Reattach wires running from the "Handle" to the "Chassis."
8. Replace "Rear panel" and secure with screws.
9. Reconnect wires to "Positive terminal."
10. Replace "Upper hood cover."
11. Raise the burnish pad by turning "Caster knob." See "Adjusting pad pressure" for instructions.

CHARGING BATTERIES

1. See instructions on charger before operating.
2. Move "Toggle switch" to "Off" position; green light will be off.
3. Lift and remove "Upper hood cover".
4. Place charger plug into mating plug on machine located on the left side behind batteries. Plug will only connect together one way. Charger plug must go into plug on the machine to function properly.
5. Then plug charger into grounded 110-volt outlet.

Note: Burnisher should not be turned on when charging.

6. Disconnect charger at 110-volt outlet and at burnisher before operating.

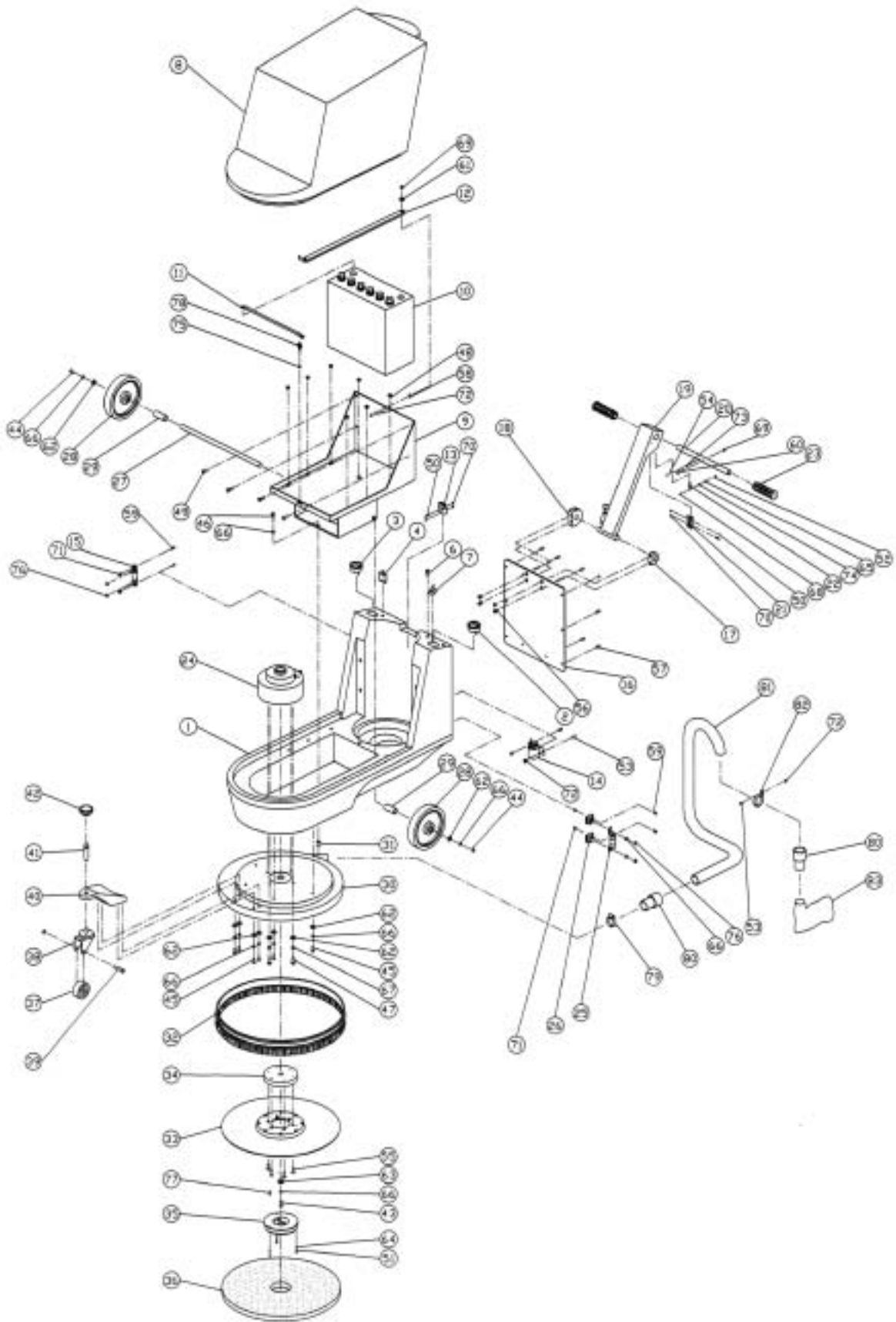
PREVENTIVE MAINTENANCE

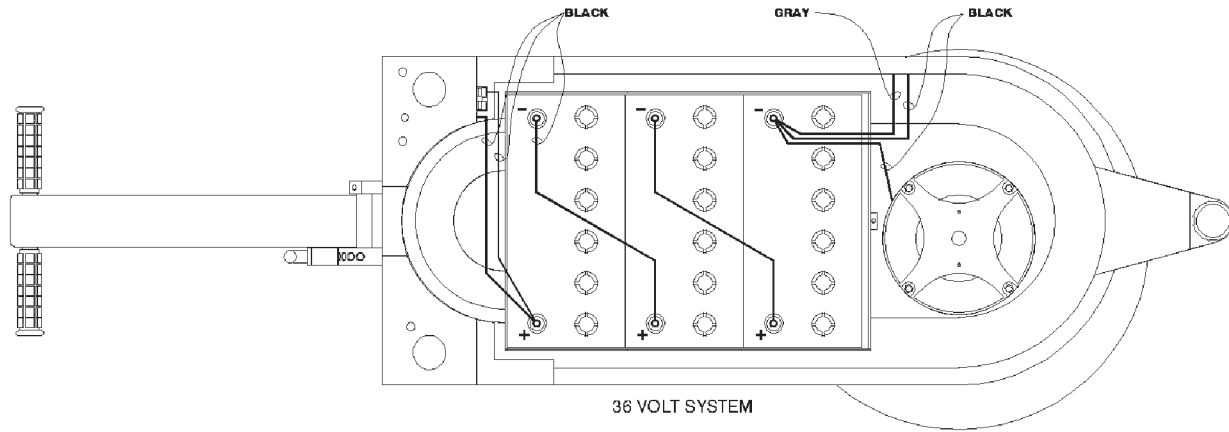
1. Check batteries for water level each week.
2. Check batteries with a hydrometer every month.
3. Check battery connections each week.
4. Clean battery terminals every month.
5. Empty vacuum bag after each use.
6. Check for any loose bolts or screws every month.

TROUBLE SHOOTING

1. Green light will not come on.
 - a. Check batteries.
 - b. Check battery connections.
 - c. Check circuit breaker.
 - d. Check wire connections to light.
 - e. Check light.
2. Motor will not run.
 - a. Check batteries.
 - b. Check battery connections.
 - c. Check wire connections to switch.
 - d. Check wire connections to motor.
 - e. Check motor.
 - f. Check circuit breaker.
3. Circuit breaker is tripped.
 - a. Check pad pressure.
 - b. Check motor.
 - c. Check wires.

Model B2000 Parts





Model B2000 Parts

| Ref # | Qty | Part # | Description |
|-------|-----|--------|------------------------------|
| 1 | 1 | | Lower Body Housing |
| 2 | 1 | MB2 | Battery Condition Meter |
| 3 | 1 | MB3 | RPM Meter |
| 4 | 1 | MB40 | 10A Circuit Breaker |
| 6 | 1 | MB6 | 36VDC Indicator Light- Green |
| 7 | 1 | MB7 | Toggle Switch |
| 8 | 1 | | Upper Hood Cover |
| 9 | 1 | | Battery Frame Assembly |
| 10 | 3 | | 12V Battery |
| 11 | 2 | | Battery Cable |
| 12 | 1 | | Battery Strap |
| 13 | 1 | | Electrical Plug |
| 14 | 1 | | DC Contactor |
| 15 | 1 | | Shunt |
| 16 | 1 | | Rear Panel |
| 17 | 1 | | Handle Adjusting Block |
| 18 | 1 | | Handle Positioning Block |
| 19 | 1 | | Handle Assembly |
| 20 | 1 | | Handle Tube |
| 21 | 1 | MB19 | Snap Switch |
| 22 | 1 | MB20 | Throttle Spring |
| 23 | 2 | X8007 | Handle Grip |
| 24 | 1 | MB44 | 2.5 hp. 36VDC Motor |
| 25 | 1 | MB45 | Fuse |
| 26 | 2 | | Fuse Block |
| 27 | 1 | MB24 | Axle |
| 28 | 2 | MB25 | Wheel |

| Ref # | Qty | Part # | Description |
|-------|-----|--------|--|
| 29 | 2 | MB26 | Wheel Spacer |
| 30 | 1 | | Pad Skirt |
| 31 | 1 | | Pad Skirt Spacer |
| 32 | 1 | | Brush Skirt |
| 33 | 1 | MB32 | 21" Pad Driver Assembly |
| 34 | 1 | | Pad Driver Adapter |
| 35 | 1 | F44P | Pad Retainer |
| 36 | 1 | | Buffer Pad |
| 37 | 1 | MB36 | Caster Wheel |
| 38 | 1 | MB41 | Caster Yoke |
| 39 | 1 | MB42 | Caster Axle and Nut |
| 40 | 1 | MB43 | Caster Mount Bracket |
| 41 | 1 | MB38 | Caster Stem Adapter |
| 42 | 1 | MB39 | Caster Knob |
| 44 | 2 | | 5/16-18x 5/8 Hex Head Bolt |
| 45 | 8 | | 5/16-18x 3/4 Hex Head Bolt |
| 46 | 1 | | 5/16-18x 1 1/2 Hex Head Bolt |
| 48 | 7 | | 5/16-18x 1/2 Slotted Flat Head Machine Screw |
| 49 | 4 | | 5/16-18x 1 Slotted Flat Head Machine Screw |
| 50 | 4 | | #6-32x 1 Slotted Pan Head Machine Screw |
| 51 | 3 | | #8-32x 1/2 Slotted Pan Head Machine Screw |
| 52 | 1 | | #10-32x 1 Slotted Pan Head Machine Screw |

| Ref # | Qty | Part # | Description |
|-------|-----|--------|--|
| 53 | 3 | | 1/4-20x 3/4 Slotted Pan Head Machine Screw |
| 54 | 1 | | #8-32x 1 Slotted Round Head Machine Screw |
| 55 | 6 | | 1/4-20x 1 Flat Head Socket Cap screw |
| 56 | 4 | | 5/16-18x 3/4 Flat Head Socket Cap Screw |
| 57 | 10 | | 1/4-20x 5/8 Button Head Socket Cap Screw |
| 58 | 1 | | 1/4-20x 1 1/2 Button Head Socket Cap Screw |
| 59 | 4 | | #10-32x 3/4 Socket Head Cap Screw |
| 60 | 1 | | 1/4-20x 1 1/2 Socket Head Cap Screw |
| 62 | 10 | | 5/16 Flat Washer |
| 63 | 1 | | 5/16 Washer |
| 64 | 1 | | #8 Lock Washer |
| 65 | 3 | | #10 Lock Washer |
| 66 | 18 | | 5/16 Lock Washer |
| 67 | 4 | | 3/8 Washer |
| 68 | 1 | | #10-32 Flanged Nut |
| 69 | 2 | | 1/4-20 Lock Nut |
| 70 | 4 | | #6-32 Flanged Nut |
| 71 | 4 | | #10-32 Flanged Nut |

The Powr-Flite Limited Warranty

The manufacturer warrants to the original purchaser that products manufactured are free from defects, provided such goods are installed, operated and maintained in accordance with written manuals or other instructions for a period of 1 year from date of purchase on workmanship, motor, and parts, switch, and yoke. In case you, as our customer, meet any trouble with your machine, contact a Powr-Flite representative, who will be happy to be of service to you and will take care of any warranty issues.

Powr-Flite®

COMMERCIAL FLOOR CARE EQUIPMENT

A Tacony Company

Ft. Worth, TX 76140

1-800-880-2913