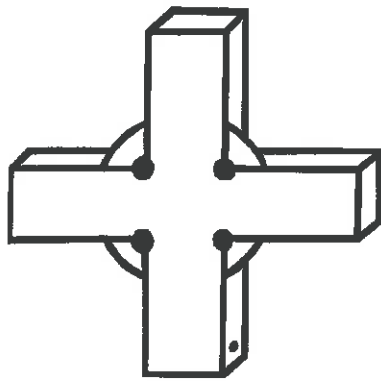


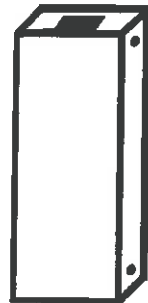
Thank you for your purchase!

We hope you enjoy your Celtic Chisholm Cross statue as much as we enjoyed creating it for you! With its prominent, heraldic Medieval sword and abundant Celtic knotwork, we were awestruck by the original cross located near Erchless Castle in Scotland. Your Celtic Cross is cast in quality designer resin. We suggest the following simple steps to ensure a successful assembly of this Gothic icon.

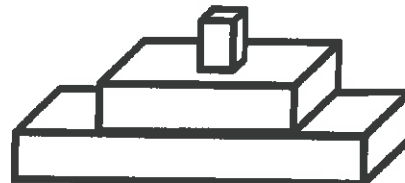
Included Parts



A



B



C



D



E

Parts List

(1) A	(1) D
(1) B	(3) E
(1) C	

Step 1:

Please slide part (B) down on top of part (C).

Step 2:

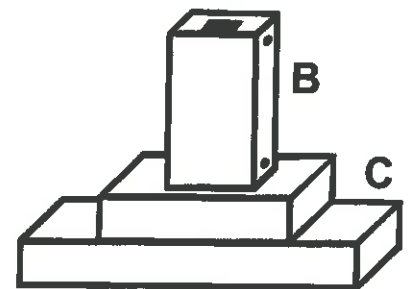
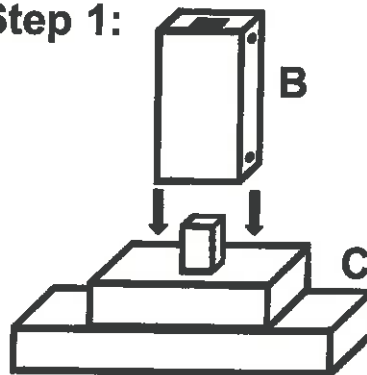
Then slide part (D) down onto part (B).

Step 3:

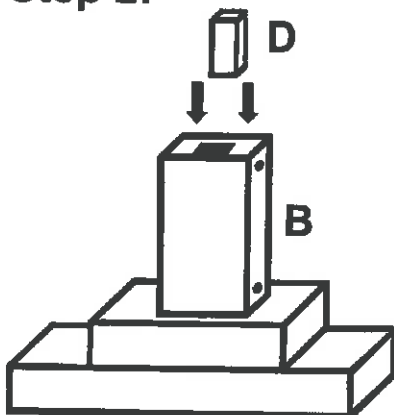
Then slide part (A) down onto part (D). Finally, you will need to screw part (E) one at a time into each screw hole.

For extra support in windy weather, sand can be added through the resealable plug opening on the underside of base "C".

Step 1:



Step 2:



Step 3:

