

design **TOSCANO**[®]

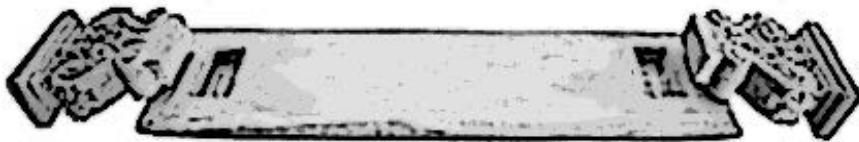
**INSTRUCTIONS
FOR YOUR PRODUCT**

NE-70403
Cambridge Yard Architectural Garden Bench

Thank you for your recent purchase of this Design Toscano hand-crafted piece of garden art. We have taken great care to create this piece especially for you. Please review these instructions and assemble this piece with care.

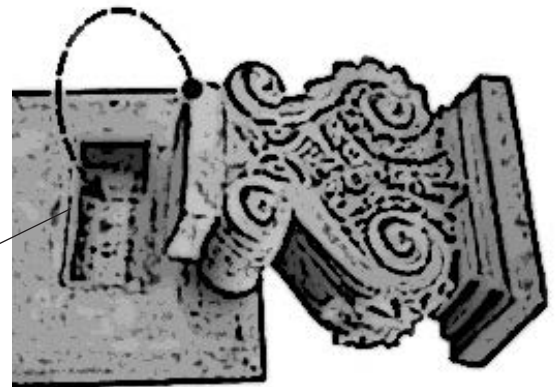
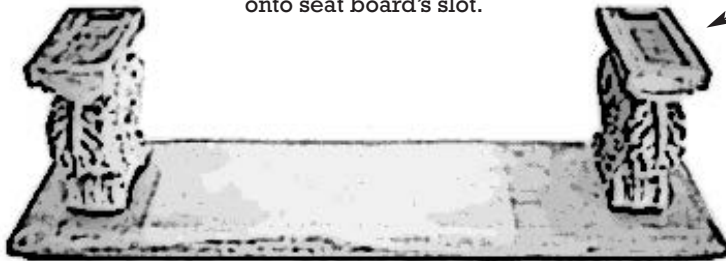
Step 1

Lay the seat board upside down on floor.



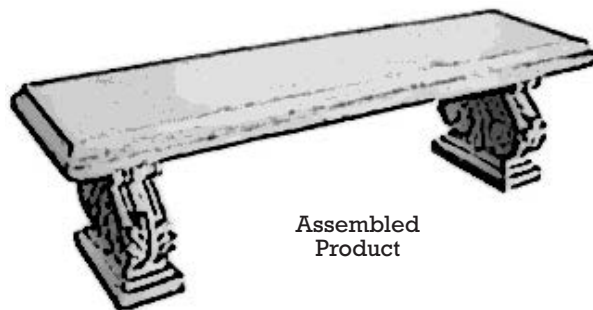
Step 2

Attach the two legs' dowel onto seat board's slot.



Step 3

Once done, you can now turn the bench in upright position.



Assembled Product

©Copyright 2018, Design Toscano, Inc.

1.800.525.0733
DESIGNTOSCANO.COM

**THANK YOU FOR
YOUR PURCHASE**